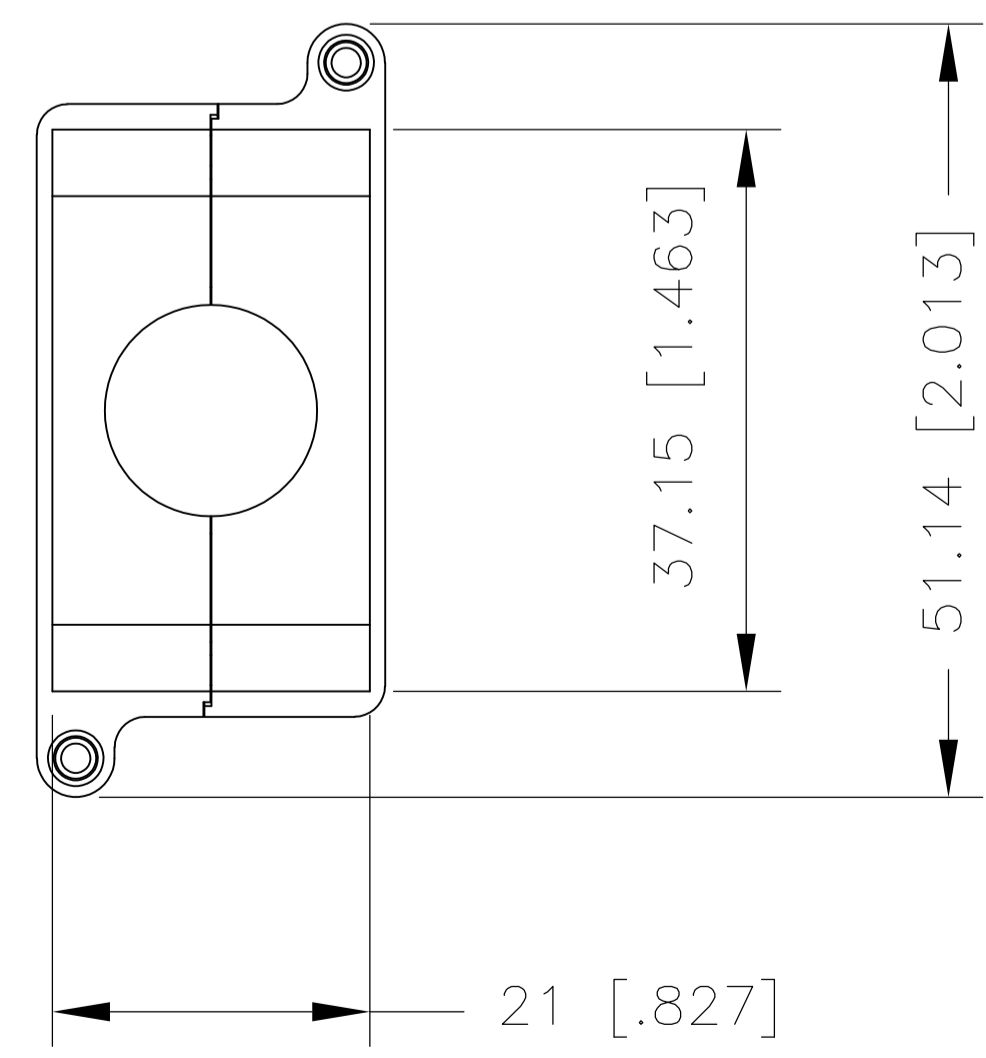
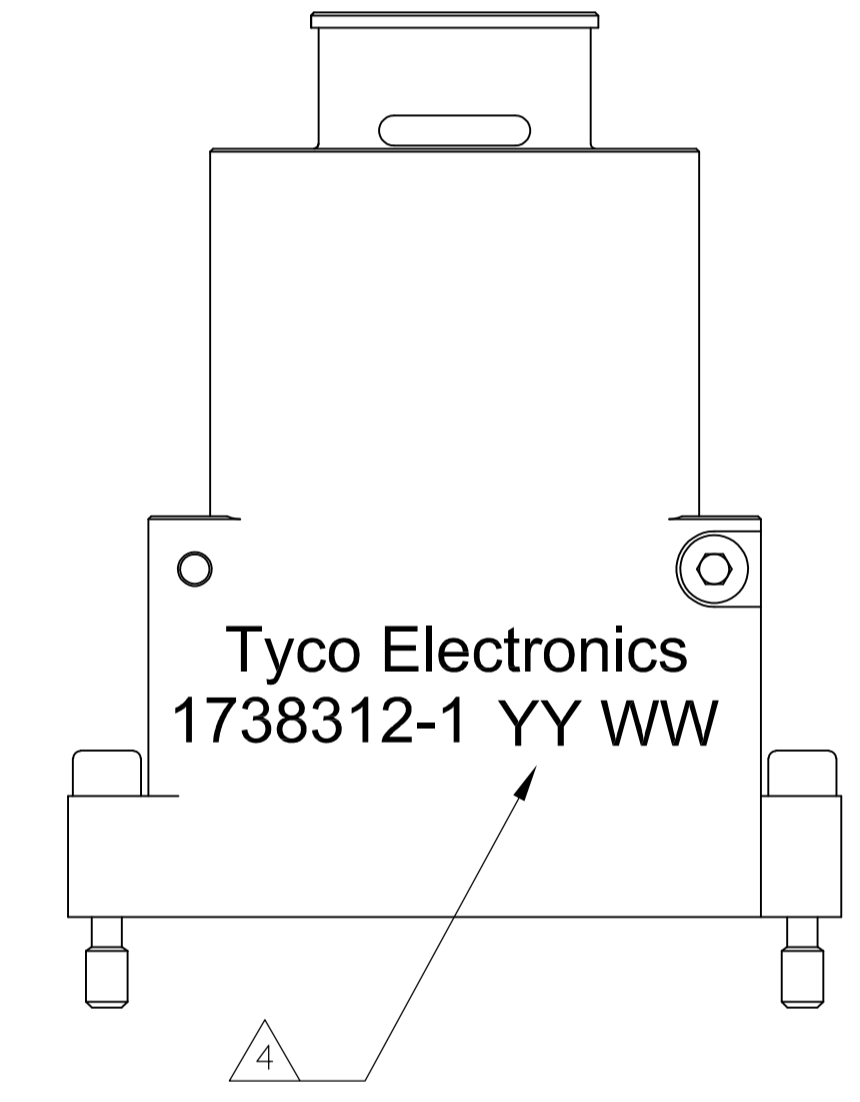
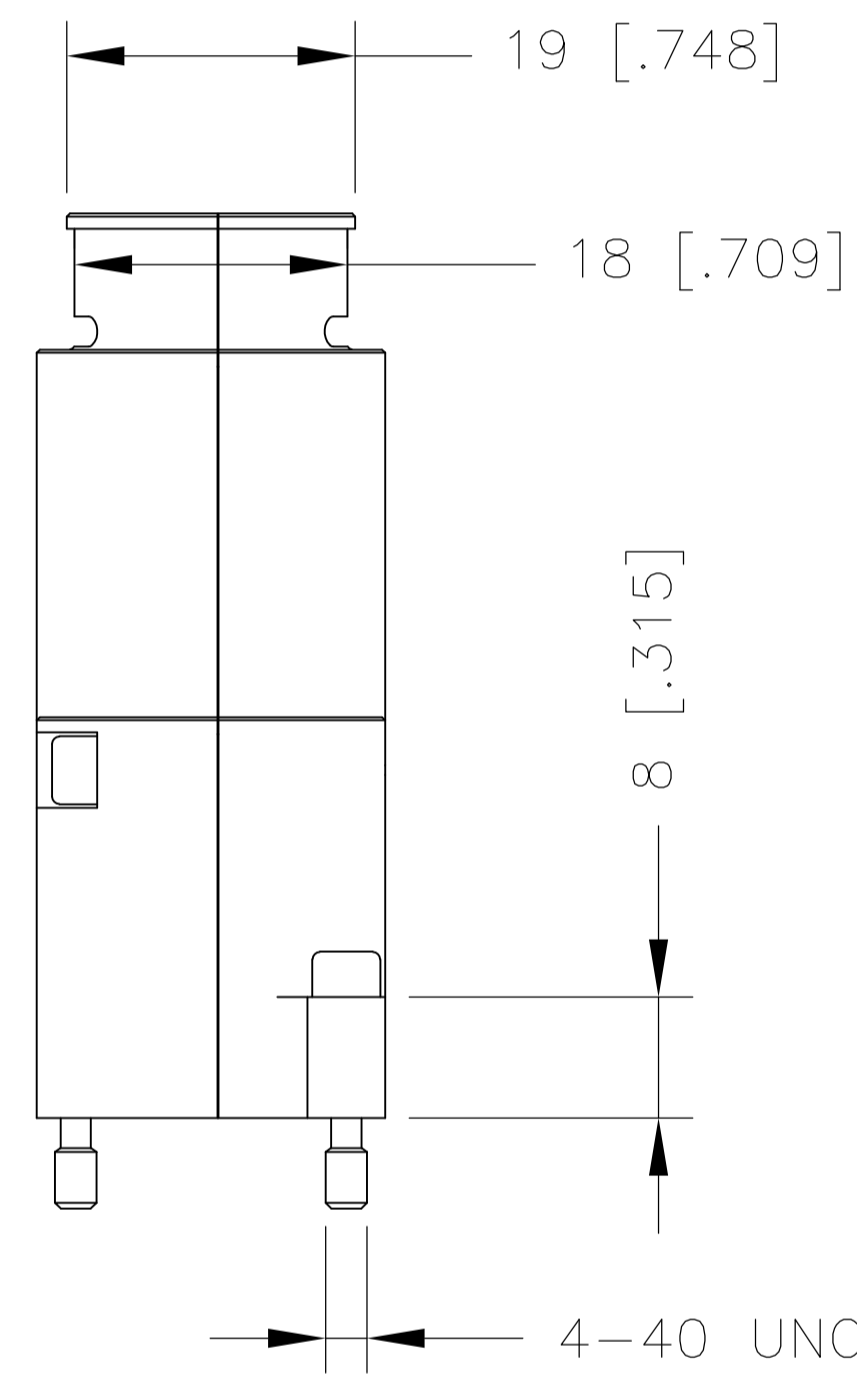
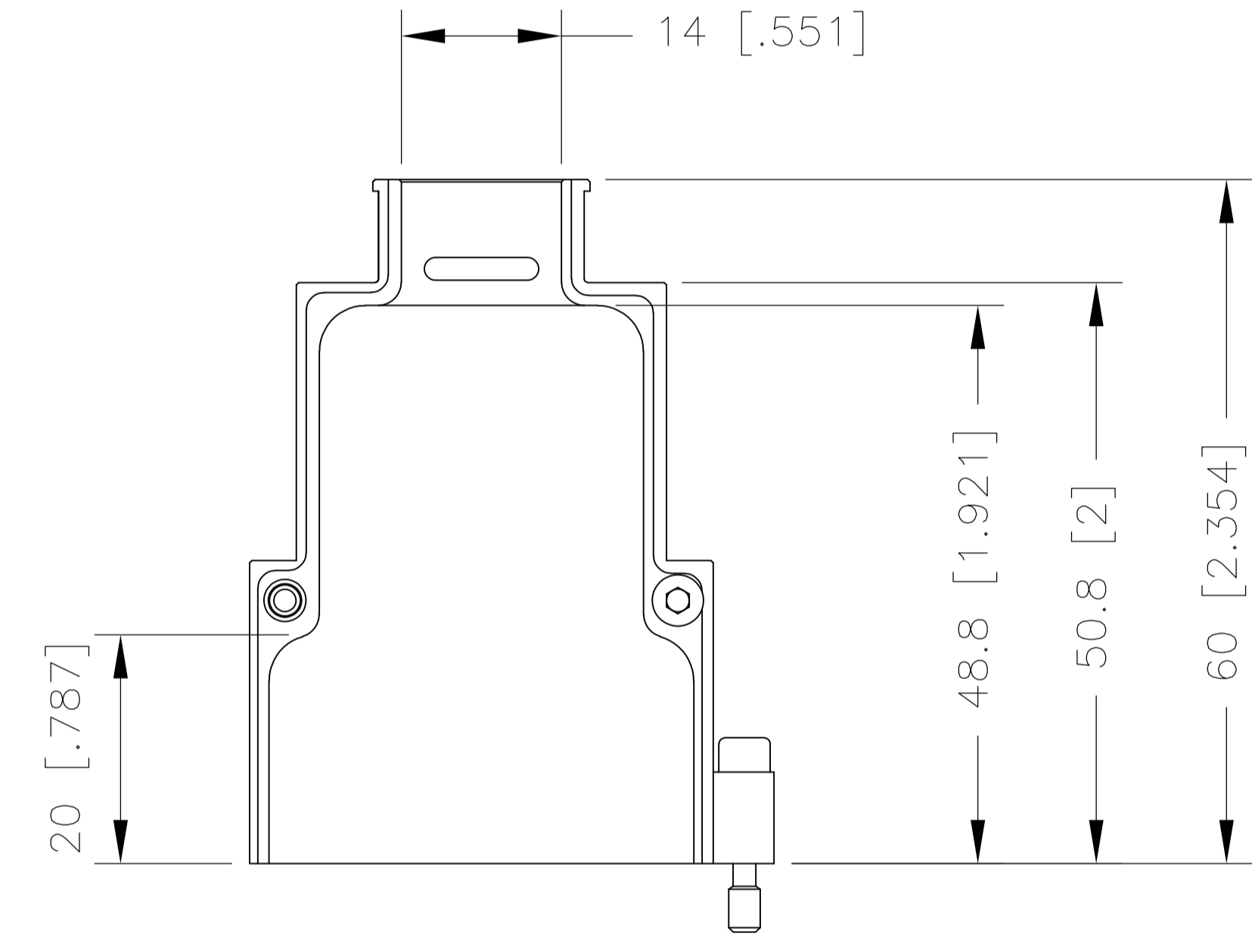
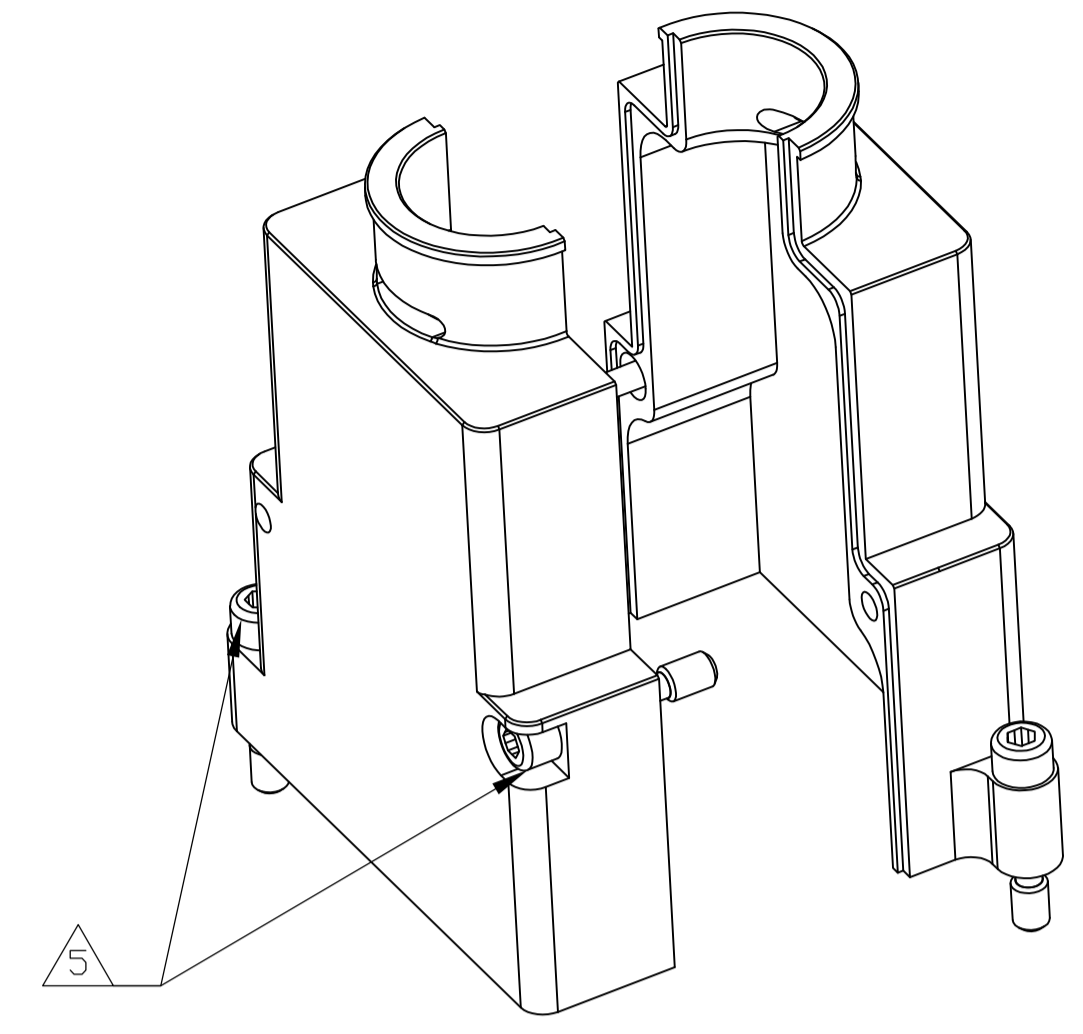
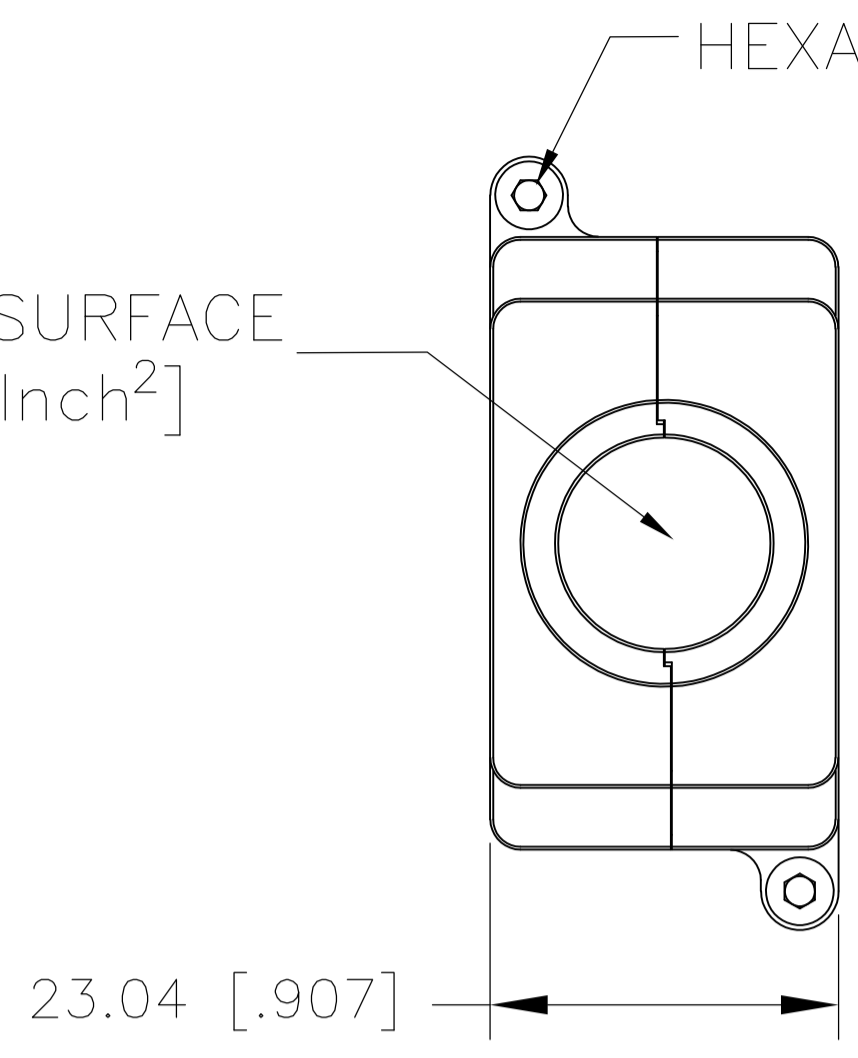


LOC	DIST	REVISIONS				
DF	00	REV	DESCRIPTION	DATE	BY	APPV
		0	CONVERTED RADIALL DWG TO TYCO ACAD DWG	09/03	RF	JM
		1	REVISED	22APR10	RF	JM

HEXAGONAL 5/64
 CABLE OUTLET SURFACE
 154mm² [0.24 Inch²]



- 1 SHELL : ALUMINUM ALLOY
SCREWS : STAINLESS STEEL 303
- 2 SHELLS : ELECTROLYTIC NICKEL OVER ELECTROLESS NICKEL
- 3. THIS PRODUCT IS SOLD BY TYCO ELECTRONICS UNDER A LICENSE FROM RADIALL SA.
- 4 DATE CODE - YEAR & WEEK (YY-WW)
- 5 SCREWS ARE CAPTIVE MOUNTED
LOCKING TORQUE FOR 4-40 SCREW = 0,8 Nm [7 in-lb]

THIS PRINT IS
PRELIMINARY
 UNQUALIFIED PRODUCT
 CONTACT PRODUCT ENGINEERING
 BEFORE USING THIS PRINT

1738312-1
 PART NUMBER

THIS DRAWING IS A CONTROLLED DOCUMENT.		DIN R FLAIG SEP03	Tyco Electronics Corporation Harrisburg, PA 17105-3608	
DIMENSIONS: mm		CHK J MOSIER SEP03	Tyco Electronics	
TOLERANCES UNLESS OTHERWISE SPECIFIED:		APVD J MOSIER SEP03	NAME GPR-B1 STRAIGHT BACKSHELL	
0. PLC ± .005	1. PLC ± .005	APPLICATION SPEC		
2. PLC ± .005	3. PLC ± .005	SIZE CASE CODE DRAWING NO		
4. PLC ± .005	ANGLES ± .005	RESTRICTED TO		
MATERIAL 1	FINISH 2	WEIGHT	A1 00779 C=1738312	SCALE 2:1 SHEET 1 OF 1 REV 1
CUSTOMER DRAWING		SCALE 2:1 SHEET 1 OF 1 REV 1		