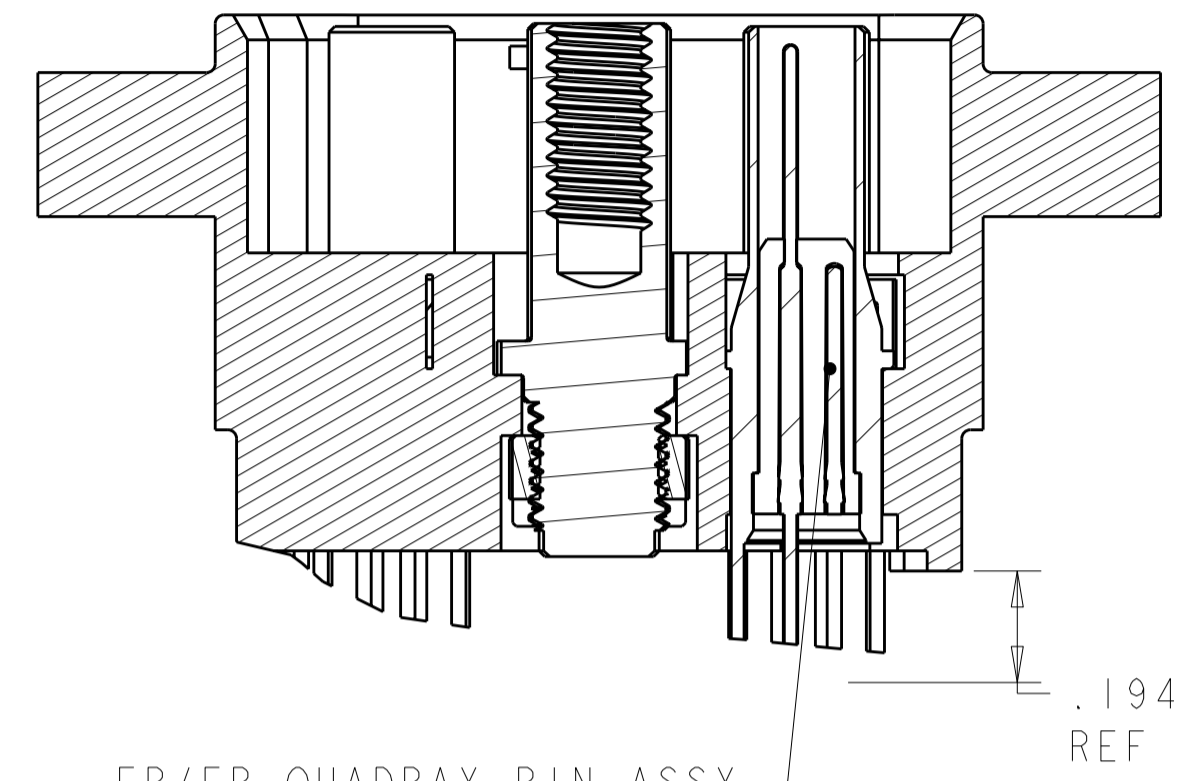
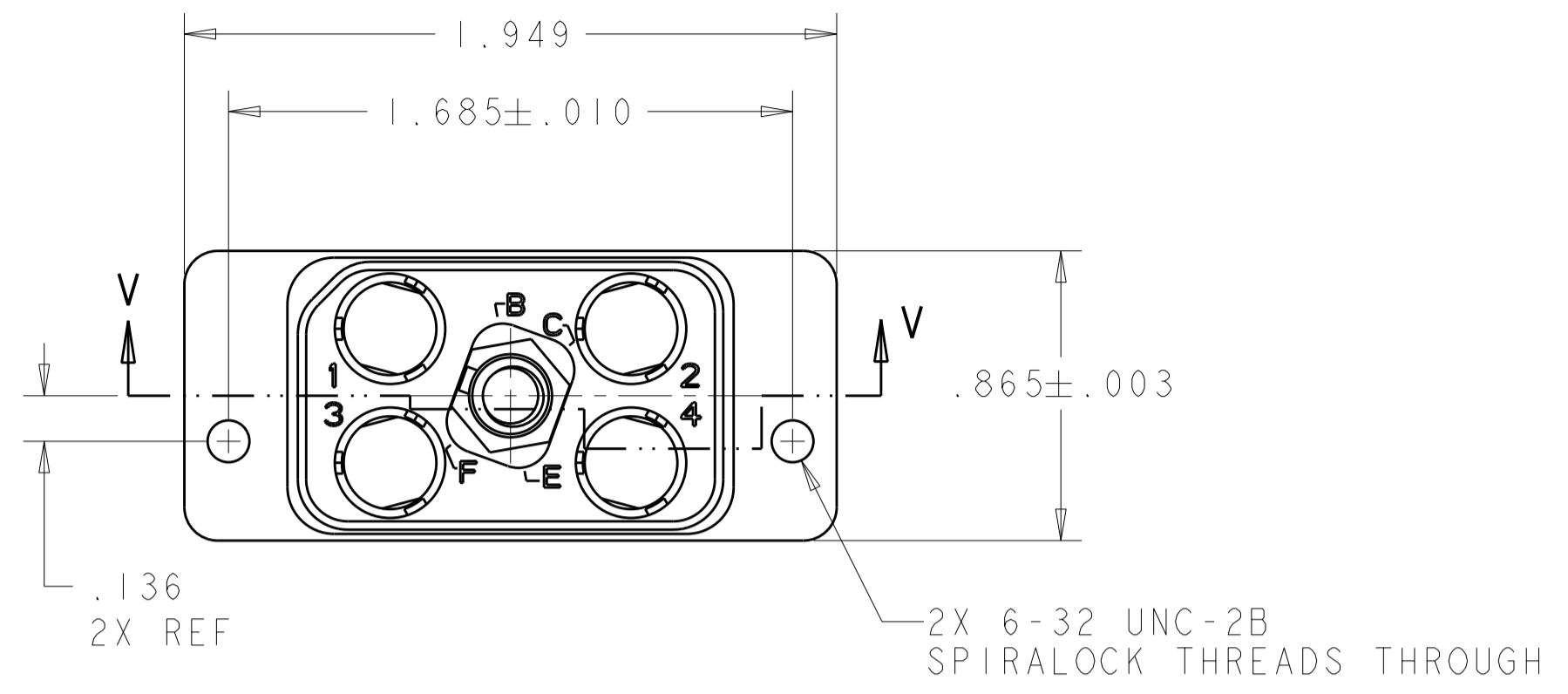
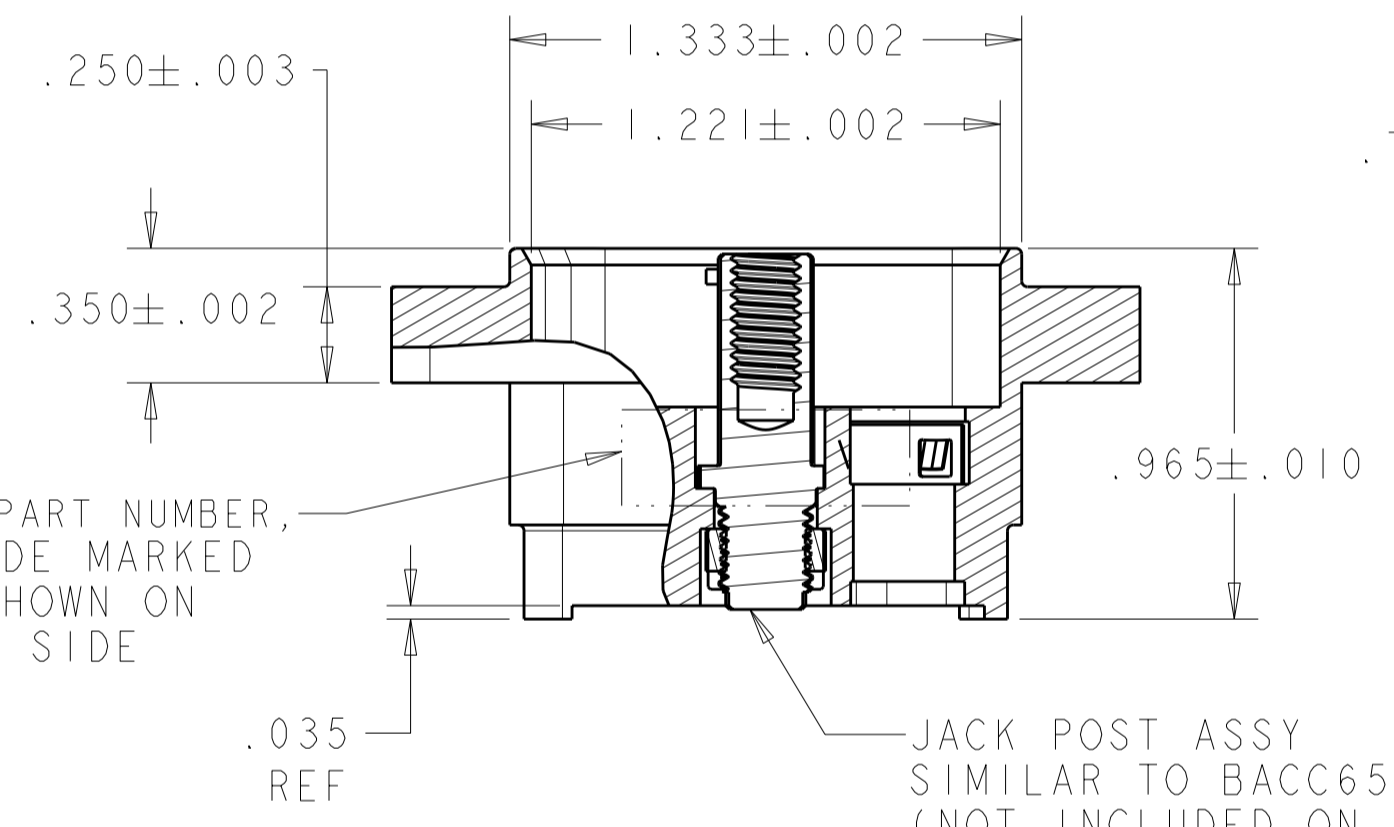


THIS DRAWING IS UNPUBLISHED. RELEASED FOR PUBLICATION
 © COPYRIGHT BY TYCO ELECTRONICS CORPORATION. ALL RIGHTS RESERVED.

LOC	DIST	REVISIONS					
DF	A5	P	LTR	DESCRIPTION	DATE	DWN	APVD
		A		REV PER ECO-07-011604	22JUN07	BH	RW
		B		REV PER ECO 08-00829	17MAR2008	CT	DM



FR/FR QUADRAX PIN ASSY
 4 REQD, NOT INCLUDED,
 MUST BE ORDERED SEPARATELY;
 SEE DRAWING 1445626; VARIOUS
 TAIL LENGTHS ARE AVAILABLE



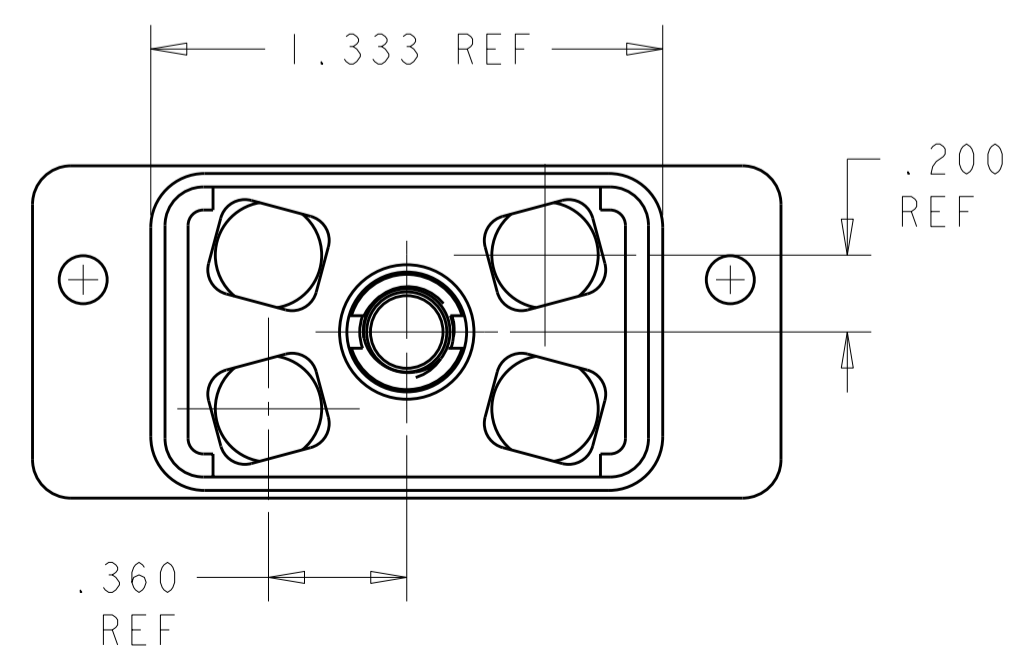
TE LOGO, TE PART NUMBER,
 AND DATE CODE MARKED
 APPROX AS SHOWN ON
 NEAR OR FAR SIDE

SECTION V-V

JACK POST ASSY
 SIMILAR TO BACC65AG
 (NOT INCLUDED ON -1)
 FLAT PLZN W/ 1604896-2

RETENTION CLIP, 4 REQD
 MATL: STAINLESS STEEL
 FINISH: PLATED SILVER

RECEPTACLE SHELL
 MATL: ALUMINUM ALLOY
 FINISH: ELECTROLESS NICKEL

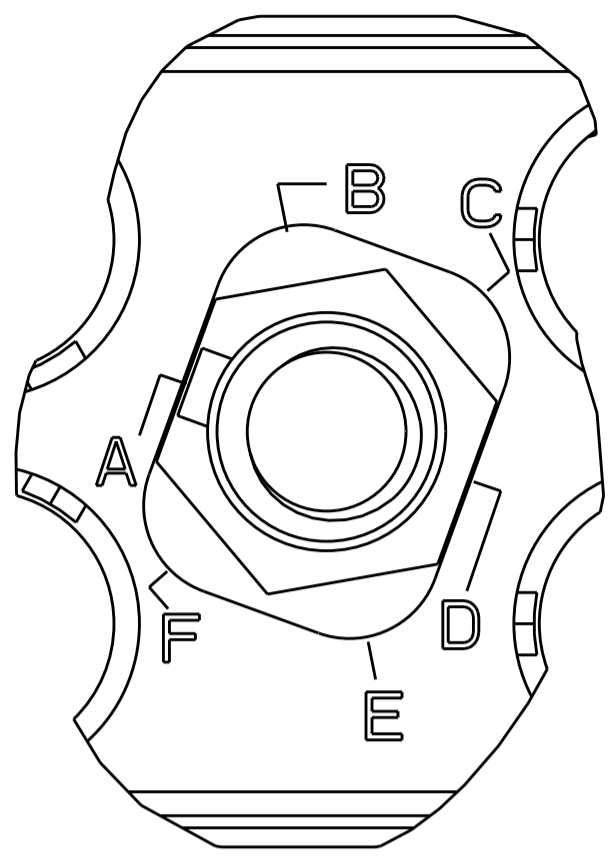


DUST COVER P/N ---	DESCRIPTION	PART NO.
DUST COVER INCLUDED; SEE SHT 2	WITH JACKSCREW (FLAT POLARIZATION)	1738949-2
DUST COVER NOT INCLUDED	WITHOUT JACKSCREW	1738949-1

<small>THIS DRAWING IS A CONTROLLED DOCUMENT FOR TYCO ELECTRONICS CORPORATION. IT IS SUBJECT TO CHANGE AND THE CONTROLLING ENGINEERING ORGANIZATION SHOULD BE CONTACTED FOR THE LATEST REVISION.</small>		DWN G.DOUTY 5-17-04 CHK G.DOUTY 5-17-04 APVD G.DOUTY 5-17-04	Tyco Electronics Tyco Electronics Harrisburg, PA 17105-3608
DIMENSIONS: INCHES 	TOLERANCES UNLESS OTHERWISE SPECIFIED: 0 PLC ± 1 PLC ± 2 PLC ± 3 PLC ± 4 PLC ± ANGLES ± FINISH	PRODUCT SPEC - APPLICATION SPEC - WEIGHT -	NAME ASSEMBLY, RECEPTACLE, QUADRAX, PWB MOUNT, FR/FR, 4 POSN SIZE A2 CAGE CODE 00779 DRAWING NO. 1738949 RESTRICTED TO -
MATERIAL -		CUSTOMER DRAWING	
		SCALE 2:1	SHEET 1 OF 2 REV B

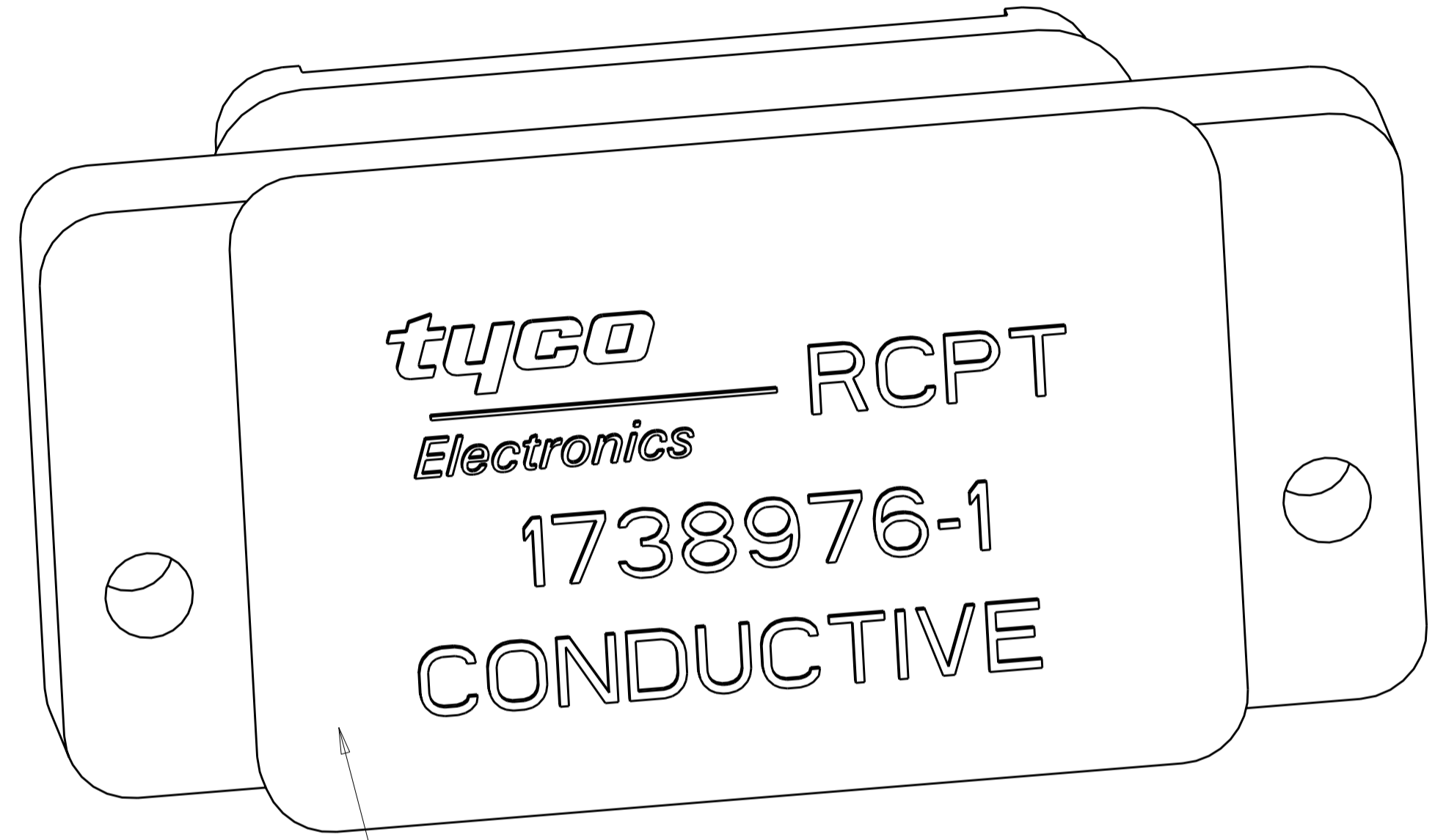
THIS DRAWING IS UNPUBLISHED. RELEASED FOR PUBLICATION 20
 © COPYRIGHT 20 BY TYCO ELECTRONICS CORPORATION. ALL RIGHTS RESERVED.

LOC	DIST	REVISIONS					
DF	A5	P	LTR	DESCRIPTION	DATE	DWN	APVD
		-		SEE SHEET 1			



**1738949-2
(FLAT PLZN)**

(PLZN CODES, A THRU F, SHOWN FOR REF ONLY; MARKING ON SHELL WILL ONLY SHOW CODES B,C,E AND F)



ESD DUST COVER; PART NUMBER 1738976-1
 INCLUDED WITH ASSEMBLY PART NUMBER 1738949-2

SHOWN WITH DUST COVER

<small>THIS DRAWING IS A CONTROLLED DOCUMENT FOR TYCO ELECTRONICS CORPORATION. IT IS SUBJECT TO CHANGE AND THE CONTROLLING ENGINEERING ORGANIZATION SHOULD BE CONTACTED FOR THE LATEST REVISION.</small>		DWN 5-17-04 G DOWTY CHK - APVD - PRODUCT SPEC - APPLICATION SPEC - WEIGHT - CUSTOMER DRAWING	Tyco Electronics Harrisburg, PA 17105-3608 NAME ASSEMBLY, RECEPTACLE, QUADRAX, PWB MOUNT, FR/FR, 4 POSN SIZE A2 CAGE CODE 00779 DRAWING NO C-1738949 RESTRICTED TO - SCALE 5:1 SHEET 2 OF 2 REV B
DIMENSIONS: IN 	TOLERANCES UNLESS OTHERWISE SPECIFIED: 0 PLC ± 1 PLC ± 2 PLC ± 3 PLC ± 4 PLC ± ANGLES ± FINISH		