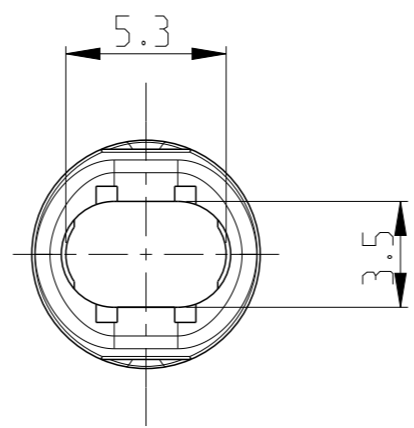
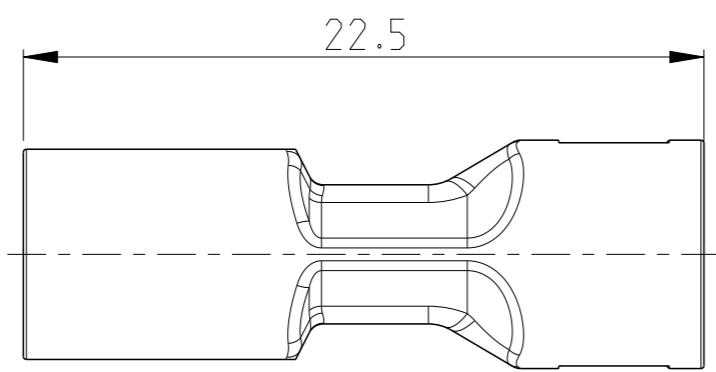
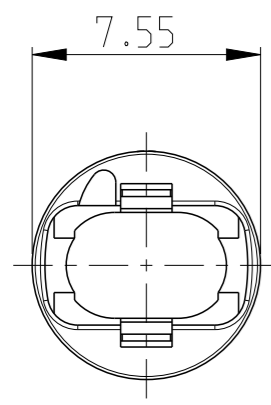
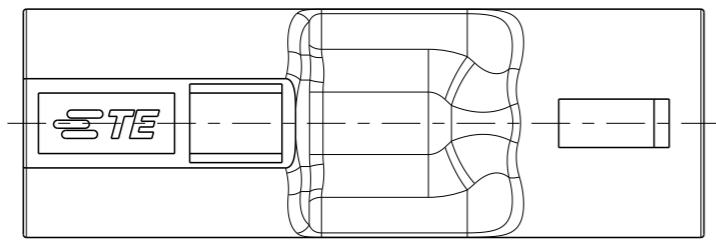


THIS DRAWING IS UNPUBLISHED. RELEASED FOR PUBLICATION 2005

© COPYRIGHT 2005 Tyco Electronics AMP GmbH ALL RIGHTS RESERVED.

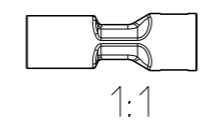
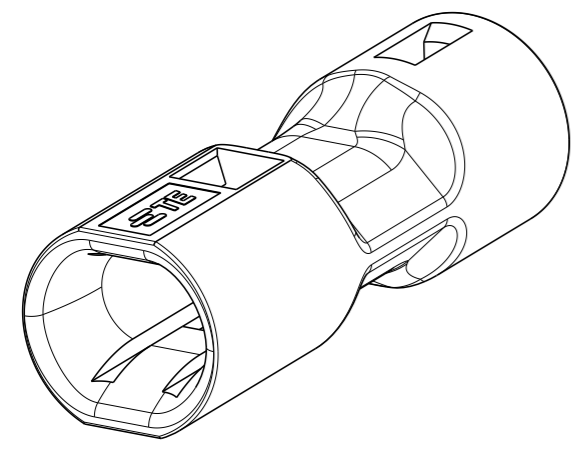
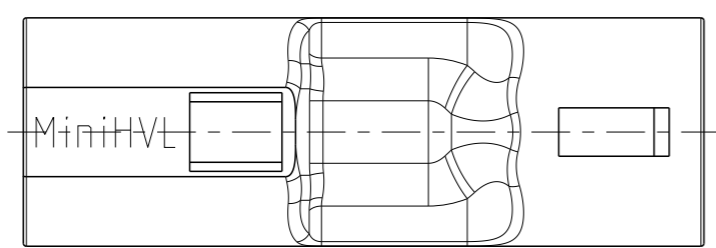
LOC	DIST	REVISIONS					
		P	LTR	DESCRIPTION	DATE	DWN	APVD
A1	-		J1	REVISED PER ECR-14-008397	10JUN2014	RS	DD
			K	REVISED PER ECR-15-011040	04AUG2015	RS	PO



Remarks:

- Space inside designed for cable type H03VVH2-F 2x0,75mm² (Details see Application Spec.)
- Counterparts see drawings for PN 1740259, 1740261 and 1740262 and corresponding products of the MiniHVL family

△ Material is improved against UV influence



0-1740260-2	K	BLACK
0-1740260-1	K	WHITE △
PN	REV.	COLOR

THIS DRAWING IS A CONTROLLED DOCUMENT.		DWN	H.ATZMANN	08FEB2005	STE TE Connectivity												
DIMENSIONS: mm		CHK	M.OFENLOCH	08FEB2005													
TOLERANCES UNLESS OTHERWISE SPECIFIED:		APVD	S.SKADE	29SEP2006													
<table border="0"> <tr><td>0 PLC</td><td>±0.2</td></tr> <tr><td>1 PLC</td><td>±0.2</td></tr> <tr><td>2 PLC</td><td>±0.2</td></tr> <tr><td>3 PLC</td><td>±</td></tr> <tr><td>4 PLC</td><td>±</td></tr> <tr><td>ANGLES</td><td>±1°</td></tr> </table>		0 PLC	±0.2	1 PLC		±0.2	2 PLC	±0.2	3 PLC	±	4 PLC	±	ANGLES	±1°	PRODUCT SPEC	108-94018	NAME
0 PLC	±0.2																
1 PLC	±0.2																
2 PLC	±0.2																
3 PLC	±																
4 PLC	±																
ANGLES	±1°																
MATERIAL TPE		FINISH	-	APPLICATION SPEC	114-18751												
		WEIGHT	0.5 g	SIZE	A3												
		Customer Drawing		CAGE CODE	00779												
				DRAWING NO	1740260												
				RESTRICTED TO	-												
				SCALE	4:1												
				SHEET	1 OF 1												
				REV	K												