

THIS DRAWING IS UNPUBLISHED.

RELEASED FOR PUBLICATION

2005

© COPYRIGHT 2005

Tyco Electronics AMP GmbH

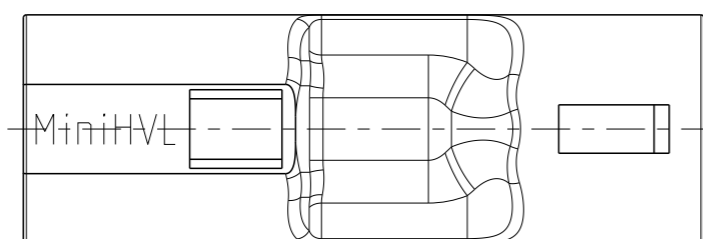
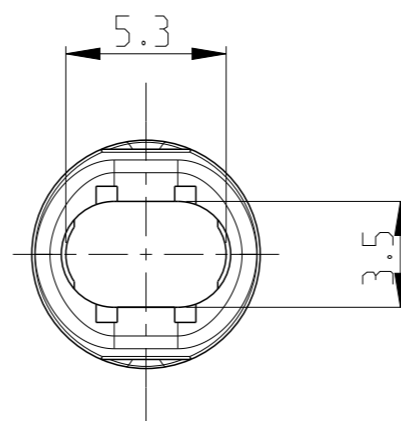
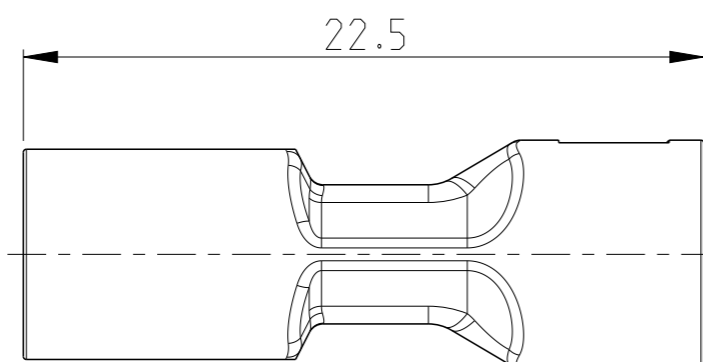
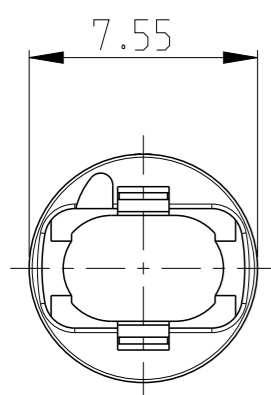
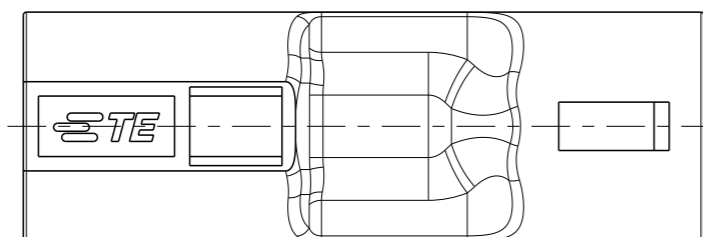
ALL RIGHTS RESERVED.

LOC
A1

DIST
-

REVISIONS

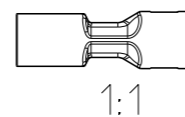
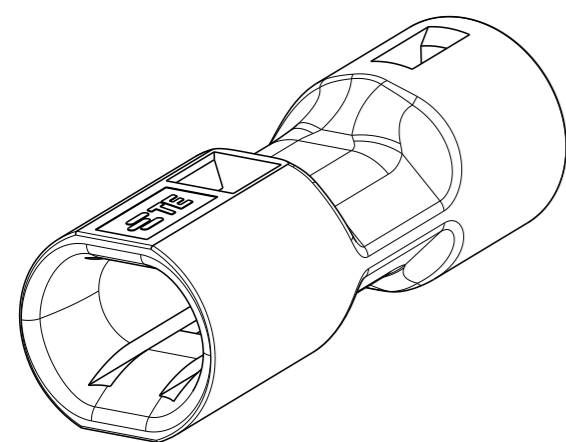
P	LTR	DESCRIPTION	DATE	DWN	APVD
	J1	REVISED PER ECR-14-008397	10JUN2014	RS	DD
	K	REVISED PER ECR-15-011040	04AUG2015	RS	PO



Remarks:

- Space inside designed for cable type H03VVH2-F 2x0,75mm² (Details see Application Spec.)
- Counterparts see drawings for PN 1740259, 1740261 and 1740262 and corresponding products of the MiniHVL family

Material is improved against UV influence



0-1740260-2	K	BLACK
0-1740260-1	K	WHITE
PN	REV.	COLOR

THIS DRAWING IS A CONTROLLED DOCUMENT.		DWN H.ATZMANN 08FEB2005	TE Connectivity 7.5mm MiniHVL Connector System TUBE					
DIMENSIONS: mm		CHK M.OFENLOCH 08FEB2005				NAME	RESTRICTED TO	
TOLERANCES UNLESS OTHERWISE SPECIFIED:		APVD S.SKADE 29SEP2006				SIZE	CAGE CODE	DRAWING NO
0 PLC ±0.2 1 PLC ±0.2 2 PLC ±0.2 3 PLC ± 4 PLC ± ANGLES ±1°		PRODUCT SPEC 108-94018				A3	00779	©=1740260
MATERIAL TPE		FINISH -	WEIGHT	SCALE				
			0.5 g	4:1				
Customer Drawing			SHEET	1 OF 1	REV K			