

THIS DRAWING IS UNPUBLISHED.

RELEASED FOR PUBLICATION

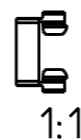
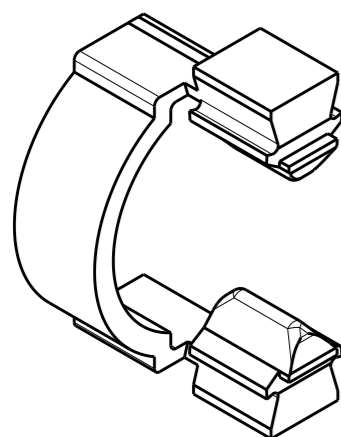
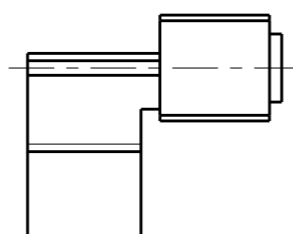
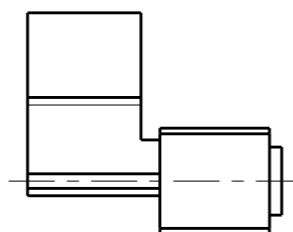
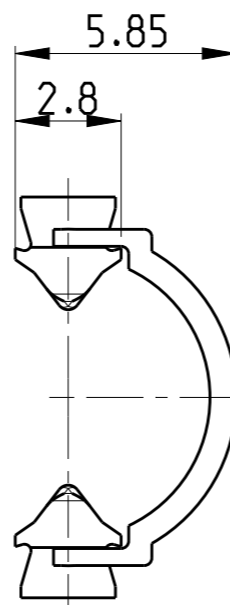
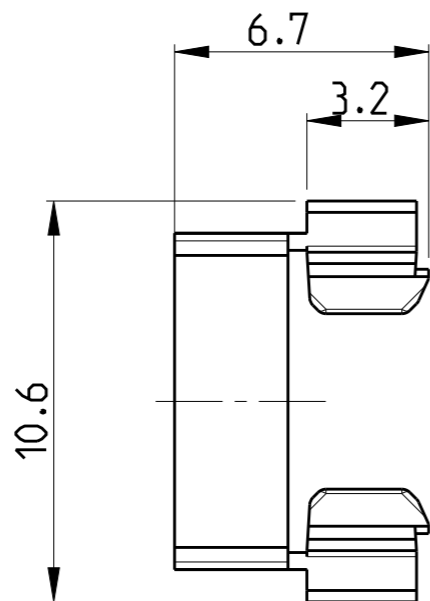
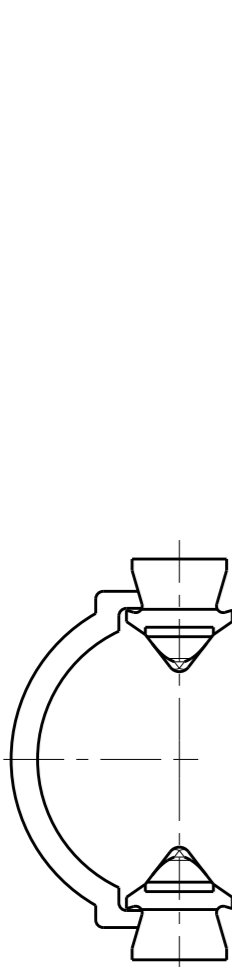
2005

© COPYRIGHT 2005 BY -

ALL RIGHTS RESERVED.

REVISIONS

P	LTR	DESCRIPTION	DATE	DWN	APVD
	H	REVISED PER ECR-17-016389	14NOV2017	RK	JL



Notes:

1. Ring Clip used for Tube PN 1740260-x
2. Tool needed for assembling
Tube and Ring Clip (see Application Spec.)
Half ring will be sheared off

0-1740261-2	D	BLACK (ANTHRACITE)
0-1740261-1	D	NATURAL (WHITE)
PN	REV.	COLOR

THIS DRAWING IS A CONTROLLED DOCUMENT.		DWN H.ATZMANN 08FEB2005		
DIMENSIONS: mm		CHK M.OFENLOCH 08FEB2005		
TOLERANCES UNLESS OTHERWISE SPECIFIED:		APVD T.GERLACH 08FEB2005		
0 PLC ±0.2 1 PLC ±0.2 2 PLC ±0.2 3 PLC ± 4 PLC ± ANGLES ±1°		PRODUCT SPEC 108-94018		
MATERIAL PA 6		APPLICATION SPEC 114-18751	NAME 7.5mm MiniHVL Connector System Ring Clip	
FINISH -		WEIGHT 0.1 g	SIZE A3	CAGE CODE 00779
-		CUSTOMER DRAWING	DRAWING NO C-1740261	RESTRICTED TO -
		SCALE 5:1	SHEET 1 OF 1	REV H