

THIS DRAWING IS UNPUBLISHED.

RELEASED FOR PUBLICATION

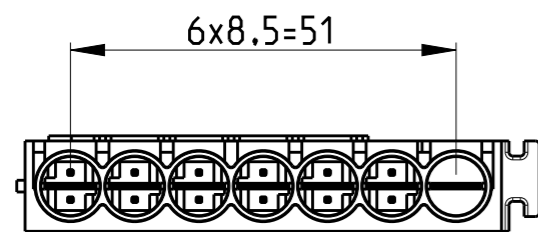
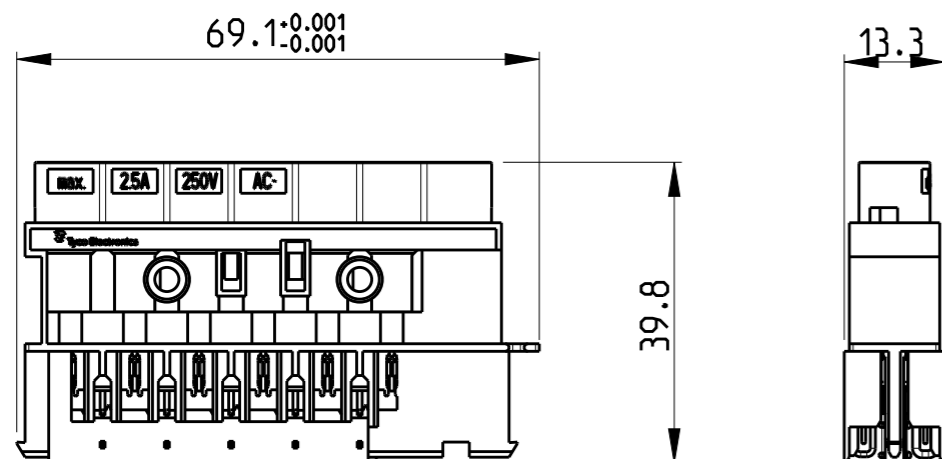
2006

© COPYRIGHT 2006 BY -

ALL RIGHTS RESERVED.

REVISIONS

P	LTR	DESCRIPTION	DATE	DWN	APVD
D		ECR-17-003481	10MAY2017	SK	PO
D1		ECR-18-015176	05OCT2018	GCM	MZ
D2		ADDED PN 1--2	15OCT2018	MZ	MZ
D3		PN 1--2 RELEASED FOR PRODUCTION	07NOV2018	MZ	MZ



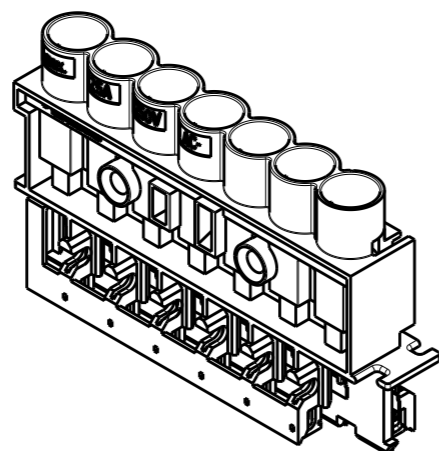
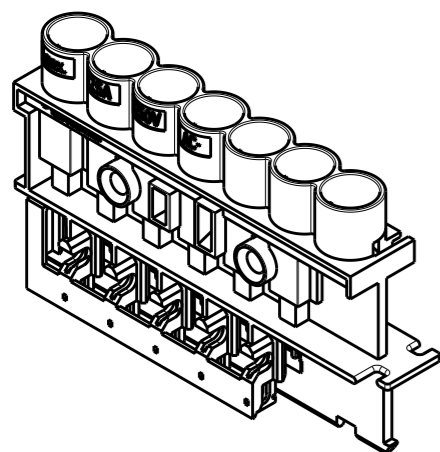
NOTES:

- PARTS PRELOADED WITH CONTACTS
- MATERIAL HOUSING: PA6/WEIGHT ~11 g  
MATERIAL CONTACTS: CuNiSi/WEIGHT ~2.8 g
- FOR 7 POS. VERSION ADD CODING RING PN 1740316-1

△ OBSOLETE

6 POS VERSION AS SHOWN

7-POS VERSION FOR SWITCH APPLICATION AS SHOWN ABOVE



1:1

△4	HV-2 (1X)	LV-2 (6x)	1-1740317-2	A	BLACK (ANTHRACITE)	DISTRIBUTOR 6 POS. 7A/125V DC
		LV-2 (6x)	0-1740317-9	B	YELLOW	DISTRIBUTOR 6 POS. 7A/125V DC
△4	HV-2 (1X)	LV-1 (6x)	0-1740317-8	B	LIGHT GREY	DISTRIBUTOR 7 POS. 7A/125V AC
		LV-1 (6x)	0-1740317-7	B	LIGHT GREY	DISTRIBUTOR 6 POS. 7A/125V AC
△4	HV-2 (1X)	HV-3 (6x)	0-1740317-6	B	BLUE	DISTRIBUTOR 7 POS. 6A/125V AC
△4		HV-3 (6x)	0-1740317-5	B	BLUE	DISTRIBUTOR 6 POS. 6A/125V AC
△4	HV-2 (1X)	HV-1 (6x)	0-1740317-4	C	BLACK (ANTHRACITE)	DISTRIBUTOR 7 POS. 2.5A/250V AC
		HV-1 (6x)	0-1740317-3	C	BLACK (ANTHRACITE)	DISTRIBUTOR 6 POS. 2.5A/250V AC
	HV-2 (1X)	HV-1 (6x)	0-1740317-2	C	WHITE	DISTRIBUTOR 7 POS. 2.5A/250V AC
		HV-1 (6x)	0-1740317-1	C	WHITE	DISTRIBUTOR 6 POS. 2.5A/250V AC
SWITCH		WAY	ASS'Y PN	Rev.	COLOR	REMARKS
CODING						

THIS DRAWING IS A CONTROLLED DOCUMENT.

DIMENSIONS:		TOLERANCES UNLESS OTHERWISE SPECIFIED:	
mm			
0 PLC	±0.2	1 PLC	±0.2
2 PLC	±0.2	3 PLC	±
4 PLC	±	ANGLES	±1°
MATERIAL	FINISH		
-	-		

DWN	SKA	13APR2006
CHK	WH	13APR2006
APVD	TG	13APR2006
PRODUCT SPEC		
108-94019		
APPLICATION SPEC		
114-20139		
WEIGHT	~13.8 g	
CUSTOMER DRAWING		



NAME  
7.5mm MiniHVL CONNECTOR SYSTEM CONTACT AND HOUSING ASSEMBLY 6 AND 7 POSITION

SIZE	CAGE CODE	DRAWING NO	RESTRICTED TO
A3	00779	C-1740317	-
SCALE		1:1	SHEET 1 OF 1
REV		D3	