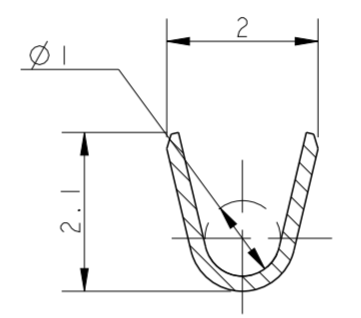
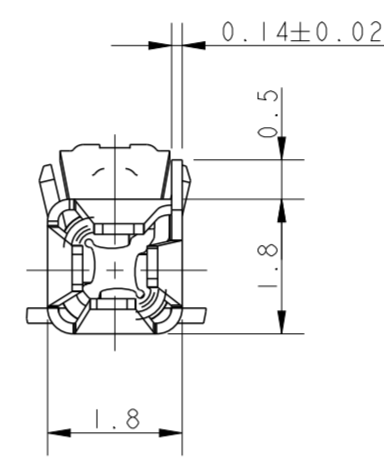
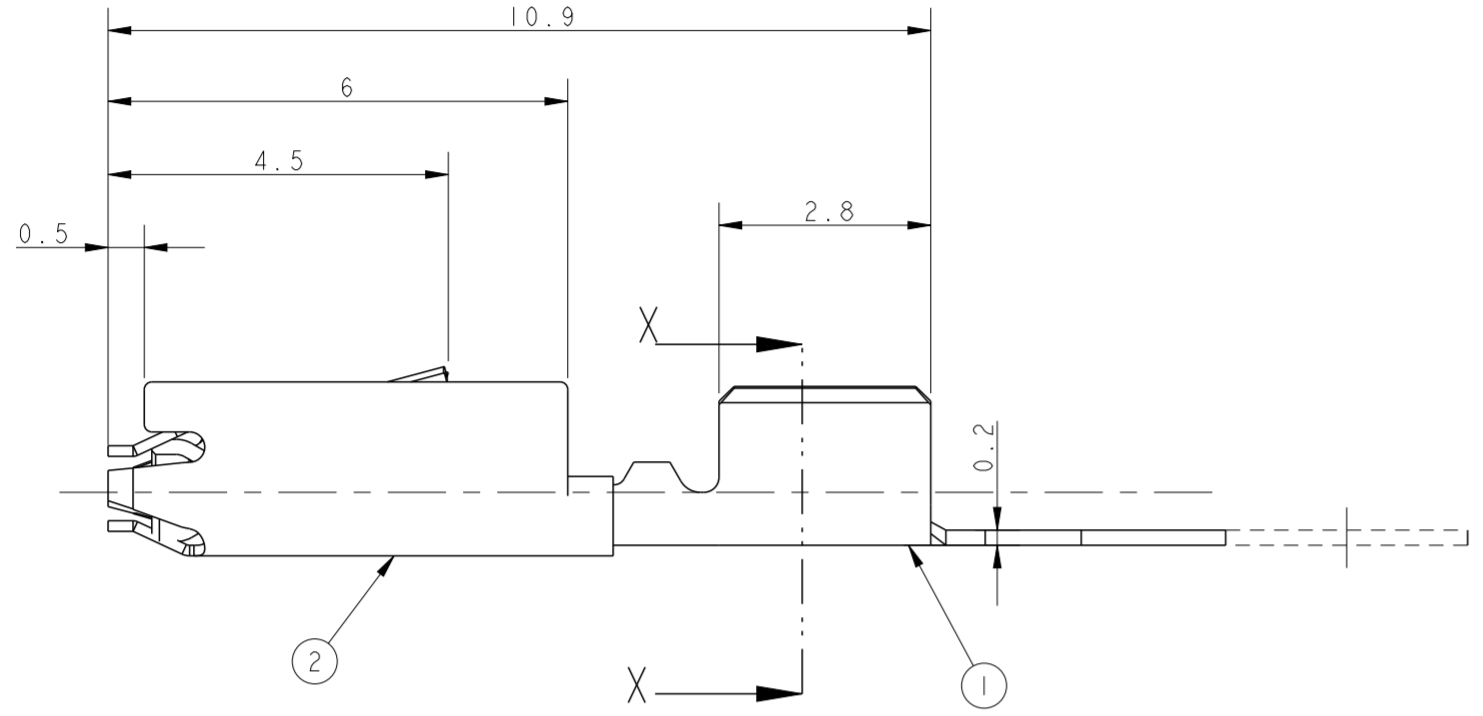
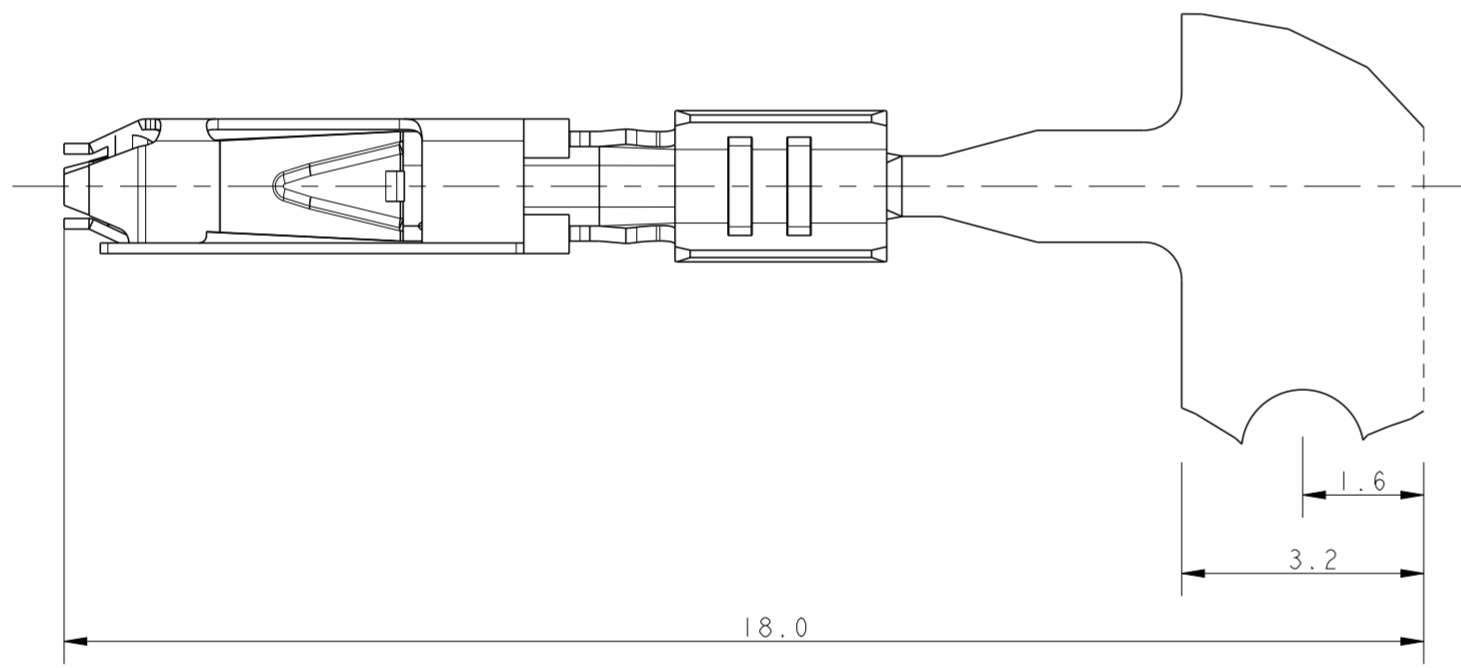


THIS DRAWING IS UNPUBLISHED. RELEASED FOR PUBLICATION  
 © COPYRIGHT 2007 BY - ALL RIGHTS RESERVED.

REVISIONS					
P	LTR	DESCRIPTION	DATE	DWN	APVD
D		Changed spring design	04FEB2010	AV	GT
E		UPDATED PART REVISION	24FEB2011	AV	GT
F		REVISED PER ECR-17-004903	09MAY2017	SK	JL
FI		ALIGNED PART REVISIONS	19NOV2020	MZ	PO

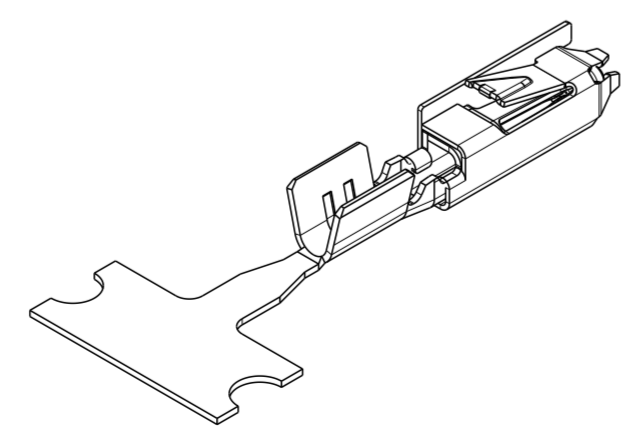


SECTION X - X



Bemerkungen  
NOTES

1. Passend zu Stiftkontakt siehe Zeichnung: AMP: 1740335  
SUITABLE FOR PIN CONTACT SEE DRAWING:
2. Kontakt geeignet für Drahtgrößenbereich 0.5...0.75mm<sup>2</sup>  
CONTACT ACCEPTS WIRE-SIZE 0.5...0.75mm<sup>2</sup>
3. Halbautomatisches Werkzeug und Handzange  
(je für 2 crimps in einem Durchgang) verfügbar  
SEMI-AUTOMATIC TOOL AND HANDTOOL  
(EACH FOR 2 CRIMPS IN ONE CYCLE) AVAILABLE:
4. Abmantellänge für crimp ist 3,5 mm  
STRIPPED CABLE LENGTH FOR CRIMP IS 3.5mm
5. Gewicht ca. 0,12g  
WEIGHT ABOUT 0.12g
6. Werkzeugvorschub 7,0 mm  
DIE FEED 7.0 mm
7. Aufgerollt auf Kartonspule  
REELED ON PAPER-REEL



SCALE 5:1

DIRECTION OFF TOP OF REEL	LOOSE PIECE	PART NO	REV	POS	DESCRIPTION	MATERIAL	FINISH OF CONTACT AREA
9	-1740336-8	1740336-7	F	2	SPRING	X10CrNi 18 8	
				1	BODY	CuNiSi	GOLD PLATED
9	-1740336-6	1740336-4	F	2	SPRING	X10CrNi 18 8	
				1	BODY	CuNiSi	TIN PLATED
9	1740336-3	1740336-1	F	2	SPRING	X10CrNi 18 8	
				1	BODY	CuNiSi	BLANK

DIRECTION OFF TOP OF REEL Fertig-zustand  M 1:1	THIS DRAWING IS A CONTROLLED DOCUMENT.		DWN PRAVEEN 24 APR 06	TE Connectivity				
			CHK S. SKADE 24 APR 06					
	DIMENSIONS: mm		TOLERANCES UNLESS OTHERWISE SPECIFIED: 0 PLC ± 1 PLC ±0.2 2 PLC ± 3 PLC ± 4 PLC ± ANGLES ± FINISH SEE TABLE		APVD T. GERLACH 24 APR 06 PRODUCT SPEC 108-94018 APPLICATION SPEC 114-18751 WEIGHT -		NAME MICRO QUADLOK SYSTEM SOCKET CONTACT -	
	MATERIAL SEE TABLE		CUSTOMER DRAWING		SIZE A2	CAGE CODE 00779	DRAWING NO C-1740336	RESTRICTED TO
				SCALE 10:1		SHEET 1 OF 1		