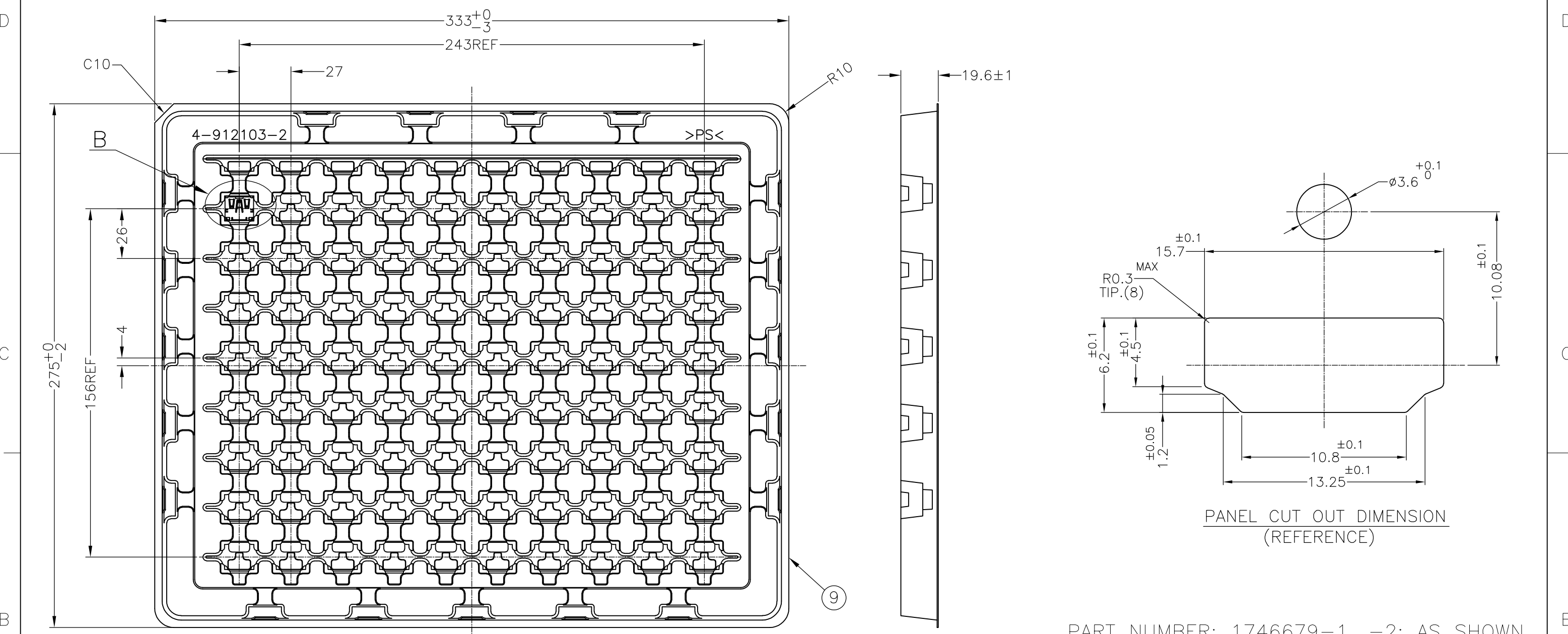


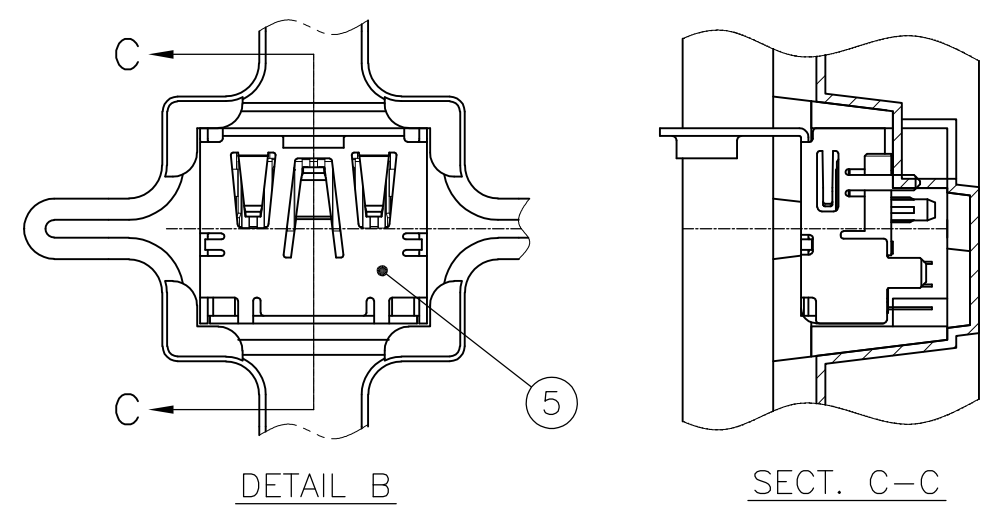
THIS DRAWING IS UNPUBLISHED. RELEASED FOR PUBLICATION
 © COPYRIGHT - By - ALL RIGHTS RESERVED.

LOC	DIST	REVISIONS			
P	LTR	DESCRIPTION	DATE	DWN	APVD
J	-	SEE SHEET 1	-	-	-



PANEL CUT OUT DIMENSION (REFERENCE)

PART NUMBER: 1746679-1, -2; AS SHOWN



1746679-2	SEE SHEET 1	80	CONNECTOR	⑤
1746679-1	SEE SHEET 1	80	CONNECTOR	⑤
	PS	1	TRAY	④
PART NO	MATERIAL	QTY.	DISCRIPTION	ITEM

THIS DRAWING IS A CONTROLLED DOCUMENT.		DWN -		TE Connectivity HDMI 19 POS RECEPTACLE ASSY DIP TYPE -LEAD FREE-	
DIMENSIONS: MM		CHK -			
TOLERANCES UNLESS OTHERWISE SPECIFIED:		APVD -			
0 PLC ± 0.2 1 PLC ± 0.2 2 PLC ± 0.2 ± 0.3 3 PLC ± 0.2 4 PLC ± 0.2 ANGLES ± - FINISH		PRODUCT SPEC			
MATERIAL		APPLICATION SPEC		NAME	
		WEIGHT		SIZE	
CUSTOMER DRAWING		SCALE NTS		CAGE CODE 00779	
		SHEET 2 OF 2		DRAWING NO C-1746679	
		REV B1		RESTRICTED TO	