

THIS DRAWING IS UNPUBLISHED.

RELEASED FOR PUBLICATION

REVISIONS

© COPYRIGHT - TE Connectivity Ltd.

ALL RIGHTS RESERVED.

| P | LTR | DESCRIPTION     | DATE      | DWN | APVD |
|---|-----|-----------------|-----------|-----|------|
| A |     | INITIAL RELEASE | 30JUL2019 | RV  | DH   |

7012

\*

\*

\*

|  |          |
|--|----------|
| TERM. BLOCK PART NO.<br>32650-02               |          |
| HARDWARE ASSY PART NO.                         |          |
| STANDARD                                       | 32694-03 |
| W/K COILS                                      | 32694-10 |
| W/L27 COIL                                     | 32694-14 |
| W/L7,L21,L22 & L24 COILS                       | 32694-04 |
| PACKAGING ASSY PART NO.<br>32707-01 (STANDARD) |          |
| W/OPTION GZ                                    | 32707-06 |
| W/OPTION K                                     |          |
| W/OPTION P                                     |          |
| W/OPTION U                                     |          |
| W/OPTION W                                     |          |
| W/OPTION X                                     | 32849-01 |
| W/OPTION L                                     |          |
| W/OPTION LL                                    |          |
| W/OPTION T                                     |          |

| ENCL. CODE | NOMIAL VOLTAGE | FREQ. HZ | PART NO. |
|------------|----------------|----------|----------|
| A          | 120V           | 60       | 32274-01 |
| B          | 240V           | 60       | 32274-02 |
| C          | 480V           | 60       | 32274-03 |
| D          | 550V           | 60       | 32274-04 |
| E          | 24V            | 60       | 32274-05 |
| F          | 127V           | 50       | 32274-06 |
| G          | 240V           | 50       | 32274-07 |
| H          | 12V            | 60       | 32274-08 |
| I          | 6V             | 60       | 32274-09 |
| J          | 208V           | 60       | 32274-10 |
| K          | 120V<br>240V   | 60       | 32274-11 |
| K1         | 120V<br>240V   | 60       | 32274-12 |
| L1         | 12V            | 50       | 32274-13 |
| L2         | 24V            | 50       | 32274-14 |
| L3         | 48V            | 50       | 32274-15 |
| L4         | 380V           | 60       | 32274-16 |
| L5         | 208V           | 50       | 32274-17 |
| L6         | 380V           | 50       | 32274-18 |
| L7         | 120V           | 25-400   | 32274-19 |
| L8         | 110V           | 60       | 32274-20 |
| L9         | 220V           | 60       | 32274-21 |
| L10        | 440V           | 60       | 32274-22 |
| L12        | 110V           | 50       | 32274-23 |
| L13        | 220V           | 50       | 32274-24 |
| L15        | 415V           | 50       | 32274-25 |
| L16        | 440V           | 50       | 32274-26 |
| L17        | 500V           | 50       | 32274-27 |
| L18        | 550V           | 50       | 32274-28 |
| L19        | 48V            | 60       | 32274-29 |
| L20        | 70V            | 60       | 32274-30 |
| L21        | 208V           | 25-400   | 32274-31 |
| L22        | 240V           | 25-400   | 32274-32 |
| L23        | 32V            | 50       | 32274-33 |
| L24        | 440V           | 25-400   | 32274-34 |
| L25        | 120V           | 60       | 32274-35 |
| L26        | 277V           | 60       | 32274-36 |
| L27        | 208V<br>240V   | 60       | 32274-37 |
| L28        | 120V           | 60       | 32274-38 |

| TIME CODE | TIME RANGE  | TIME COMP. ASSY P/N | TIME HEAD ASSY P/N |
|-----------|-------------|---------------------|--------------------|
| A         | .1-1 SEC.   | 32302-01            | 32625-05           |
| B         | .5-5 SEC.   | 32302-02            |                    |
| C         | 1.5-15 SEC. | 32302-03            |                    |
| D         | 5-50 SEC.   | 32302-04            |                    |
| E         | 20-200 SEC. | 32302-05            | 32625-01           |
| F         | 1-10 MIN.   | 32302-06            |                    |
| H         | 3-30 MIN.   | 32302-07            |                    |
| I         | 6-60 MIN.   | 32302-08            |                    |
| J         | 3-120 CYC.  | 32302-09            | 32625-09           |
| K         | 1-300 SEC.  | 32302-10            | 32625-01           |


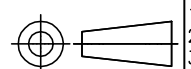
| OPTION CODE | OPTION *                  | OPTION PART NO. | OUTLINE & DIM.DWG. |
|-------------|---------------------------|-----------------|--------------------|
| A1          | SINGLE Q.C. TERMINALS     | 32728-01        | SS-625             |
| A2          | DOUBLE Q.C. TERMINALS     | 32729-01        | SS-626             |
| B           | PLUG-IN TERMINALS         | 32730-01        | SS-627             |
| BC          | PLUG-IN & RECEPT. (ST)    | 32731-01        | SS-628             |
| BD          | PLUG-IN & RECEPT. (Q.C)   | 32732-01        | SS-629             |
| GZ          | ENCLOSURE, NEMA 2         | 32733-01        | SS-633             |
| I1          | TIME HEAD CAP (BLACK)     | 32734-01        | SS-634             |
| I2          | TIME HEAD CAP (CLEAR)     | 32734-02        | SS-634             |
| K           | EXPL. PROOF ENCLOSURE     | 32807-01        | N/A                |
| M           | DUST TIGHT GASKETS        | 32737-01        | SS-631             |
| P           | OCTAL PLUG-IN             | 32738-01        | SS-630             |
| S           | DIAL STOPS                | 32741-01        | SS-632             |
| T           | AUX.SWITCH T.S. TIMING    | 32742-01        | SS-641             |
| U           | DUST TIGHT ENCLOSURE      | 32744-01        | SS-636             |
| W           | WATER-TIGHT ENCL.NEMA 4   | 32745-01        | SS-635             |
| X           | PANEL MOUNT               | 32748-01        | N/A                |
| Y1          | HORIZ. CALIB. W/O X       | 32726-01        | N/A                |
| Y2          | HORIZ. CALIB. W/COMP.SPG. | 32727-01        | N/A                |
| L           | AUX.SW. (INST. XFER)      | 32739-01        | SS-638             |
| LL          | (2) AUX.SW. (INST. XFER)  | 32739-03        | SS-638             |

| FIELD INSTALLATION KITS |          |                                |          |
|-------------------------|----------|--------------------------------|----------|
| CATALOG NUMBER          | KIT CODE | DESCRIPTION                    | PART NO. |
| 700062                  | I1       | TAMPER-PROOF COVER (BLACK)     | 32708-01 |
| 700071                  | I2       | TAMPER-PROOF COVER (CLEAR)     | 32708-02 |
| 700034                  | K        | ENCLOSURE, EXPL.PROOF          | 32736-01 |
| 700099                  | W        | ENCLOSURE, WATER-TIGHT, NEMA 4 | 32746-01 |
| 700077                  | B        | PLUG-IN MOUNTING               | 32725-01 |
| 700042                  | GZ       | ENCLOSURE, NEMA 2              | 32913-01 |
| 700047                  | L        | AUX. SWITCH (INST. XFER)       | 32740-01 |
| 700097                  | P        | OCTAL PLUG ADAPTER             | 32912-01 |
| 700121                  | T        | AUX. SWITCH (TWO-STEP TIMING)  | 32743-01 |
| 700041                  | X        | PANEL MOUNTING                 | 32749-01 |
| 700030                  | -        | SWITCH BLOCK ASSY              | 32911-01 |
| 700137                  | -        | PLUG-IN RECEPT. (SCREW TERM.)  | 32324-01 |
| 700141                  | -        | PLUG-IN RECEPT. (Q.C. TERM.)   | 32324-02 |
| 700048                  | LL       | DOUBLE AUX. SWITCH KIT         | 32026-01 |

\* CAUTION SHOULD BE EXERCISED IN ORDERING (ASSIGNING) MULTIPLE OPTIONS - CONSULT PRODUCT MANAGER FOR VERIFICATION IF NECESSARY.

NOTES:

- ① WHEN L7, L21, L22 OR L24 COILS ARE SPECIFIED, SUBSTITUTE TIME HEAD ASSY AS FOLLOWS:  
USE 32625-06 IN PLACE OF 32625-05  
USE 32625-02 IN PLACE OF 32625-01  
USE 32625-10 IN PLACE OF 32625-09  
AND TEST PER TP-TRE-05.
- 2. DIELECTRIC TEST PER TP-TRE-01.
- 3. PERFORMANCE TEST PER TP-TRE-02 (REF. ES-TRE-01 & ES-TRE-02)

|   |  |                  |           |   |             |
|---|--|------------------|-----------|---|-------------|
| THIS DRAWING IS A CONTROLLED DOCUMENT.  |  | DWN<br>RV        | 30JUL2019 |  TE Connectivity |             |
|   |  | CHK<br>RV        | 30JUL2019 |   |             |
| DIMENSIONS:<br>INCHES   |  | APVD<br>DH       | 30JUL2019 | NAME<br>7000 SERIES TIMING RELAY  |             |
|  |  | PRODUCT SPEC     |           | -   |             |
|   |  | APPLICATION SPEC |           | -   |             |
| MATERIAL  |  | WEIGHT           | 0         | SIZE  | A3          |
| FINISH  |  | CUSTOMER DRAWING |           | CAGE CODE   | -           |
|   |  | SCALE            |           | DRAWING NO  | 7000-SERIES |
|   |  | SHEET            |           | RESTRICTED TO   | -           |
|   |  | 1 of 3           |           | REV   | A           |

THIS DRAWING IS UNPUBLISHED.

RELEASED FOR PUBLICATION

© COPYRIGHT - TE Connectivity Ltd.

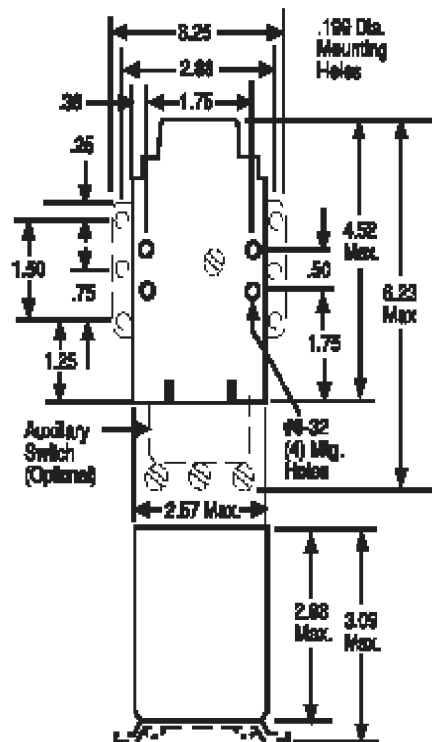
ALL RIGHTS RESERVED.

REVISIONS

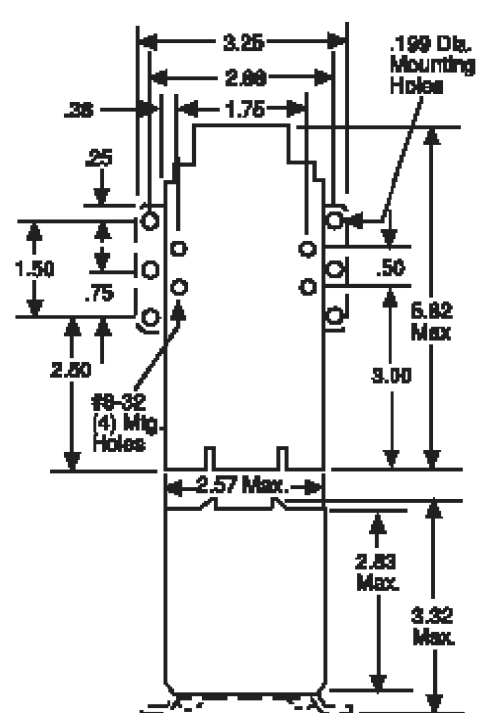
| P | LTR | DESCRIPTION | DATE | DWN | APVD |
|---|-----|-------------|------|-----|------|
| - | -   | SEE SHEET 1 | -    | -   | -    |

Outline Dimensions (Dimensions in inches)

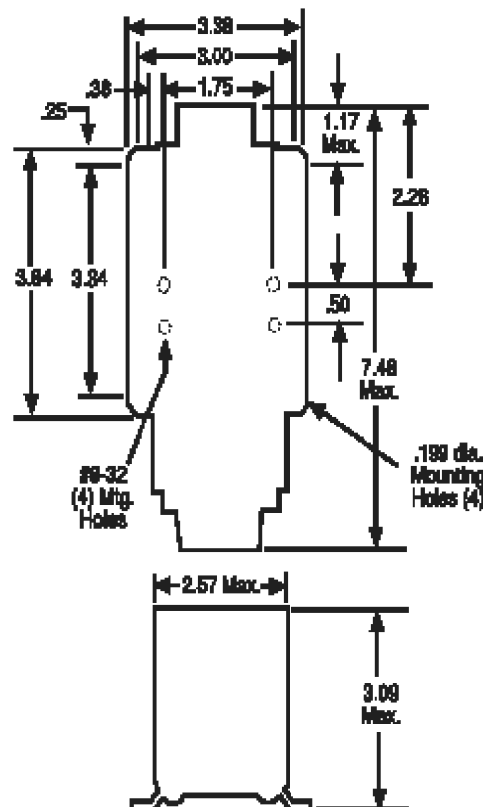
Models 7012, 7022



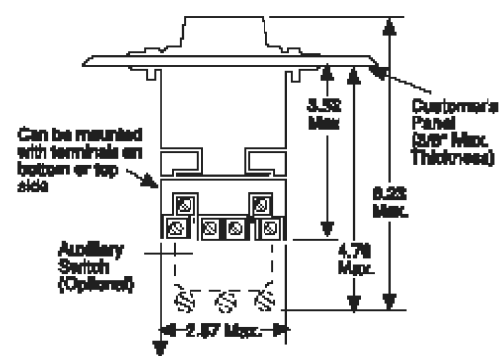
Models 7014, 7024



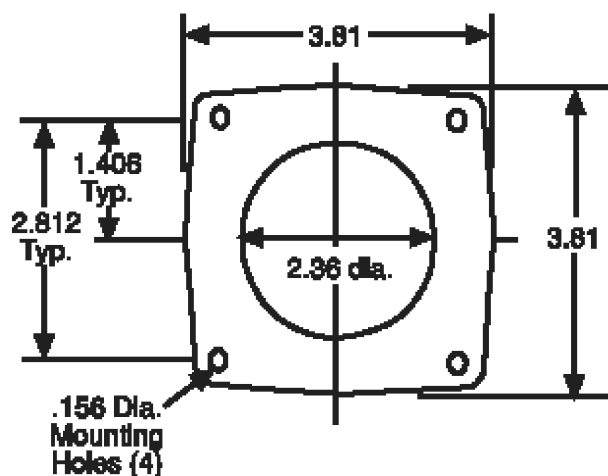
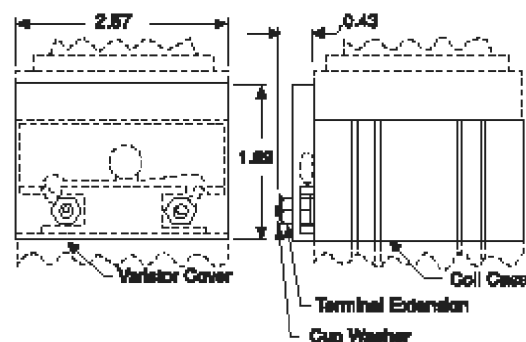
Model 7032



Panel Mount Option "X"



Surge/Transient Protection Option



|  |  |   |    |                  |                     |       |                          |       |           |     |            |               |               |   |
|--|--|---|----|------------------|---------------------|-------|--------------------------|-------|-----------|-----|------------|---------------|---------------|---|
| THIS DRAWING IS A CONTROLLED DOCUMENT. |  | DWN   | RV | 30JUL2019        | <br>TE Connectivity | NAME  | 7000 SERIES TIMING RELAY |       |           |     |            |               |               |   |
| DIMENSIONS: INCHES                     |  | CHK   | RV | 30JUL2019        |                     |       | PRODUCT SPEC             | -     |           |     |            |               |               |   |
|  |  | APVD  | DH | 30JUL2019        |                     |       | APPLICATION SPEC         | -     |           |     |            |               |               |   |
| MATERIAL                               |  | TOLERANCES UNLESS OTHERWISE SPECIFIED:  |    | WEIGHT           |                     | 0     | SIZE                     | A3    | CAGE CODE | -   | DRAWING NO | C=7000-SERIES | RESTRICTED TO | - |
| -                                      |  | 0 PLC ± -<br>1 PLC ± -<br>2 PLC ± -<br>3 PLC ± -<br>4 PLC ± -<br>ANGLES ± -<br>FINISH - |    | CUSTOMER DRAWING |                     | SCALE | NTS                      | SHEET | 2 of 3    | REV | A          |               |               |   |