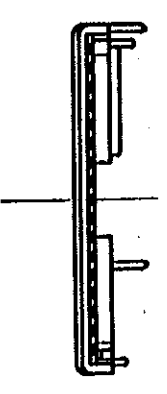
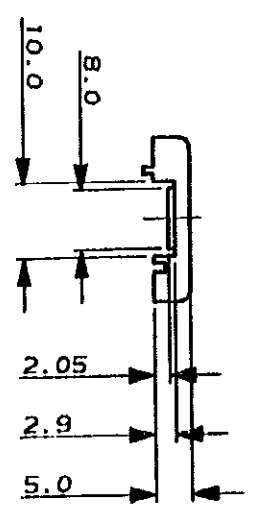
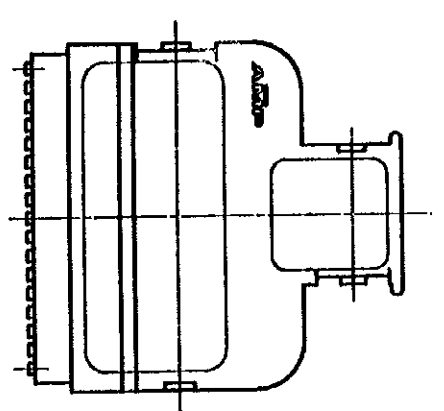
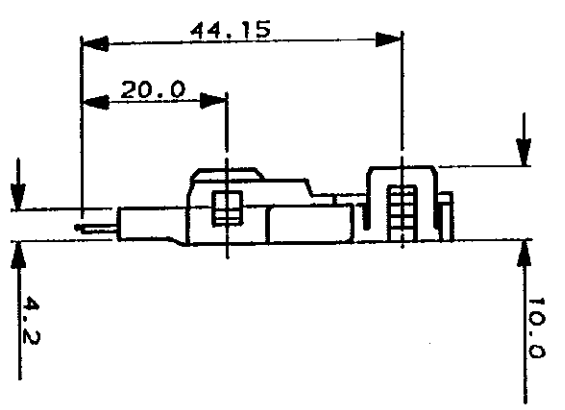
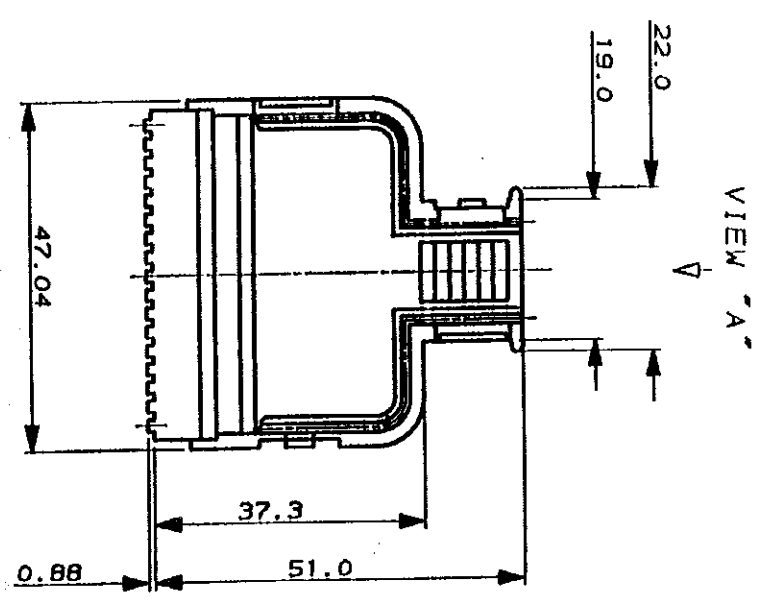
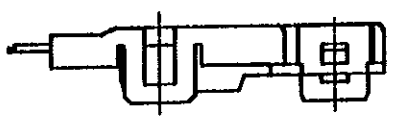


DIMENSIONS IN MILLIMETERS. DO NOT SCALE PRINT

PRINT DIST

-1, A5 SHOWN
-1, 本 図



LTR	REV	DATE	CHK	DR	REVISION RECORD
A	1	4/26/89	T. Sasaki	H. Akiyama	REPAIR J-109201

© 1988 BY AMP (Japan) LTD. ALL RIGHTS RESERVED. AMP PRODUCTS COVERED BY PATENTS AND OR PATENTS PENDING		WIRE RANGE # 19 - 40 (AWG)	INSULATION DIA 7.1 - 9.0 mmφ	MATERIAL # 19 - 40 (AWG)	FINISH #
NAME CABLE COVER 34P 5-200 CONN. SYSTEM (W-T-B)		DR. H. Akiyama 4/26/89	DE. H. Akiyama 4/26/89	CHK. T. Sasaki 4/27/89	AMP 4/26/89
GENERAL TOLERANCE 0-10 : ±0.2 10-30 : ±0.25 30-63 : ±0.3 ANGLES : ±3°		SIZE A3	LOC J	NUMBER C-175600	SCALE 1-1
AMP JAPAN, LTD. Tokyo, Japan		REV. A	SHEET 1 OF 1	CUSTOMER DRAWING	