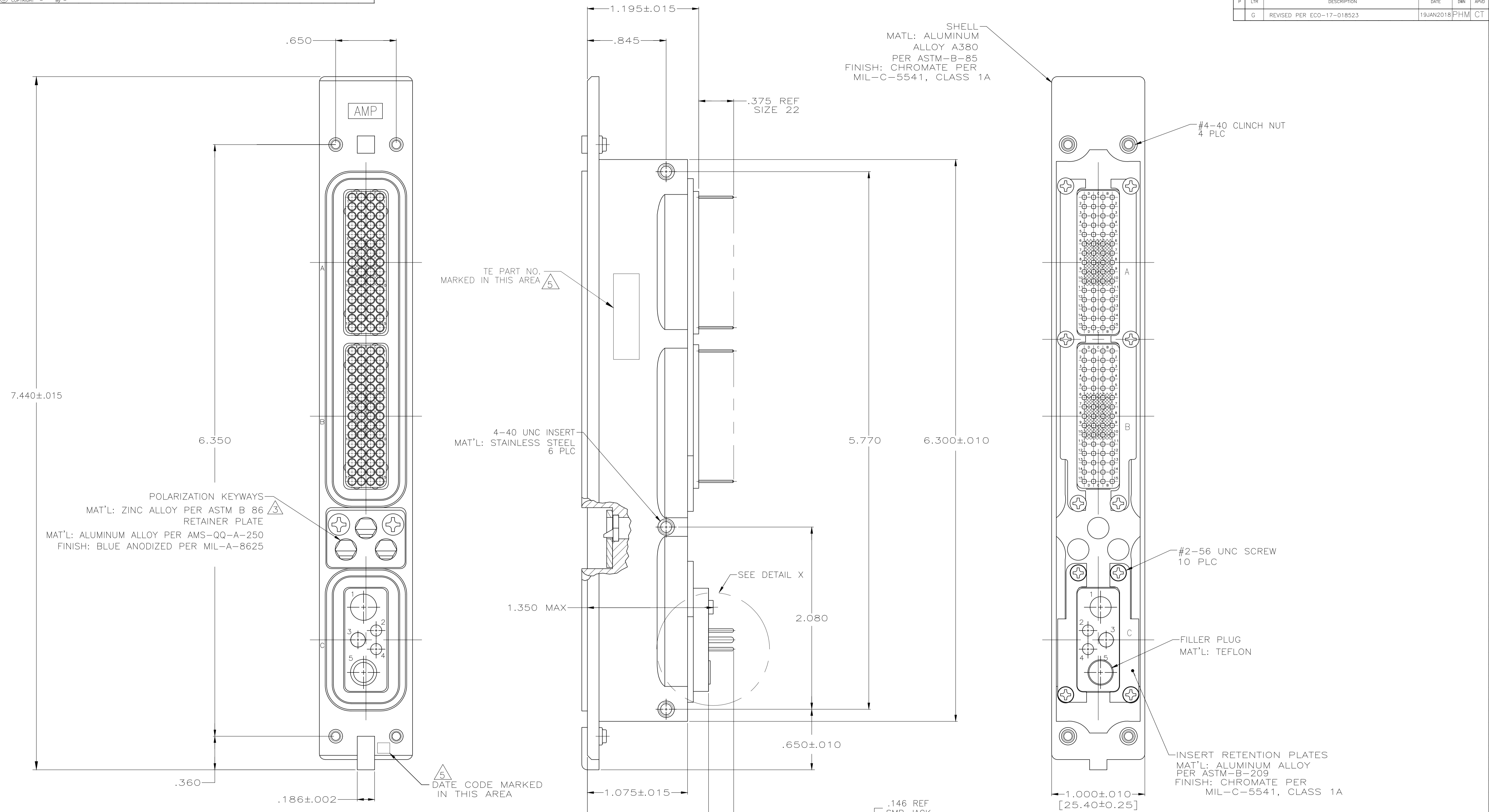
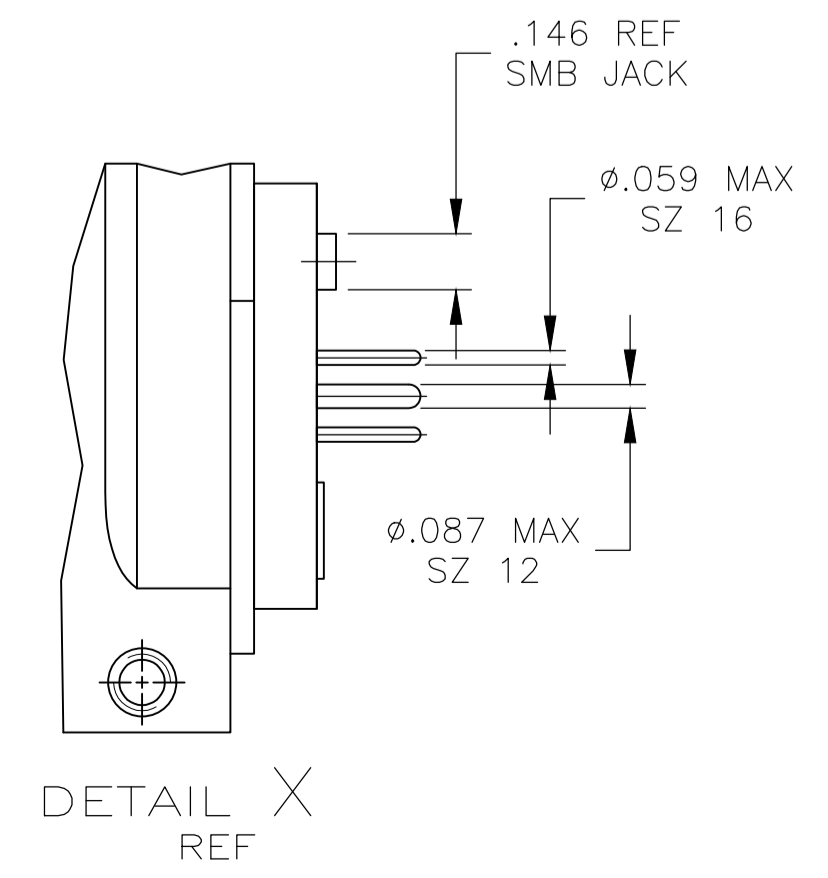


REVISIONS					
P	LTR	DESCRIPTION	DATE	DMN	APVD
G		REVISED PER ECO-17-018523	19JAN2018	PHM	CT



- CONNECTOR DIMENSIONS ARE PER ARINC 600 SPECIFICATION
- FOLLOWING CONTACTS ARE INCLUDED AND LOADED:
 SIZE 22 SOCKET: AMP P/N 1-211431-4; QTY: 120
 SIZE 16 PIN (POSTED): 1663128-6; QTY: 2
 SIZE 12 PIN (POSTED): 1663129-6; QTY: 1
 SIZE 5 FILLER PLUG: 1663132-1; QTY: 1
 SIZE 5 SMB: P/N 1663389-2; QTY: 1
 ALL SOLDER POSTS ARE SOLDER DIPPED.

- KEYING SHOWN IN POSITION "01" FOR REFERENCE ONLY. SEE TABLE FOR KEYING POSITION. FOR POSITION "00" KEYING SHIPPED UNASSEMBLED.
- CONTACTS NOT SHOWN IN FRONT AND REAR VIEWS FOR CLARITY.
- DATE CODE MAY BE LOCATED UNDER PART NUMBER.



"10"	1757056-1
KEYING POSITION	PART NUMBER



THIS DRAWING IS A CONTROLLED DOCUMENT.		DMN: C.C.THOMAS 3-2-04	REVISED PER ECO-17-018523	DATE: 19JAN2018	DMN: PHM	APVD: CT
DIMENSIONS: INCHES	TOLERANCES UNLESS OTHERWISE SPECIFIED:	CHK: S.GLATFELTER 3-2-04	APVD: S.GLATFELTER 3-2-04	NAME: RECEPTACLE ASSY, SIZE 1, ARINC 600 (60/60/5C2)		
0 PLC ± -	1 PLC ± -	PRODUCT SPEC: -				
2 PLC ± -	3 PLC ± .005	APPLICATION SPEC: -				
4 PLC ± -	ANGLES ± -	SIZE: A1	CAGE CODE: 00779	DRAWING NO: 1757056	RESTRICTED TO: -	
MATERIAL: SEE CALLOUTS	FINISH: SEE CALLOUTS	WEIGHT: 0	CUSTOMER DRAWING			SCALE: 2:1
			SHEET 1 OF 1		REV G	