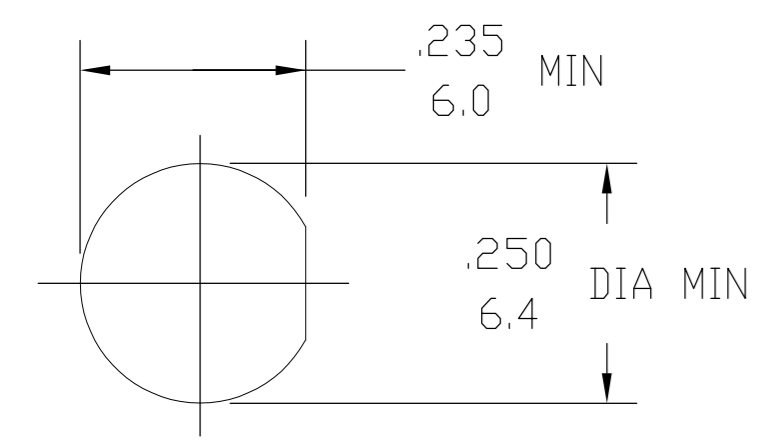


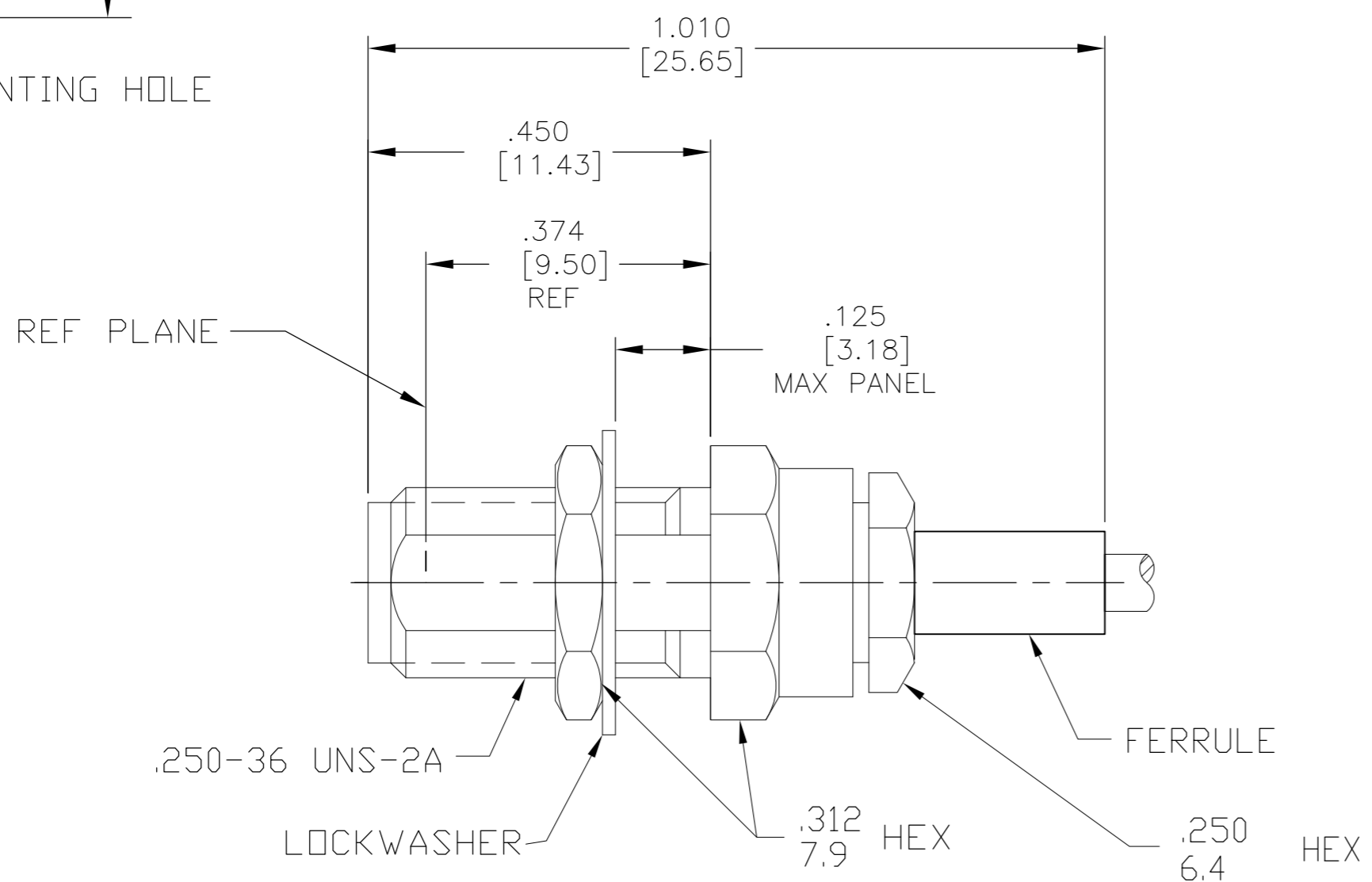
THIS DRAWING IS UNPUBLISHED. RELEASED FOR PUBLICATION  
 © COPYRIGHT - By - ALL RIGHTS RESERVED.

1. SEE INSTRUCTION SHEET 408-4802 FOR CABLE TERMINATION DETAILS.
2. PARTS SHIPPED UNASSEMBLED.

REVISIONS				
P	LTR	DESCRIPTION	DATE	APVD
B		REV PER ECO 17-000051	1-18-17	CT PR



RECOMMENDED MOUNTING HOLE



DESIGNED FOR USE WITH RG178/U & SIMILAR CABLES CABLE ENTRY DIAMETER MINIMUM	
CONTACT	.021 [0.53]
SLEEVE	.036 [0.91]
FERRULE	.098 [2.49]

COMPONENT	MATERIAL	FINISH
HOUSING MOUNTING NUT CLAMP NUT SLEEVE	STAINLESS STEEL	PASSIVATED
DIELECTRIC BEAD	NYLON	N/A
DIELECTRIC	PTFE	N/A
CENTER CONTACT	COPPER ALLOY	GOLD PLATED
LOCKWASHER	PHOSPHOR BRONZE	NICKEL PLATED
O-RING	FLUOROSILICONE RUBBER	N/A
FERRULE	COPPER OR BRASS ALLOY	NICKEL PLATED

ELECTRICAL	MECHANICAL	ENVIRONMENTAL
Nominal Impedance (Ωhms) 50	Interface Dimensions MIL-STD-348A, Fig. 310.2	TEMPERATURE RATING -65°C TO +165°C
Frequency Range (GHz) DC to 12.4	Recommended Mating Torque N/A	Vibration MIL-STD-202, Method 204, Condition D
Volt Rating (VRMS MAX) @ Sea Level 170	Mating Characteristics:	Shock MIL-STD-202, Method 213, Condition I
VSWR 1.20 + [0.02 f(GHz)]	Insertion (MAX Lbs) 3.0	Thermal Shock MIL-STD-202, Method 107, Condition B EXCEPT HIGH TEMP SHALL BE +85°C
Insertion Loss (dB MAX) .06 √ f(GHz)	Withdrawal (MIN Oz) 1.0	Moisture Resistance MIL-STD-202, Method 106, Except Vibration
RF Leakage (dB MIN) -60 @ 2-3 GHz	Force to Engage and Disengage (In/Lbs MAX) 2.0	Shall Be Omitted
Corona, 70,000 Ft (VRMS MIN) 125	Center Contact Captivation	Corrosion - MIL-STD-202, Method 101, Condition B, 5% salt spray
Dielectric Withstanding Voltage (VRMS MIN) @ Sea Level 500	Axial (Lbs) 6.0	
Contact Resistance (Milliohms MAX)	Radial (In/Oz) N/A	
Center Contact 2.0	Cable Retention	
Outer Contact 2.0	Axial Force (Lbs) 10.0	
Cable to Housing 0.5	Torque (In/Oz) N/A	
RF High Potential @ Sea Level (VRMS MIN @ 5 MHz) 335	Weight (Grams) 4.2	
I.R.(Megohms MIN) 10,000		

1757091

1757091-1  
PART NUMBER

THIS DRAWING IS A CONTROLLED DOCUMENT.

DWN	C.C.THOMAS	5-16-16	 TE Connectivity	NAME SMA BULKHEAD FEEDTHROUGH PASSIVATED CABLE JACK, CRIMP ATTACH		
CHK	F.BLASICK	5-16-16				
APVD	F.BLASICK	5-16-16				
PRODUCT SPEC						
APPLICATION SPEC			SIZE	CAGE CODE	DRAWING NO	RESTRICTED TO
			A2	00779	1757091	
MATERIAL	FINISH	WEIGHT	CUSTOMER DRAWING		SCALE	SHEET
SEE TABLE	SEE TABLE	0	NTS		1 of 1	REV B