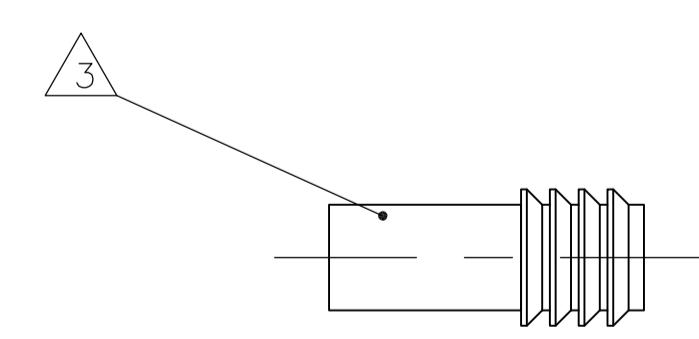
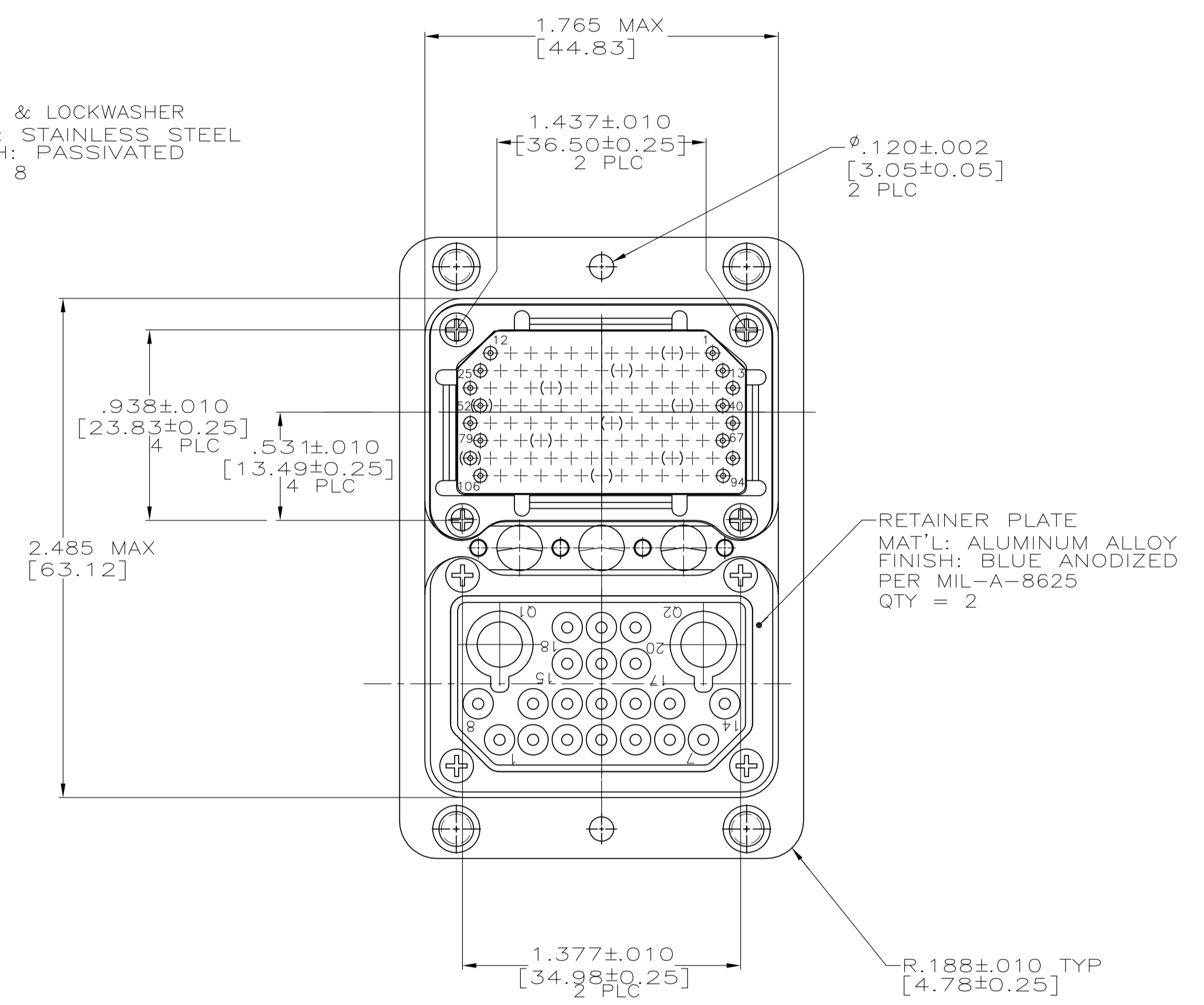
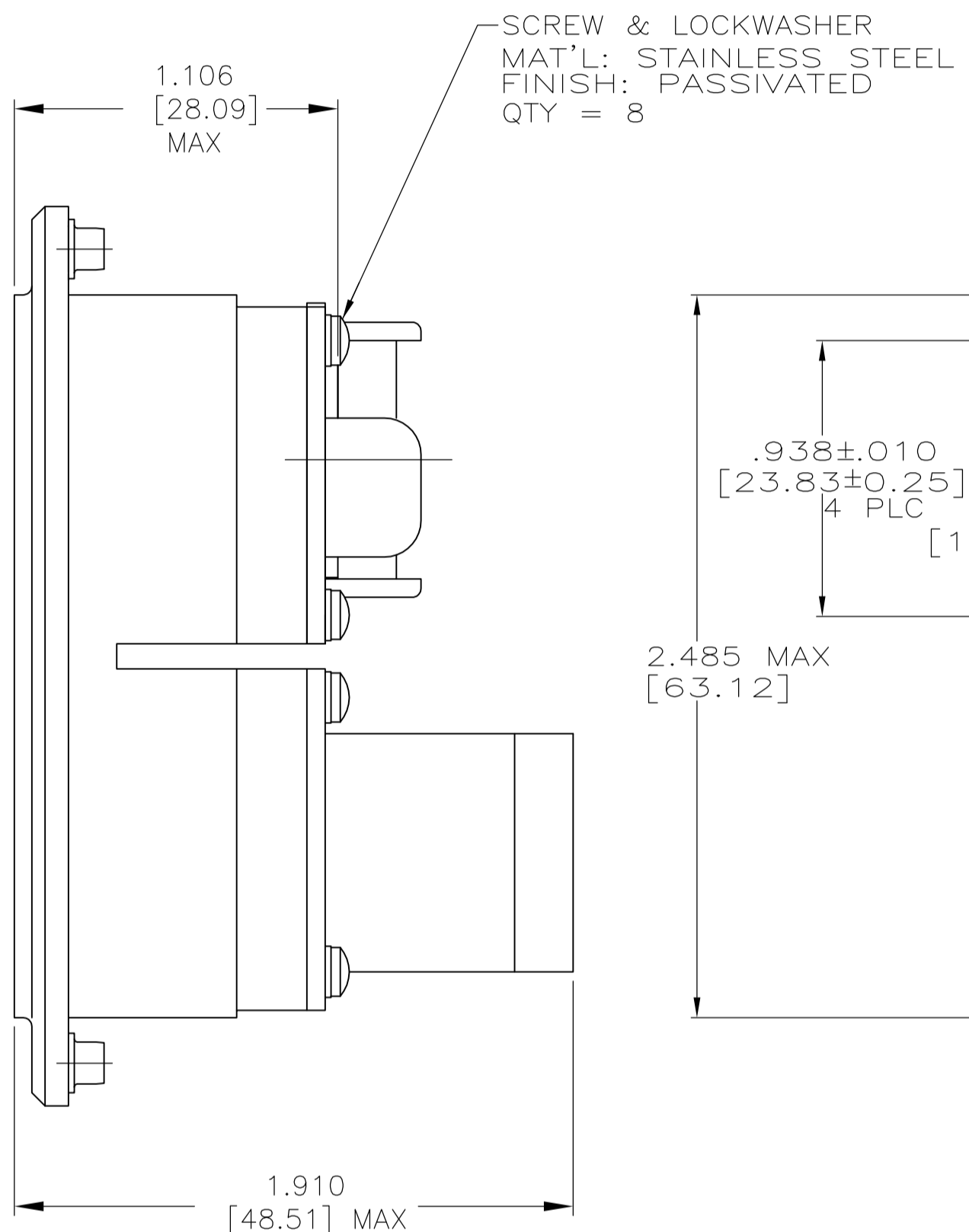
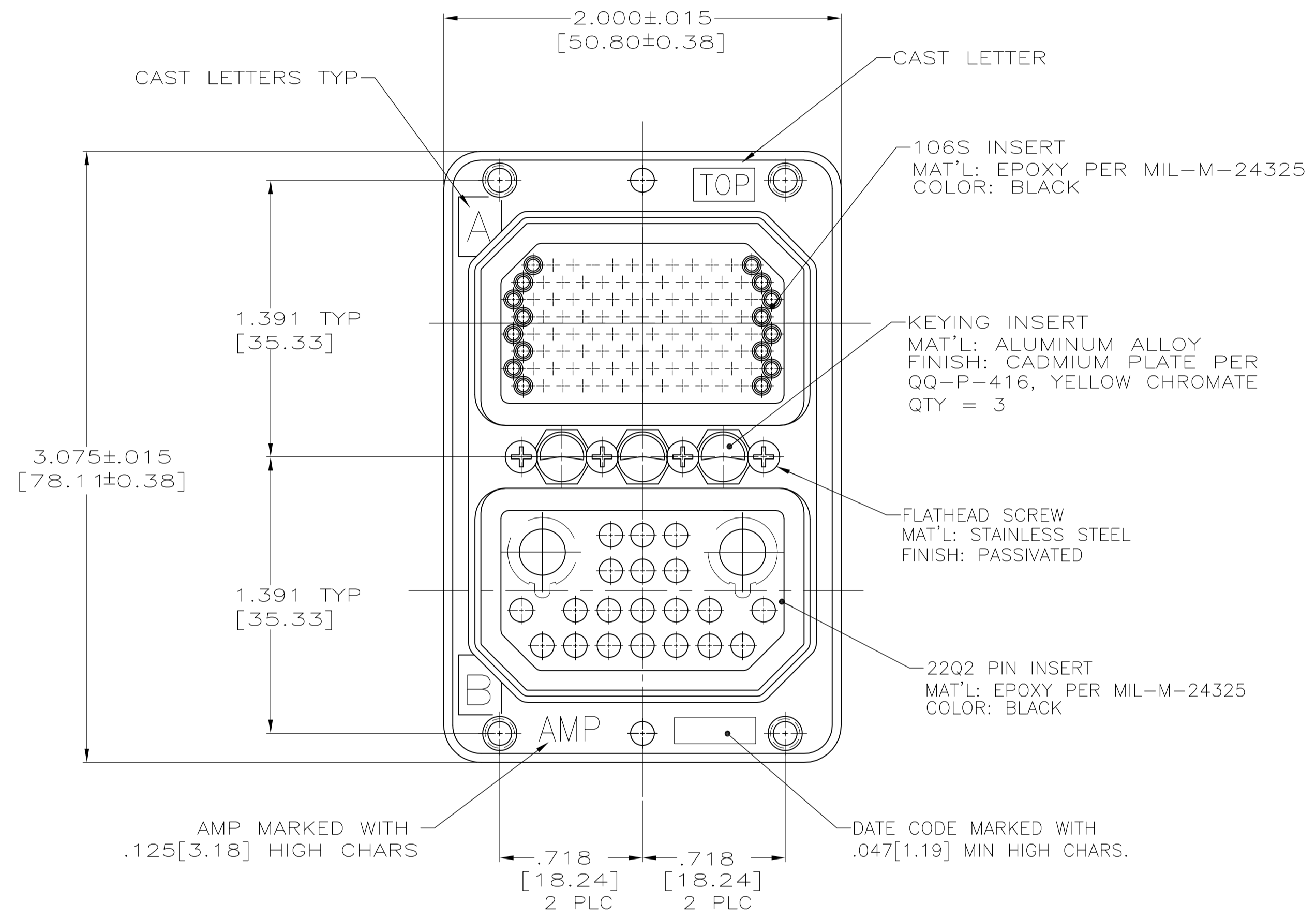
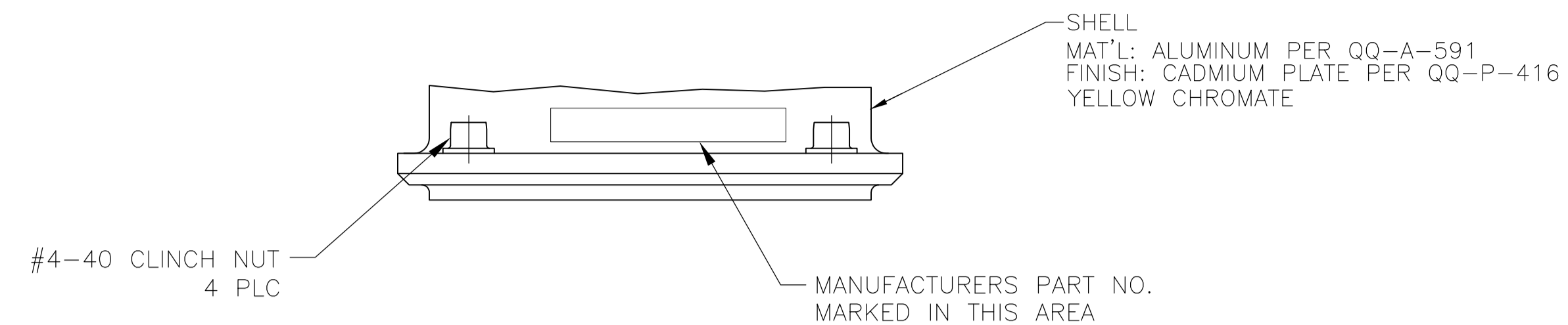


LOC		DIST		REVISIONS			
P	LTR	DESCRIPTION	DATE	DN	APVD		
J		REVISED PER ECO-09-018066	18AUG09	PY	DE		



- CONNECTOR DIMENSIONS ARE PER ARINC 404 SPECIFICATION.
 - KEYING SHOWN IN POSITION "01" FOR ILLUSTRATION ONLY. CONNECTORS SHIPPED WITH KEYING INSTALLED IN POSITION PER TABLE. FOR POSITION "00" KEYING HARDWARE SHIPPED UNASSEMBLED.
- △ TWO QUADRAx SEALS PROVIDED WITH ASSEMBLY.

"02"	1757312-2
"01"	1757312-1
KEYING POSITION	PART NO.

THIS DRAWING IS A CONTROLLED DOCUMENT.

DIMENSIONS: INCHES	TOLERANCES UNLESS OTHERWISE SPECIFIED:	DIN C.C.THOMAS 5-20-05	APVD D.FABRY 5-20-05	NAME D.FABRY	PRODUCT SPEC	APPLICATION SPEC	WEIGHT	RESTRICTED TO
0 PLC ± -	1 PLC ± -	2 PLC ± -	3 PLC ± .005 [0.13]	4 PLC ± -	ANGLES ± -			
MATERIAL	FINISH	SIZE A1	CAGE CODE 00779	DRAWING NO. 1757312	SCALE 2:1	SHEET 1 OF 1	REV J	

CUSTOMER DRAWING

Tyco Electronics Corporation
 Harrisburg, PA 17105-3608

DUAL RECEPTACLE, ARINC 404,
 R2R106S22Q2P-01XX (201)