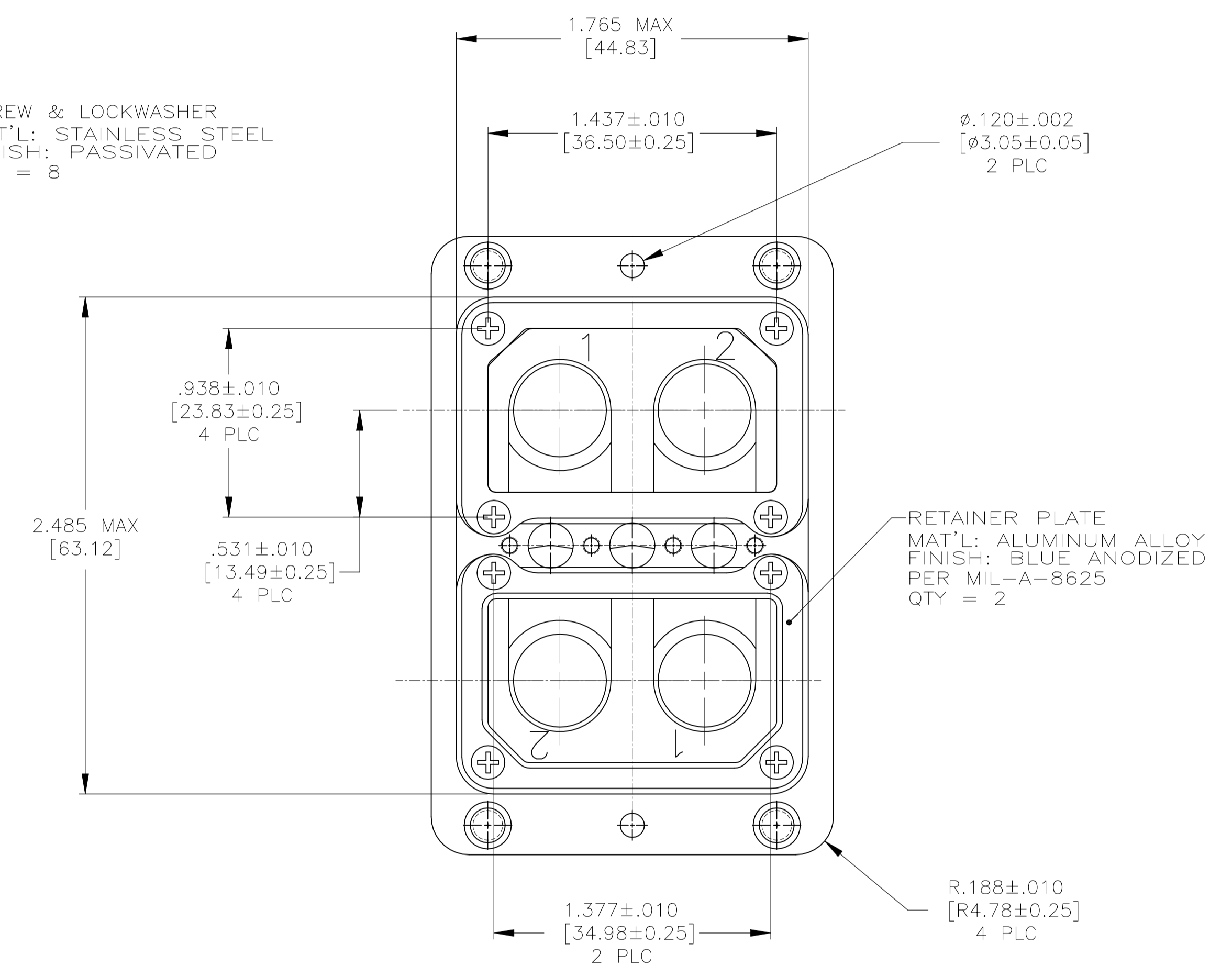
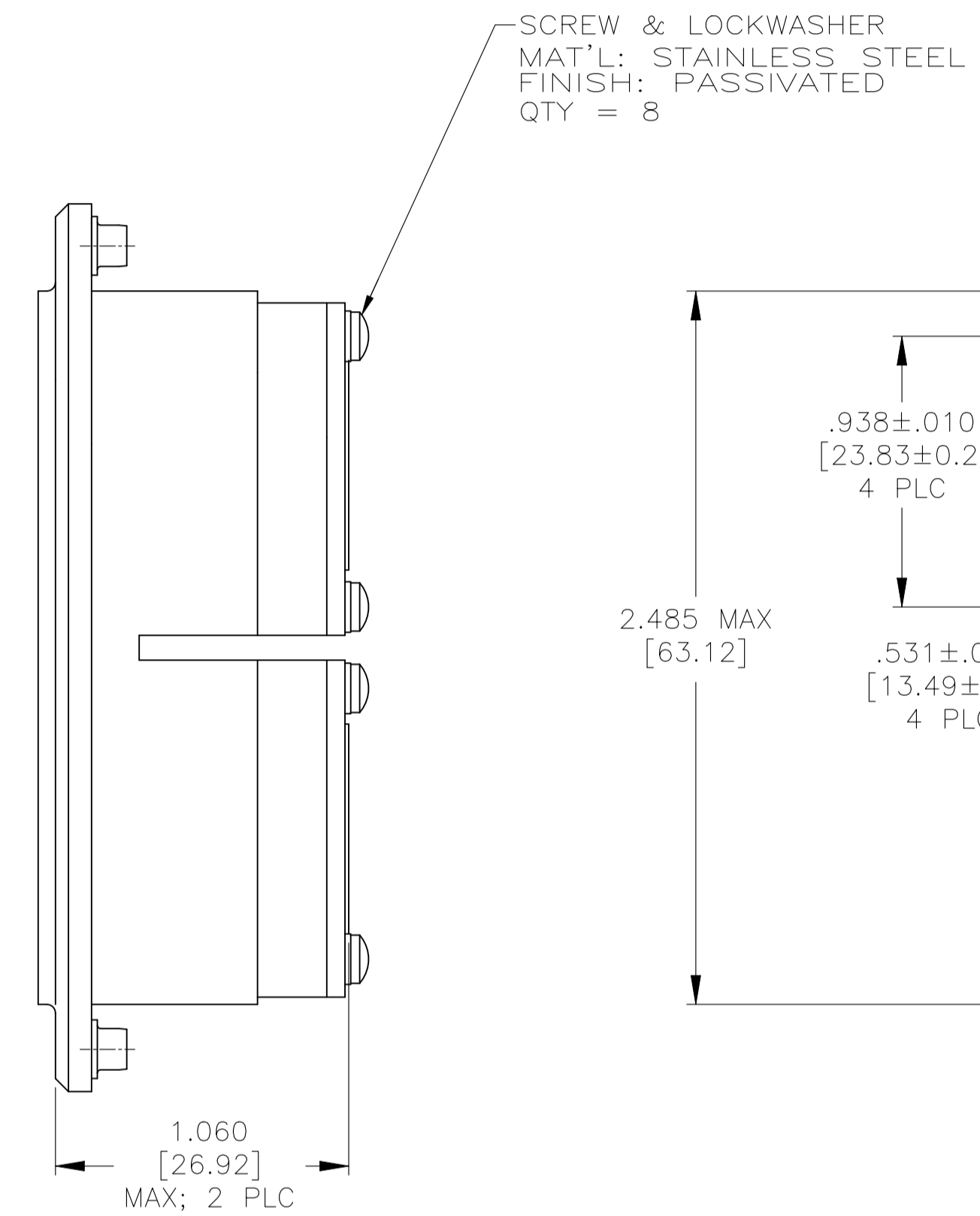
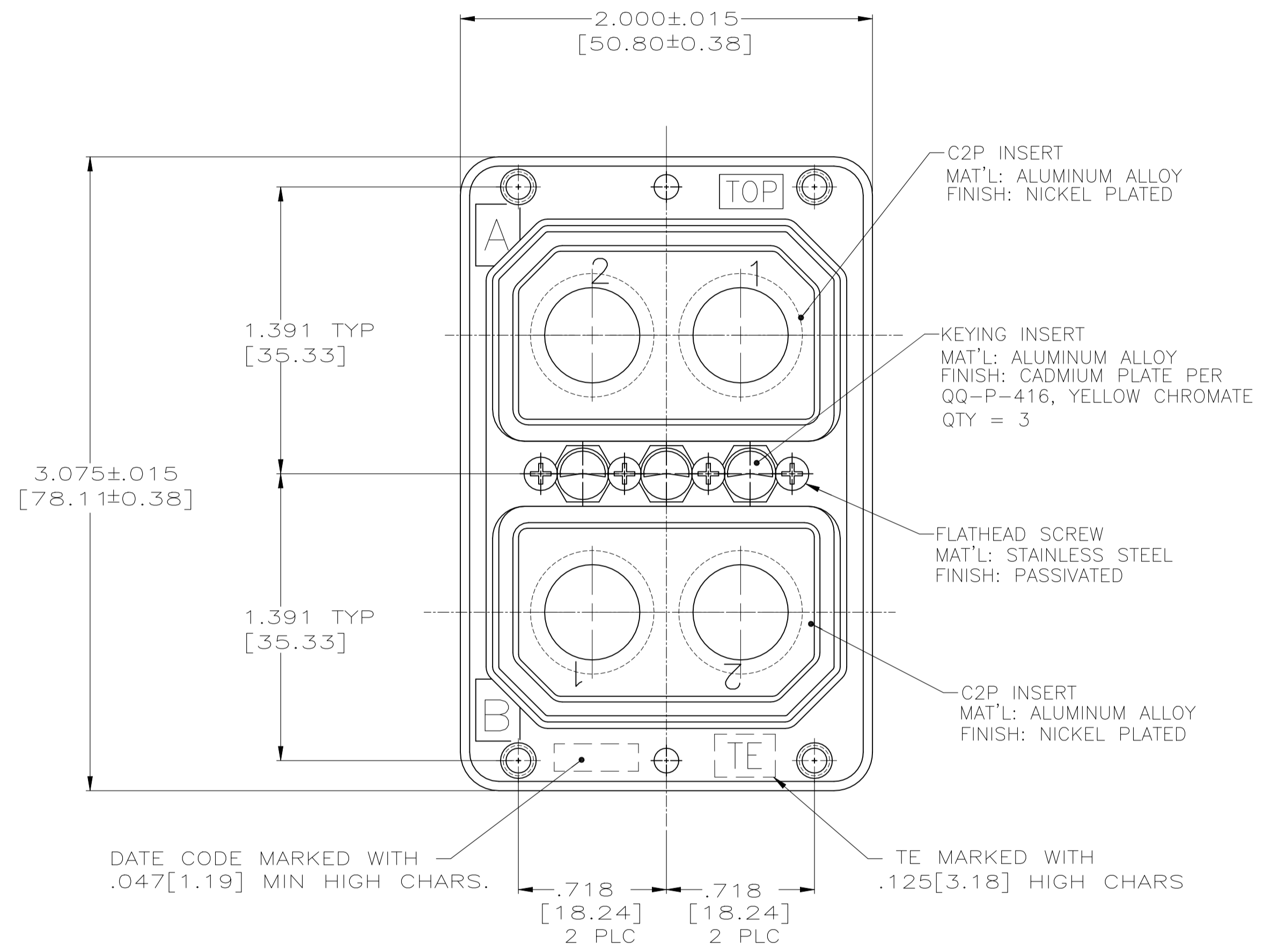
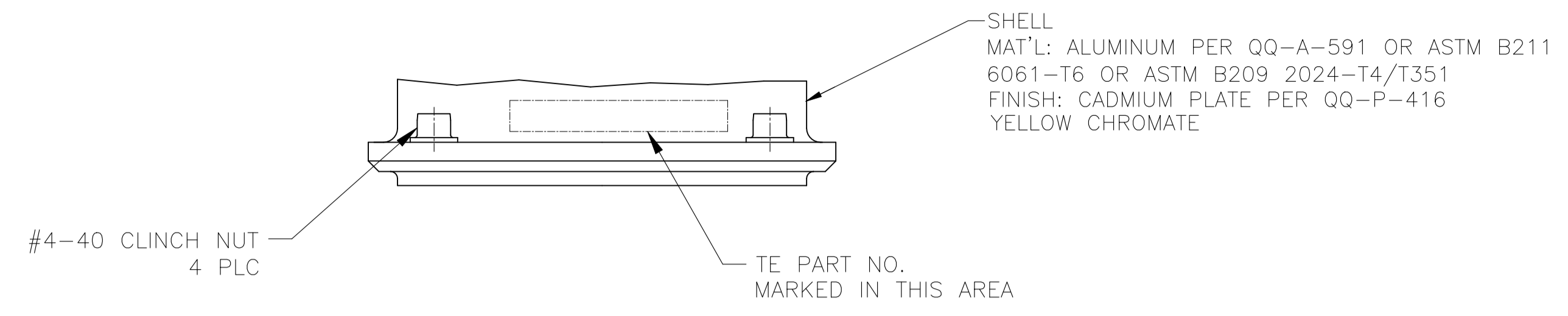


REVISIONS					
P	LTR	DESCRIPTION	DATE	DN	APVD
E		REV PER ECO 20-017166	12-7-20	CT	RL



- CONNECTOR DIMENSIONS ARE PER ARINC 404 SPECIFICATION.
- KEYING SHOWN IN POSITION "01" FOR ILLUSTRATION ONLY. CONNECTORS SHIPPED WITH KEYING INSTALLED IN POSITION PER TABLE. FOR POSITION "00" KEYING HARDWARE SHIPPED UNASSEMBLED.

"02"	1757676-2
"01"	1757676-1
KEYING POSITION	PART NO.

THIS DRAWING IS A CONTROLLED DOCUMENT.

DIMENSIONS:	TOLERANCES UNLESS OTHERWISE SPECIFIED:	DIN	1-27-05
INCHES	0 PLC ± -	C.C.THOMAS	1-27-05
	1 PLC ± -	CHK	1-27-05
	2 PLC ± -	LARRY OH	
	3 PLC ± .005(0.13)	APVD	1-27-05
	4 PLC ± -	LARRY OH	
	ANGLES ± -	NAME	
		PRODUCT SPEC	
MATERIAL	FINISH	APPLICATION SPEC	
		WEIGHT	0.000000
		SIZE	A1
		CAGE CODE	00779
		DRAWING NO	1757676
		RESTRICTED TO	
		CUSTOMER DRAWING	
		SCALE	2:1
		SHEET	1 of 1
		REV	E

**STE** TE Connectivity

DUAL RECEPTACLE, ARINC 404, R2RC2PC2P-01XX (201)