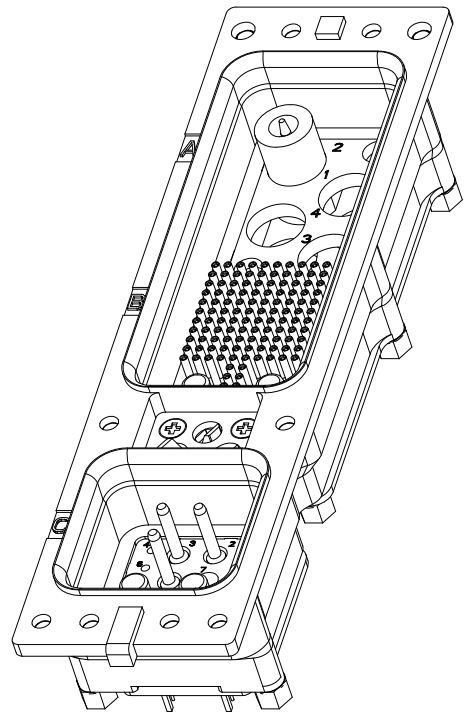


THE DRAWING IS UNPUBLISHED.
 RELEASED FOR PUBLICATION
 © copyright - by - ALL RIGHTS RESERVED

REVISIONS				
P	LN	DESCRIPTION	DATE	APP
E	REV PER	ECO-17-013837	09-20-17	DCB RL



- CONNECTOR DIMENSIONS ARE PER ARINC 600 SPECIFICATION.
- CONNECTOR IS SUPPLIED WITH A DUST COVER INSTALLED; NOT SHOWN.
- KEYING SHOWN IN POSITION FOR ILLUSTRATION ONLY. CONNECTORS SHIPPED WITH KEYING INSTALLED IN POSITION PER TABLE FOR POSITION "00" KEYING HARDWARE SHIPPED UNASSEMBLED.
- SIZE 22 AND SIZE 12 CONTACTS NOT SHOWN IN FRONT AND REAR VIEWS FOR CLARITY.

- △ DIMENSION TO CONTACT POST IS WITH CONTACTS FULLY SEATED TO REAR OF CONTACT CAVITIES.
- △ THE FOLLOWING CONTACTS AND FILLER PLUGS ARE LOADED IN THIS CONNECTOR:
- MODULE A:
 P/N 1663625-1 (SIZE 1 FILLER PLUG; QTY = 3) POSITIONS 1, 3 & 4.
 P/N 1757669-1 (MODIFIED SIZE 1 COAX PIN ADAPTER; QTY = 1) POSITION 2.
- MODULE B:
 P/N 211431-6 (SIZE 22 POSTED CONTACT; QTY = 118)
 P/N 448540-3 (POSTED SIZE 8 PIN COAX; QTY = 2)
- MODULE C:
 P/N 1663129-5 (SIZE 12 POSTED CONTACT; QTY = 3) POSITIONS 2, 3 & 8.
 P/N 1663535-1 (POSTED SIZE 5 PIN COAX; QTY = 2) POSITIONS 12 & 13.
 P/N 1663767-6 (SIZE 20 FILLER PLUG; QTY = 4) POSITIONS 1, 4, 5 & 6.
 P/N 1663767-7 (SIZE 16 FILLER PLUG; QTY = 3) POSITIONS 9, 10 & 11.
 P/N 1663767-8 (SIZE 12 FILLER PLUG; QTY = 1) POSITION 7.

- △ THE FOLLOWING CONTACTS AND FILLER PLUGS ARE LOADED IN THIS CONNECTOR:
- MODULE A:
 P/N 1663625-1 (SIZE 1 FILLER PLUG; QTY = 3) POSITIONS 1, 3 & 4.
 P/N 1757669-1 (MODIFIED SIZE 1 COAX PIN ADAPTER; QTY = 1) POSITION 2.
- MODULE B:
 S2 22 NON-REMOVABLE POSTED SOCKET CONTACT (QTY = 118)
 P/N 448540-3 (POSTED SIZE 8 PIN COAX; QTY = 2)
- MODULE C:
 P/N 1663129-5 (SIZE 12 POSTED CONTACT; QTY = 3) POSITIONS 2, 3 & 8.
 P/N 1663535-1 (POSTED SIZE 5 PIN COAX; QTY = 2) POSITIONS 12 & 13.
 P/N 1663767-6 (SIZE 20 FILLER PLUG; QTY = 4) POSITIONS 1, 4, 5 & 6.
 P/N 1663767-7 (SIZE 16 FILLER PLUG; QTY = 3) POSITIONS 9, 10 & 11.
 P/N 1663767-8 (SIZE 12 FILLER PLUG; QTY = 1) POSITION 7.

- △ STANDOFF FASTENER TORQUE TO BE 3.5-4.5 in-lb
- △ STANDOFF FASTENER TORQUE TO BE 5.5-6.5 in-lbs

COMPONENT	MATERIAL	FINISH
SHELL	ALUMINUM ALLOY A380 PER ASTM-B-85	ELECTROLESS NICKEL PER MIL-C-26074
RETENTION PLATES	ALUMINUM ALLOY PER ASTM-B-209	ELECTROLESS NICKEL PER MIL-C-26074
PAN HEAD SCREWS AND LOCKWASHERS	STAINLESS STEEL	PASSIVATED
FLAT HEAD SCREWS (FOR KEYING HARDWARE)	STAINLESS STEEL	PASSIVATED
POLARIZING KEYS	ZINC ALLOY PER ASTM-B-86	-
POLARIZING KEY RETAINING PLATE	ALUMINUM ALLOY PER ASTM-B-209	BLUE ANODIZED PER MIL-A-8625
C4 INSERT	DIE CAST ALUMINUM PER ASTM-B-85.	ELECTROLESS NICKEL PER MIL-C-26074.
120T2 & 13C2 INSERTS	THERMOSET OR THERMOPLASTIC PPS PER MIL-M-24519	-
STANDOFF	STAINLESS STEEL	PASSIVATED

03	△	1757691-2
03	△	1757691-1
KEYING POSITION	CONTACTS INCLUDED AND INSTALLED	PART NUMBER

THIS DRAWING IS A CONTROLLED DOCUMENT. DR: C.C.THOMAS 2-7-05
 DFC: K.HOGAN 2-14-05
 PFD: K.HOGAN 2-14-05
 PRODUCT SPEC: ---

TE Connectivity
 RCPT ASSY, SIZE 2, SEALED, ARINC 600 (C4/120T2/13C2)

APPLICATOR SPEC: ---
 REQUIR: 0
 SIZE: A1
 CASE CODE: 00779
 DRAWING NO: 1757691
 CUSTOMER DRAWING

DIMENSIONS: INCHES (mm)
 TOLERANCE UNLESS OTHERWISE SPECIFIED:
 0 ALL -
 1 P.L.C. ± .005
 2 P.L.C. ± .002
 3 P.L.C. ± .001 [R13]
 4 P.L.C. ± .0005
 5 ANGLE ± .5°
 FINISH: ---

SCALE: 3:2
 SHEET: 1 of 2
 REV: F

