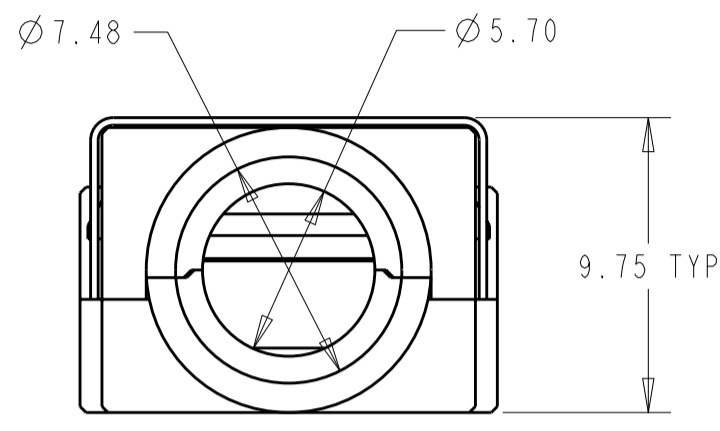
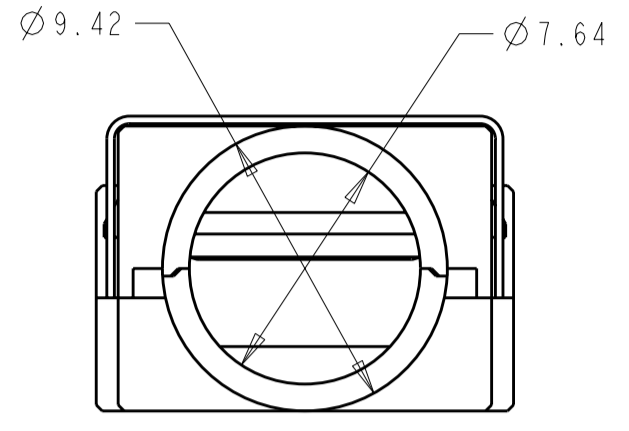
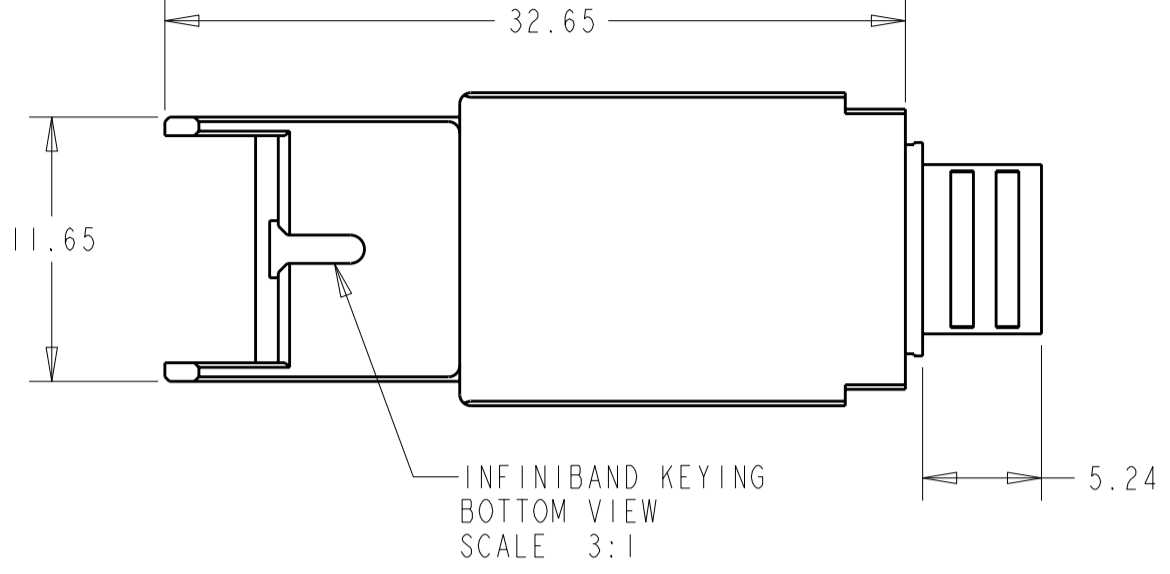
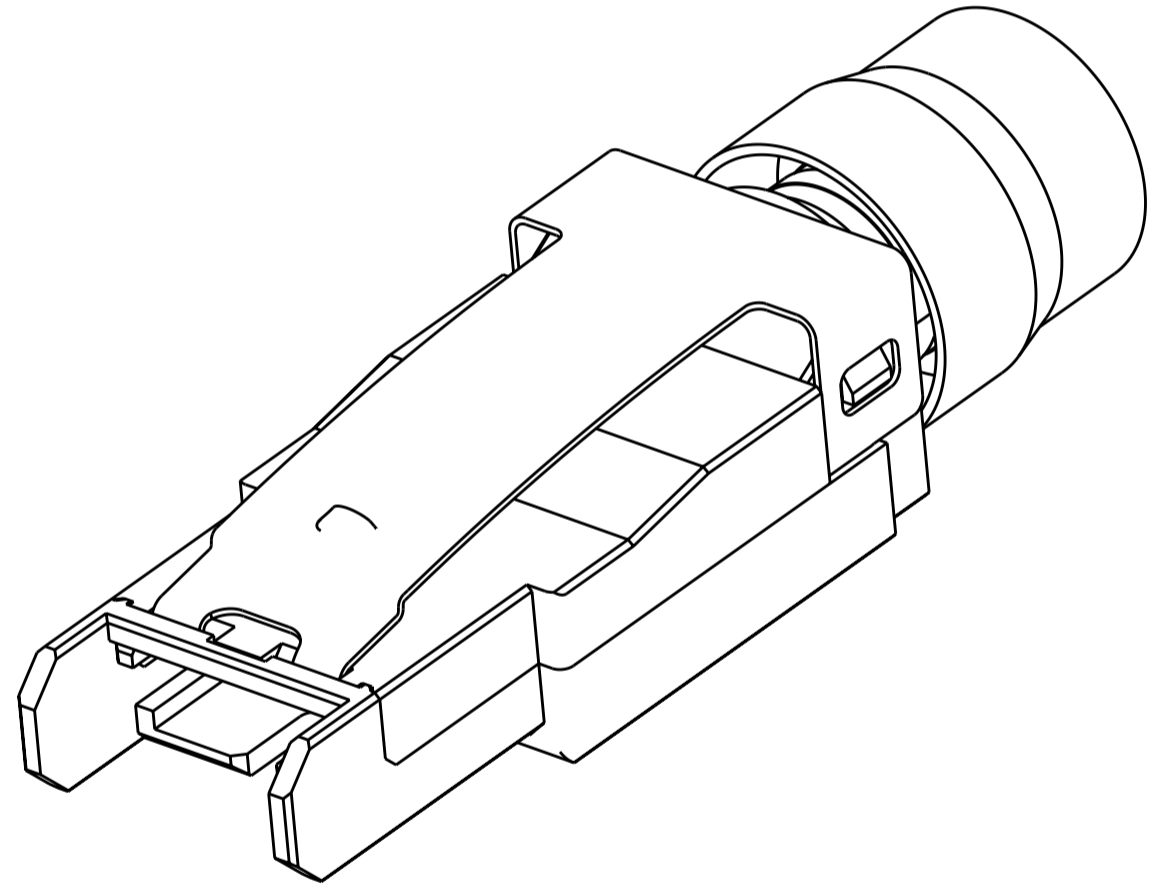
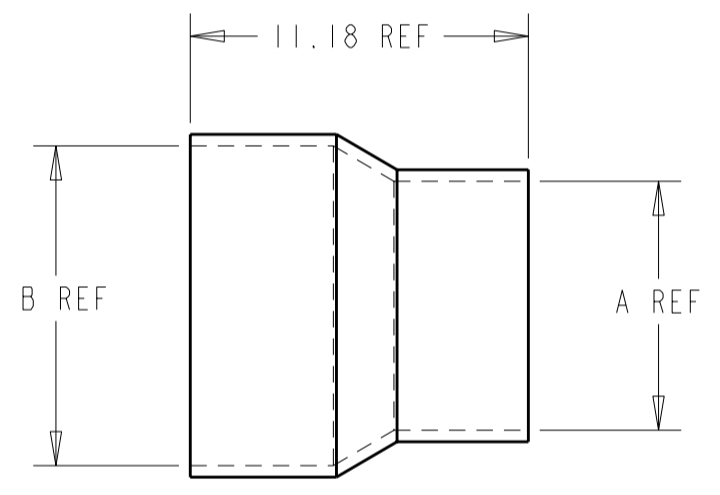
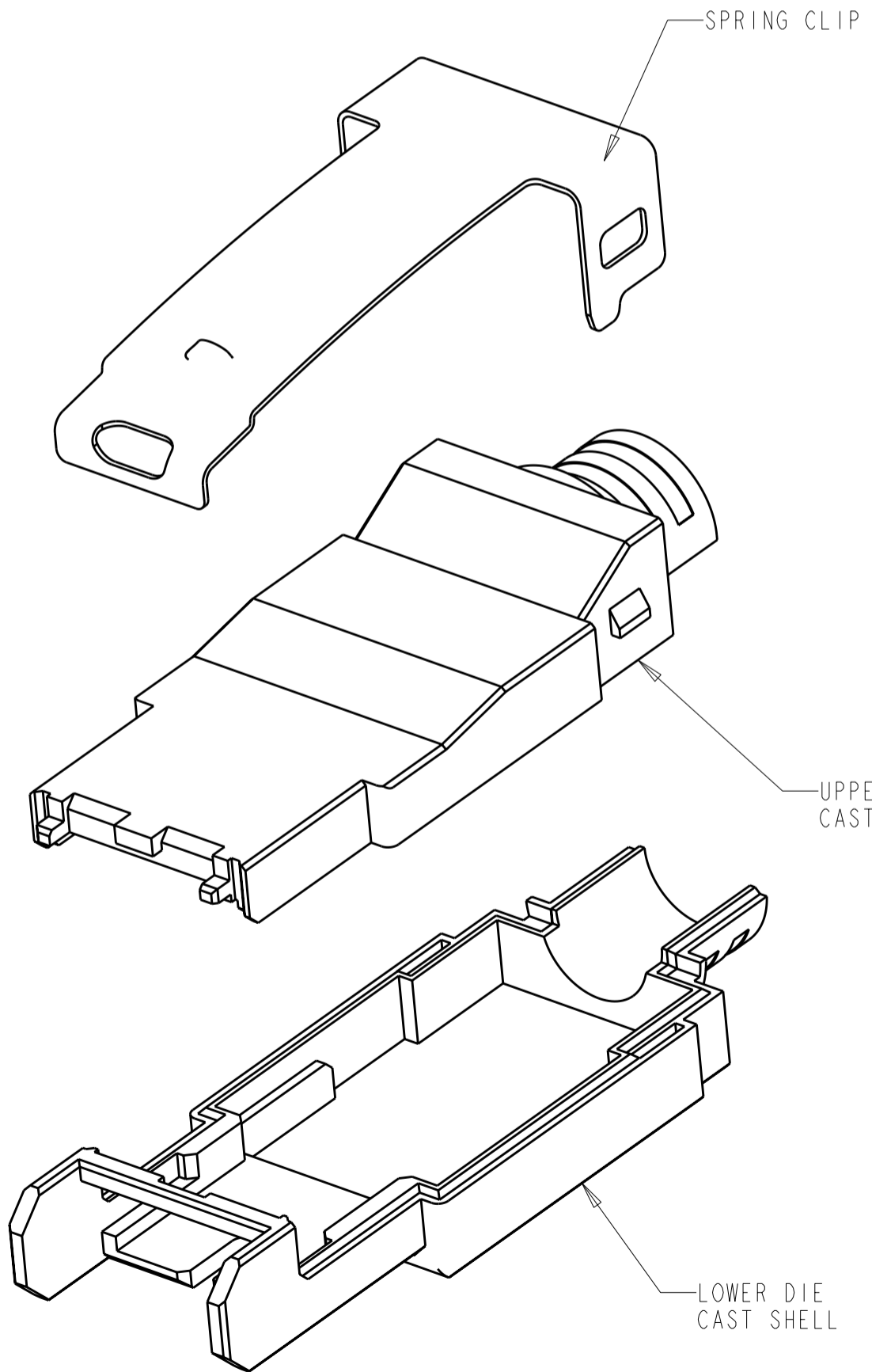


THIS DRAWING IS UNPUBLISHED. RELEASED FOR PUBLICATION 20
 © COPYRIGHT 20 BY TYCO ELECTRONICS CORPORATION. ALL RIGHTS RESERVED.

LOC	DIST	REVISIONS					
GP	00	P	LTR	DESCRIPTION	DATE	DWN	APVD
		01		REVISED PER EC 0S13-0253-05	18APR06	JG	JG
		A		REVISED PER ECO-06-003158	03MAY06	BM	SS
		AI		REVISED PER ECO-09-025699	09DEC2009	KK	HMR



- CABLE PLUG KIT DOES NOT INCLUDE CABLE, OVERMOLD, WIRE ORGANIZER OR PLUG PCB.
 - UPPER AND LOWER DIE CAST FINISH: 3-6 MICROMETERS MIN BRIGHT TIN OVER 1.27 MICROMETERS MIN NICKEL OVER 5.08 MICROMETERS MIN COPPER.
 - SPRING CLIP MATERIAL: PhBr. FINISH: 0.4 MICROMETERS MIN TIN.
 - BULK KIT PACKAGED, 1 PURCHASED PART NUMBER YIELDS 200 PLUG ASSEMBLIES.
- 5 BOTTOM VIEW OF PCB APPLIES ONLY TO 14 POSITION APPLICATIONS. PAD SIZE AND LOCATION SAME AS SHOWN ON TOP VIEW.
- 6 OBSOLETE PARTS: OBSOLETE CIS STREAMLINING PER D.RENAUD/D.SINISI



6	OBSOLETE	-	-	NO FERRULE LARGE CABLE EXIT	1761070-5
	OBSOLETE	9.53	11.10	Ø8.26-9.02	1761070-4
6	OBSOLETE	-	-	NO FERRULE SMALL CABLE EXIT	1761070-3
		6.25	9.07	Ø4.06-4.83	1761070-2
		7.62	9.07	Ø5.46-6.22	1761070-1
		A	B	RECOMMENDED CABLE Ø	PART NUMBER

THIS DRAWING IS A CONTROLLED DOCUMENT FOR TYCO ELECTRONICS CORPORATION IT IS SUBJECT TO CHANGE AND THE CONTROLLING ENGINEERING ORGANIZATION SHOULD BE CONTACTED FOR THE LATEST REVISION.

DWN J.GERACE 23APR04
 CHK C.ROHDE 23APR04
 APVD M.WALMSLEY 23APR04

Tyco Electronics Corporation
 Harrisburg, PA 17105-3608

NAME KIT, HSSDC2 PLUG INFINIBAND

SIZE A2 CAGE CODE 00779 DRAWING NO 1761070 RESTRICTED TO -

PRODUCT SPEC 108-1965
 APPLICATION SPEC 114-13097

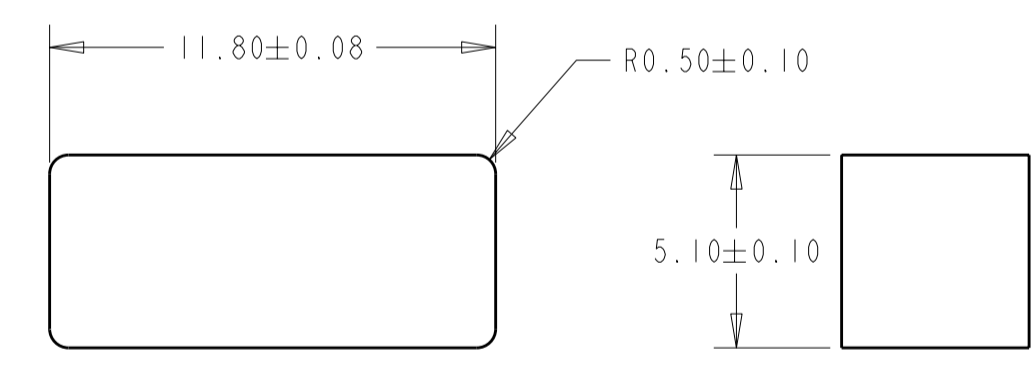
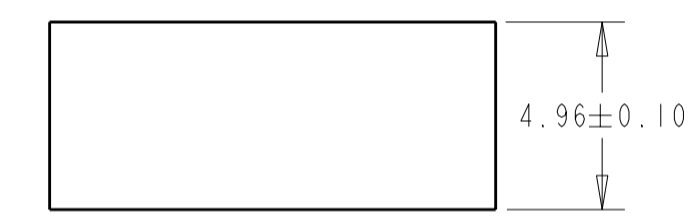
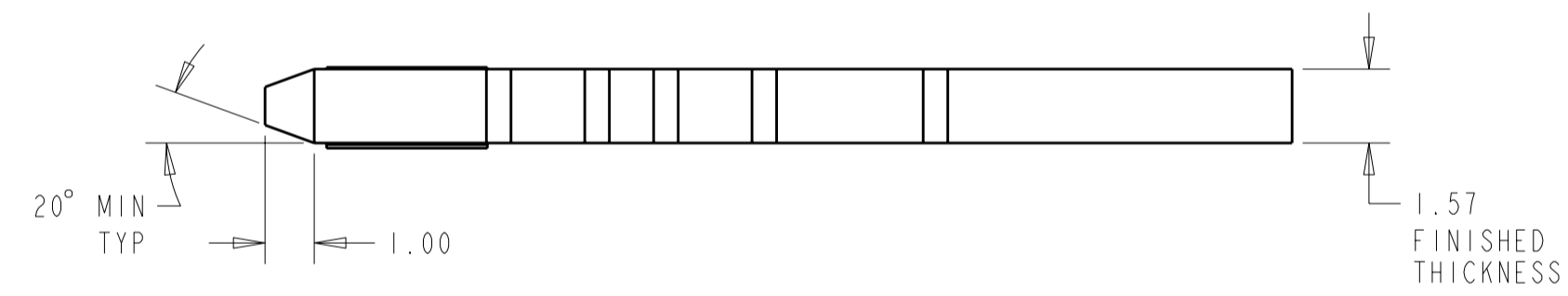
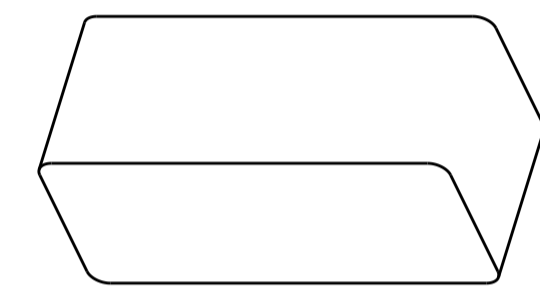
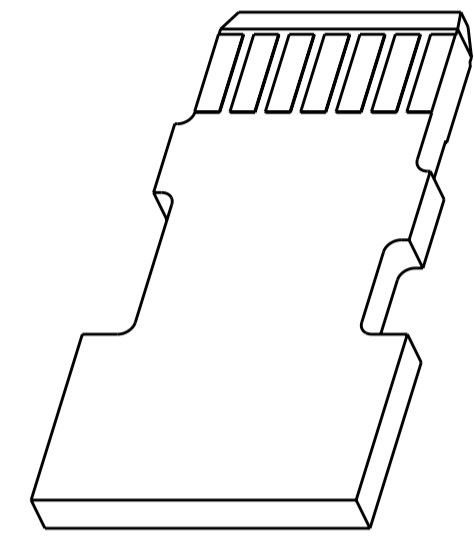
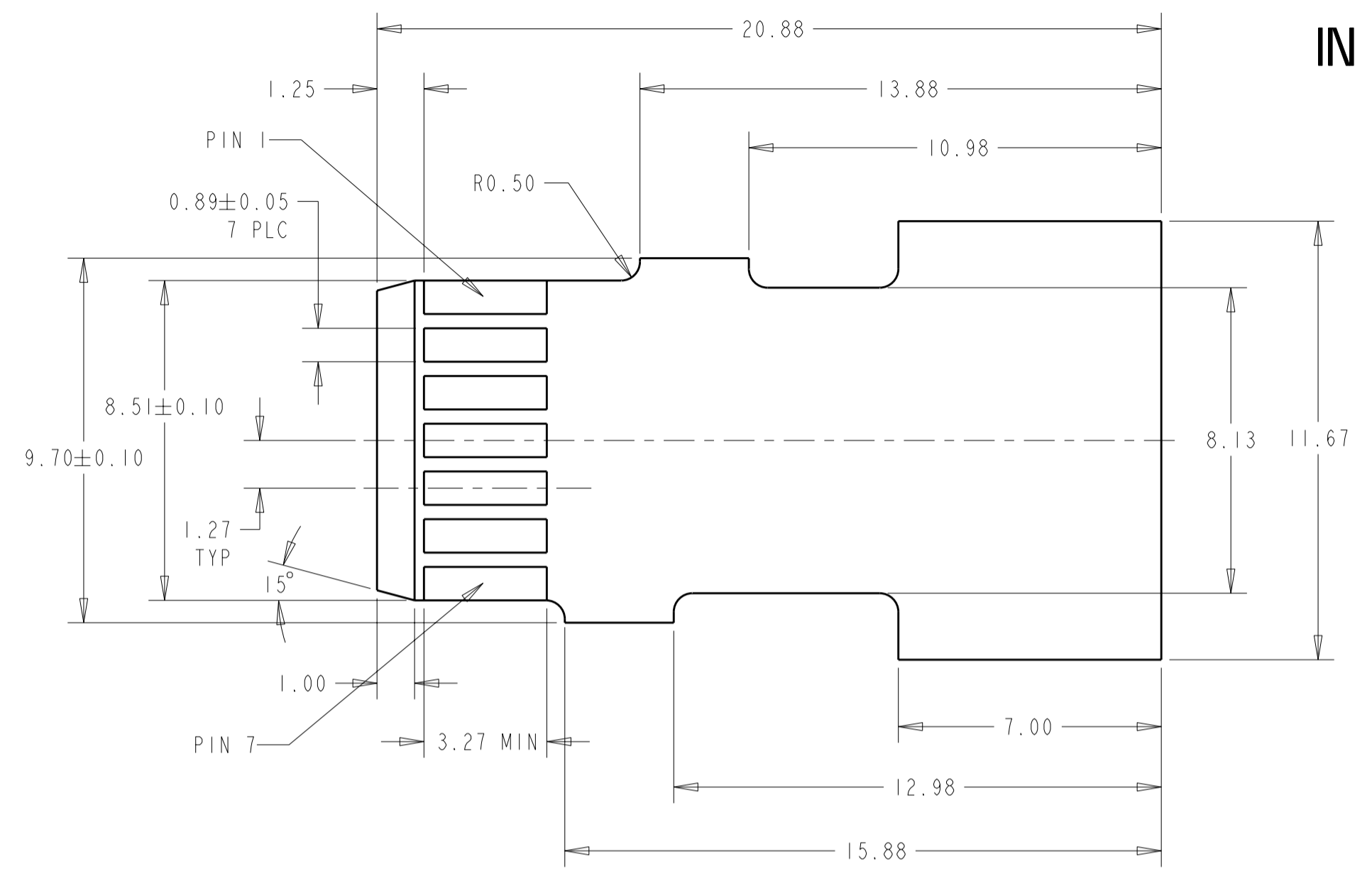
MATERIAL - FINISH - WEIGHT -

CUSTOMER DRAWING SCALE 5:1 SHEET 1 OF 2 REV A1

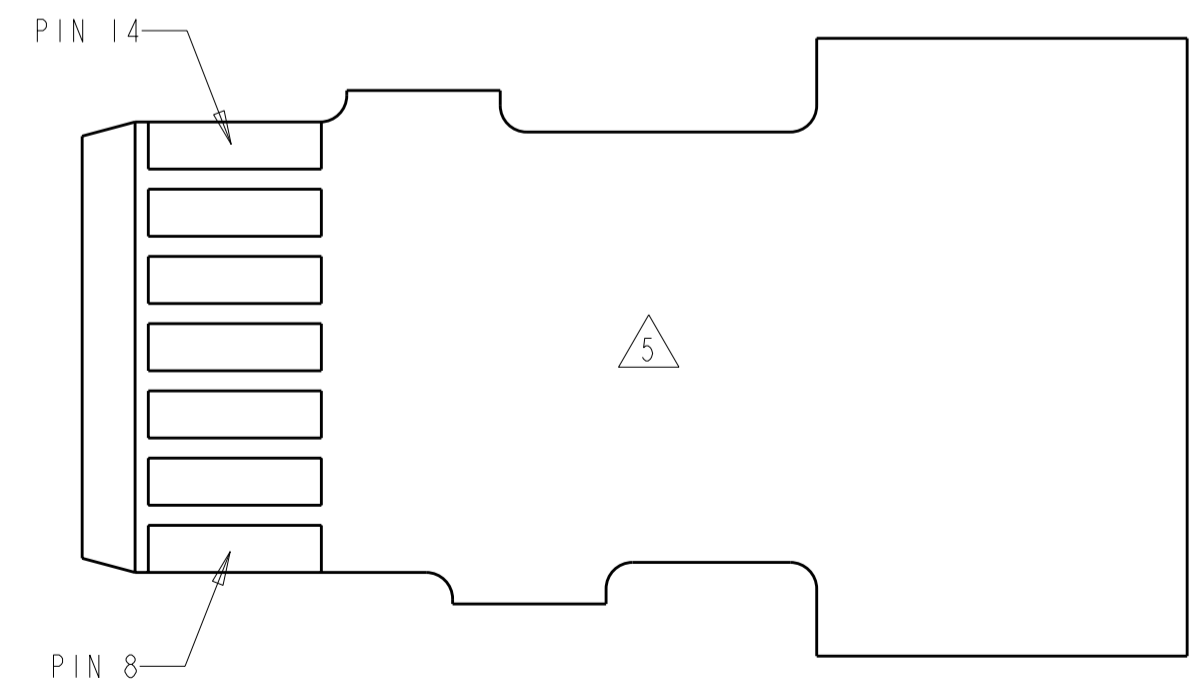
THIS DRAWING IS UNPUBLISHED. RELEASED FOR PUBLICATION 20
 © COPYRIGHT 20 BY TYCO ELECTRONICS CORPORATION. ALL RIGHTS RESERVED.

**PCB AND WIRE ORGANIZER
 ARE NOT INCLUDED
 IN THE CABLE PLUG KITS**

LOC	DIST	REVISIONS					
GP	00	P	LTR	DESCRIPTION	DATE	DWN	APVD
		-		SEE SHEET 1			



**WIRE ORGANIZER
 REFERENCE DIMENSIONS**



PCB PAD PLATING: 1.27µm MIN Au
 OVER 2.54µm MIN Ni

**PCB REFERENCE
 DIMENSIONS**

THIS DRAWING IS A CONTROLLED DOCUMENT FOR TYCO ELECTRONICS CORPORATION. IT IS SUBJECT TO CHANGE AND THE CONTROLLING ENGINEERING ORGANIZATION SHOULD BE CONTACTED FOR THE LATEST REVISION.		DWN J. GERACE 23APR04	AMP Incorporated Harrisburg, PA 17105-3608	
DIMENSIONS: mm		CHK C. ROHDE 23APR04	NAME KIT, HSSDC2 PLUG INFINIBAND	
TOLERANCES UNLESS OTHERWISE SPECIFIED: 0 PLC ±- 1 PLC ±- 2 PLC ±0.13 3 PLC ±- 4 PLC ±- ANGLES ±2° FINISH -		APVD M. WALMSLEY 23APR04	SIZE A2	
MATERIAL -		PRODUCT SPEC 108-1965	CAGE CODE 00779	DRAWING NO 1761070
		APPLICATION SPEC 114-13097	RESTRICTED TO -	
		WEIGHT -	SCALE 5:1	SHEET 2 OF 2 REV A1
		CUSTOMER DRAWING		