

MICROSWITCH
a Honeywell Division

FED. MFG. CODE 91929

BRIDGE PRESSURE SENSOR

176PCH SERIES CHART 1

CATALOG LISTING

THIS DRAWING COVERS A PROPRIETARY ITEM AND IS THE PROPERTY OF MICRO SWITCH. A DIVISION OF HONEYWELL. THIS DRAWING IS NOT TO BE COPIED OR USED WITHOUT THE APPROVAL OF MICRO SWITCH

GENERAL OPERATING CHARACTERISTICS
(ELECTRICAL PERFORMANCE AT 10.00±0.01 VDC EXCITATION, 25°C)

CATALOG LISTING	
①	176PC07HD2
	176PC14HG2
	176PC14HD2
	176PC28HG2
	176PC28HD2

PARAMETERS	PRESSURE RANGES (H ₂ O)	MIN	TYP	MAX	UNITS
NULL OFFSET	ALL	-2	0	+2	mV
NULL SHIFT $\triangle 2$ 0° ← 25° C → 50°			±3.0		
(P ₂ > P ₁) SPAN $\triangle 1$	0 TO 28 D&G	40	42	44	mV
	0 TO 14 D&G	33	35	37	
	0 TO 07 D&G	26	28	30	
(P ₂ > P ₁) SENSITIVITY PER IN. H ₂ O	0 TO 28 D&G		1.5		%SPAN
	0 TO 14 D&G		2.5		
	0 TO 07 D&G		4.0		
SPAN SHIFT $\triangle 2$ 0° ← 25° C → 50° AT 10 VDC AT 2mA	ALL			±3.5	%SPAN
			NONE		
LINEARITY (BFSL)	(P ₂ > P ₁) 0 TO 28 D&G			±3.0	%SPAN
	(P ₁ > P ₂) 0 TO 28 D			±1.5	
	(P ₂ > P ₁) 0 TO 14 D&G			±3.0	
	(P ₁ > P ₂) 0 TO 14 D			±1.5	
	(P ₂ > P ₁) 0 TO 07 D&G			±3.0	
REPEATABILITY & HYSTERESIS	ALL			±0.25	%SPAN
				±1.5	
STABILITY OVER 1 YEAR				±1.5	%SPAN
EXCITATION VOLTAGE			10	16	VDC
INPUT RESISTANCE			6.3K		OHMS
(P ₂ > P ₁) (P ₁ > P ₂) OVERPRESSURE	0 TO 28 D&G			140	IN. H ₂ O
	0 TO 14 D&G			140	
	0 TO 07 D&G			140	
TEMPERATURE STORAGE	ALL	-55° TO +125°C (-67° TO +257°F)			
OPERATE		-40° TO +85°C (-40° TO +185°F)			
COMPENSATED		0°C TO +50°C (+32° TO +122°F)			

CATALOG LISTING
176PCH SERIES CHART 1

PAGE 1 OF 1

ISSUE
7

CMH

CHECK

REVISIONS

A 201670
TSM
15NOV00

B 205984
DLT
15 JUL 02

C 0033081
DDN
27 AUG 07

CHECK

15NOV00

SAV

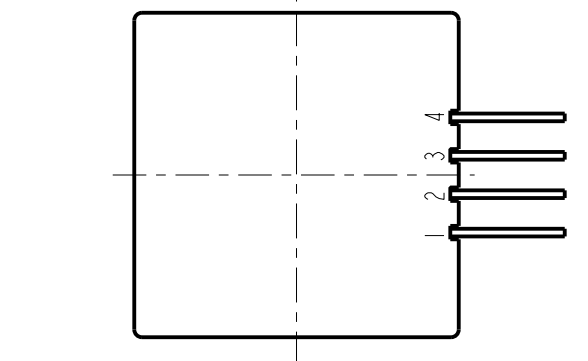
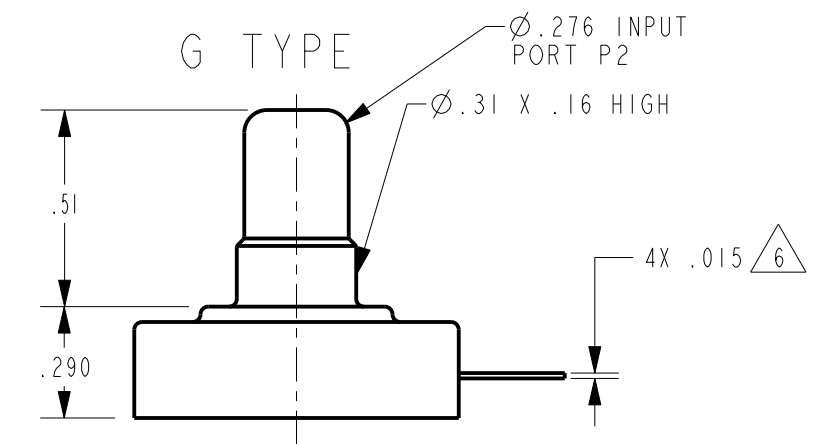
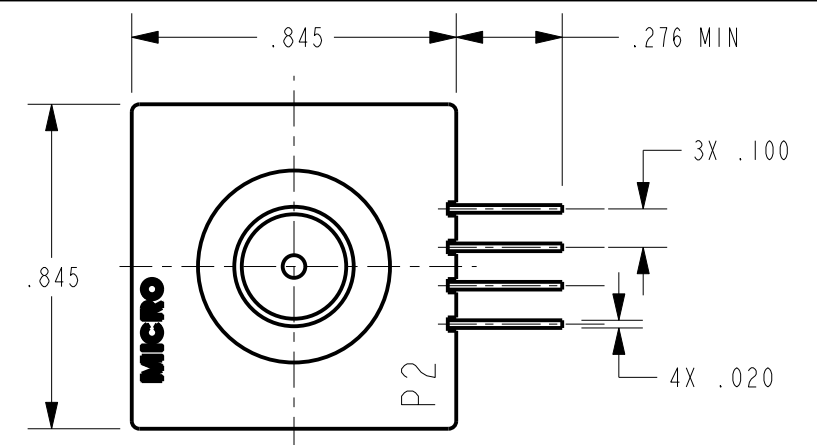
CHECK

15NOV00

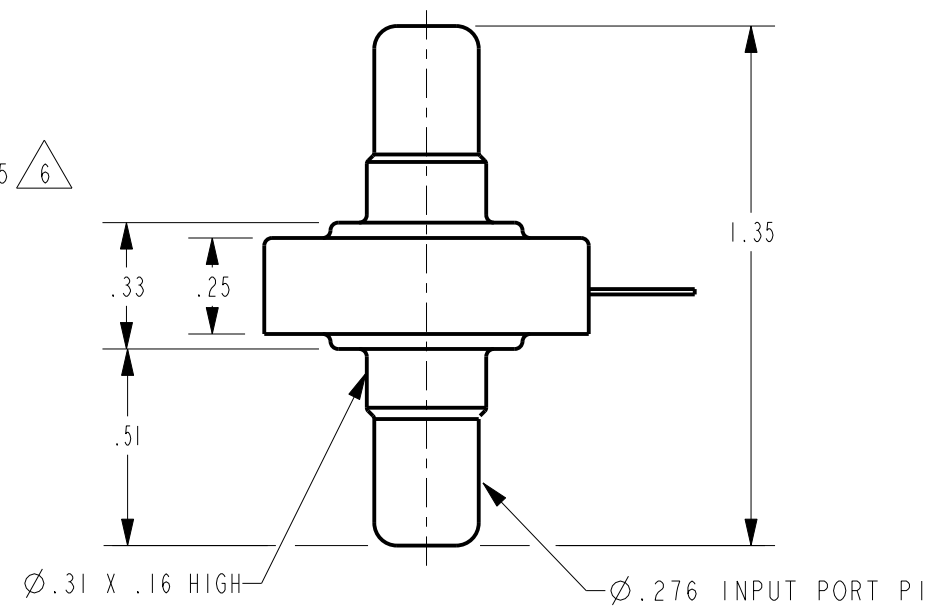
DRAWN

PTC/CAD 2D

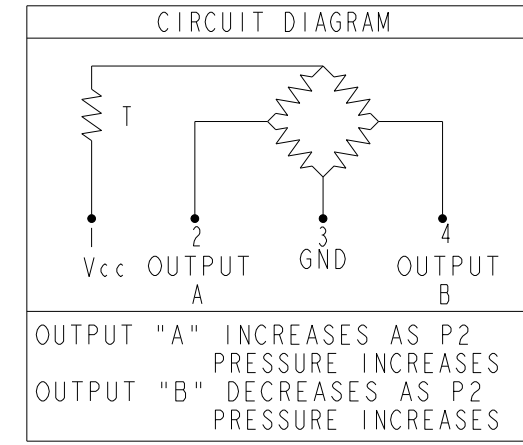
REPLACES
RELEASE NO. CO-74682
27 AUG 07
CMH
CHECK
15NOV00
SAV
CHECK
15NOV00
DRAWN



D TYPE



- NOTES**
- SPAN IS THE ALGEBRAIC DIFFERENCE BETWEEN END POINTS (OUTPUT AT MINIMUM AND MAXIMUM PRESSURE)
 - TEMPERATURE ERROR IS CALCULATED WITH RESPECT TO 25°C AND EXPRESSES THE DEVIATION THAT COULD OCCUR AS TEMPERATURE IS RAISED OR LOWERED TO LIMITS INDICATED
 - INPUT MEDIA: P₁ - DRY GASES ONLY: CONNECTION SIDE OF SENSOR
P₂ - LIMITED ONLY TO THOSE MEDIA THAT WILL NOT ATTACK POLYESTER, SILICON OR SILICONE BASED ADHESIVE
 - TERMINALS ARE PLATED FOR SOLDERING
 - LIMIT SOLDERING TO 315°C FOR 10 SECONDS MAX
 - LISTINGS ENDING WITH THE NUMBER 2 INDICATES STRAIGHT LEADS



THIRD ANGLE PROJECTION

SCALE 2 : 1

DO NOT SCALE PRINT

UNLESS OTHERWISE SPECIFIED TOLERANCES ARE

ONE PLACE (.0)	±.030
TWO PLACE (.00)	±.015
THREE PLACE (.000)	±.005
ANGLES	±

WEIGHT 2 OZ