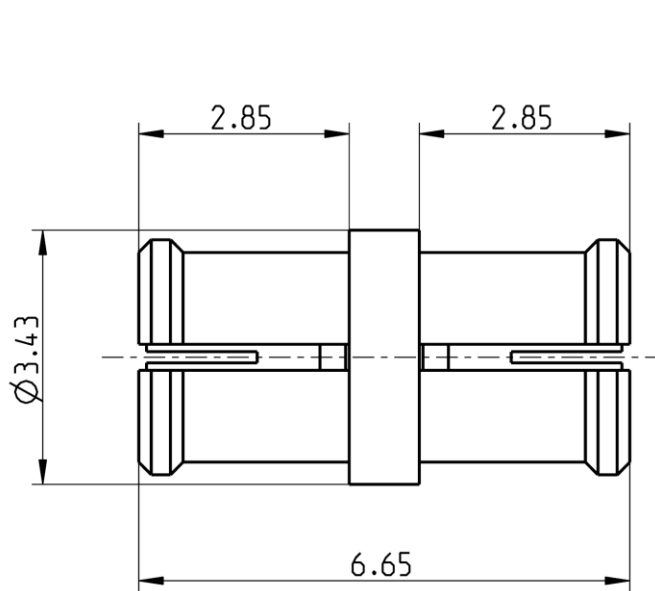


Longwipe-SMP

Adaptor
Long Wipe SMP Jack –
Long Wipe SMP Jack

17K117-K02L5



All dimensions are in mm; tolerances according to ISO 2768 m-H

Interface

According to Long-wipe SMP (Rosenberger 17S000-000)

Documents

N/A

Material and plating

Connector parts

Center contact
Outer contact
Dielectric

Material

CuBe
CuBe
PTFE

Plating

AuroDur®, gold plated
AuroDur®, gold plated

Dieses Dokument ist urheberrechtlich geschützt • This document is protected by copyright • Rosenberger Hochfrequenztechnik GmbH & Co. KG

RF_35/09.14/6.2

Longwipe-SMP

Adaptor
Long Wipe SMP Jack –
Long Wipe SMP Jack

17K117-K02L5

Electrical data

| | |
|---------------------------|----------------------|
| Impedance | 50 Ω |
| Frequency | DC to 6 GHz |
| Return loss | ≥ 26 dB, DC to 4 GHz |
| Insertion loss | ≤ 0.05 x √f(GHz) dB |
| Insulation resistance | ≥ 5 GΩ |
| Center contact resistance | ≤ 6.0 mΩ |
| Outer contact resistance | ≤ 2.0 mΩ |
| Test voltage | 500 V rms |
| Working voltage | 335 V rms |
| Contact Current | ≤ 1.2A DC |

Mechanical data

| | |
|----------------------------------|---------|
| Mating cycles | |
| if mating part is Smooth Bore | ≥ 1000 |
| if mating part is Limited Detent | ≥ 500 |
| if mating part is Full Detent | ≥ 100 |
| Center contact captivation | ≥ 5 N |
| Engagement force | |
| - Smooth Bore | ≤ 9 N |
| - Limited Detent | ≤ 45 N |
| - Full Detent | ≤ 68 N |
| Disengagement force | |
| - Smooth Bore | ≥ 2.2 N |
| - Limited Detent | ≥ 9 N |
| - Full Detent | ≥ 22 N |

Environmental data

| | |
|---------------------|--------------------------------------|
| Temperature range | -65 °C to +155 °C |
| Thermal shock | MIL-STD-202, Method 107, Condition B |
| Vibration | MIL-STD-202, Method 204, Condition B |
| Shock | MIL-STD-202, Method 213, Condition A |
| Moisture resistance | MIL-STD-202, Method 106 |
| RoHS | compliant |

Tooling

N/A

Suitable cables

N/A

Weight

Weight 0.15 g/pce

While the information has been carefully compiled to the best of our knowledge, nothing is intended as representation or warranty on our part and no statement herein shall be construed as recommendation to infringe existing patents. In the effort to improve our products, we reserve the right to make changes judged to be necessary.

For the installation of the electrotechnical equipment, particular electrotechnical expertise is required.



| | | | | | | | |
|-----------------|----------|-------------|----------|------|---------------------------|----------------|----------|
| Draft | Date | Approved | Date | Rev. | Engineering change number | Name | Date |
| Gramsamer Josef | 09.09.09 | Chr. Janßen | 20.10.20 | c00 | 20-1927 | S. Huber-Siegl | 20.10.20 |

| | | | | | | | |
|--|--|--|--|--|--|---------------|--|
| Rosenberger Hochfrequenztechnik GmbH & Co. KG P.O.Box 1260 D-84526 Tittmoning Germany www.rosenberger.de | | | | Tel. : +49 8684 18-0 Email : info@rosenberger.de | | Page 2 / 2 | |
|--|--|--|--|--|--|---------------|--|