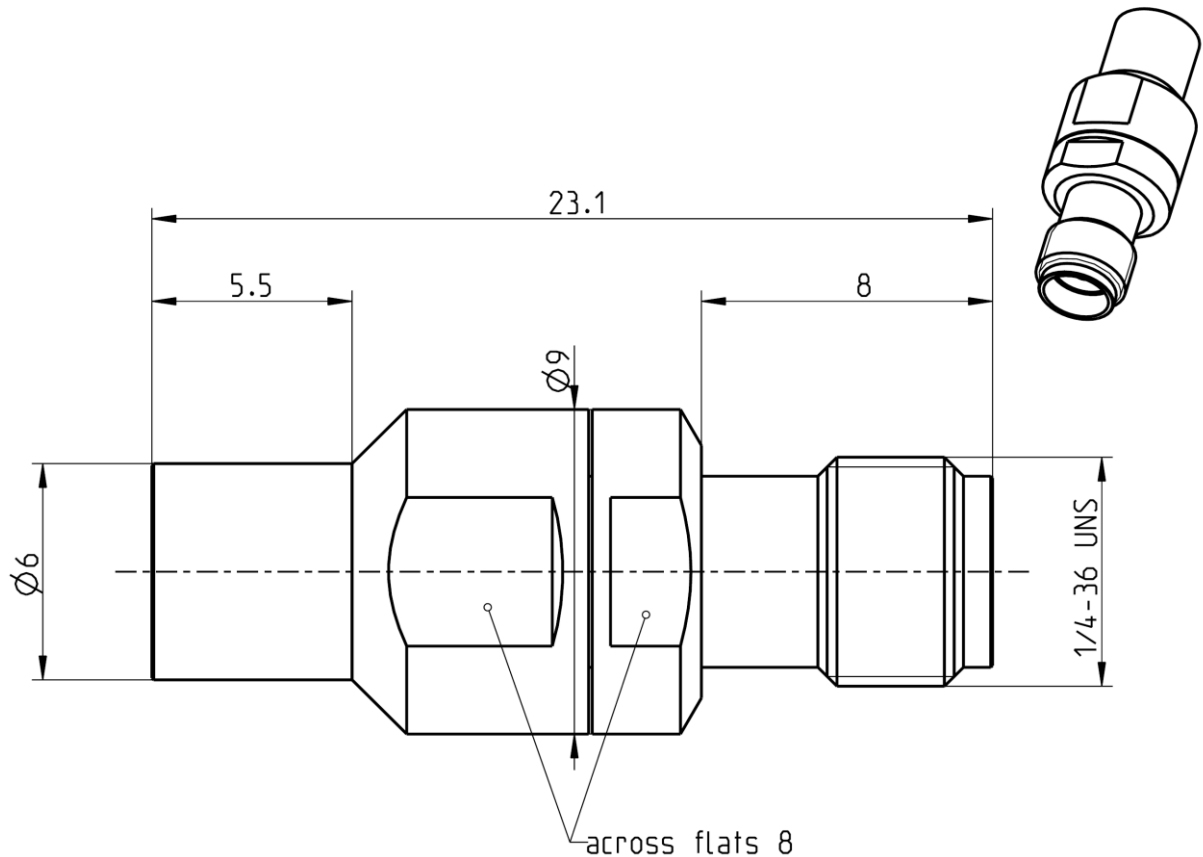


Longwipe-SMP

Adaptor
Longwipe-SMP Plug –
SMA Jack

17S132-K00S5



All dimensions are in mm; tolerances according to ISO 2768 m-H

Interface

Related to	Long-wipe SMP	MIL-STD-348A, Fig. 326
According to		Rosenberger 17S000-000
	SMA side:	IEC 60169-15; EN 122110; MIL-STD-348A, Fig. 310

Documents

N/A

Material and plating

Connector parts

Center contact
Outer contact Long-wipe SMP side
Outer contact SMA side
Dielectric

Material

CuBe
Stainless steel
Stainless steel
PTFE

Plating

AuroDur®, gold plated
Passivated
Passivated

Dieses Dokument ist urheberrechtlich geschützt • This document is protected by copyright • Rosenberger Hochfrequenztechnik GmbH & Co. KG

RF_35/09.14/6.2

Longwipe-SMP

Adaptor
Longwipe-SMP Plug –
SMA Jack

17S132-K00S5

Electrical data

Impedance	50 Ω	
Frequency	DC to 6 GHz	
Return loss	≥ 35 dB, DC to 3 GHz	
	≥ 26 dB, 3 to 6 GHz	
Insertion loss	≤ 0.05 x √f(GHz) dB	
Insulation resistance	≥ 5 GΩ	
Center contact resistance	≤ 6.0 mΩ, Long-wipe SMP side;	≤ 3 mΩ, SMA side
Outer contact resistance	≤ 2.0 mΩ, Long-wipe SMP side;	≤ 2 mΩ, SMA side
Test voltage	500 V rms	
Working voltage	335 V rms (sea level)	

Mechanical data

	Long-wipe SMP side	SMA side
Mating cycles		min. 500
if mating part is smooth bore	≥ 1000	
Center contact captivation: axial	≥ 27 N	≥ 27 N
Engagement force		N/A
- smooth bore	9 N max.	
Disengagement force		N/A
- smooth bore	2.2 N min.	
Coupling test torque	N/A	max. 1.7 Nm
Recommended torque	N/A	0.8 Nm to 1.1 Nm

Environmental data

Temperature range	-65°C to +155°C
Thermal shock	MIL-STD-202, Method 107, Condition B
Vibration	MIL-STD-202, Method 204, Condition B
Shock	MIL-STD-202, Method 213, Condition A
Moisture resistance	MIL-STD-202, Method 106
RoHS	compliant

Tooling

N/A

Suitable cables

N/A

Weight

Weight 5.5 g/pce

While the information has been carefully compiled to the best of our knowledge, nothing is intended as representation or warranty on our part and no statement herein shall be construed as recommendation to infringe existing patents. In the effort to improve our products, we reserve the right to make changes judged to be necessary.

For the installation of the electrotechnical equipment, particular electrotechnical expertise is required.



Draft	Date	Approved	Date	Rev.	Engineering change number	Name	Date
A. König	22.01.08	Chr. Janßen	21.10.20	c00	20-1927	S. Huber-Siegl	21.10.20

Rosenberger Hochfrequenztechnik GmbH & Co. KG
P.O.Box 1260 D-84526 Tittmoning Germany
www.rosenberger.de

Tel. : +49 8684 18-0
Email : info@rosenberger.de

Page
2 / 2