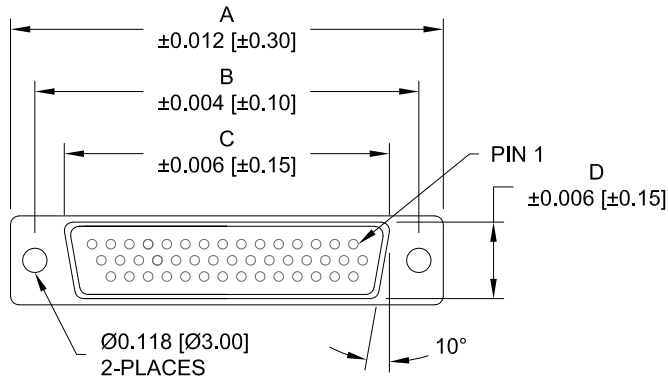


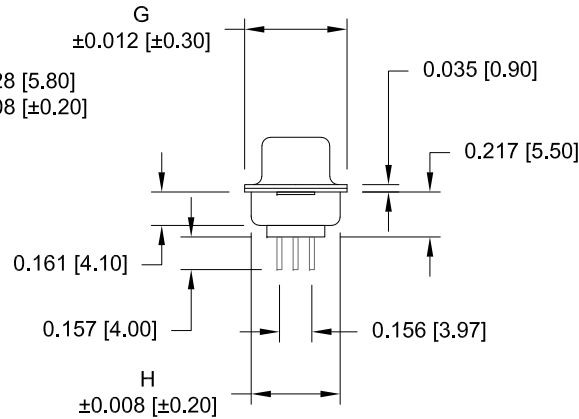
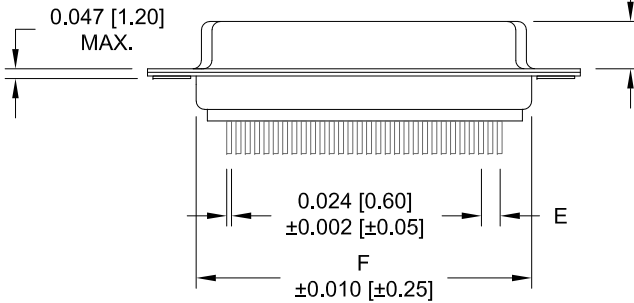
DESCRIPTION: HIGH DENSITY FEMALE - VERTICAL DIP SOLDER

DIMENSIONS

Insulator Material	No. OF PINS	A	B	C	D	E	F	G	H
PA9T	15	1.213	0.984	0.643	0.311	0.090	0.756	0.496	0.429
		30.80	24.99	16.34	7.90	2.29	19.20	12.60	10.90
PA9T	26	1.543	1.312	0.972	0.311	0.090	1.091	0.496	0.429
		39.20	33.32	24.70	7.90	2.29	27.70	12.60	10.90
PA9T	44	2.087	1.852	1.512	0.311	0.090	1.618	0.496	0.429
		53.00	47.04	38.40	7.90	2.29	41.10	12.60	10.90
PA6T	62	2.732	2.500	2.157	0.311	0.095	2.256	0.496	0.429
		69.40	63.50	54.80	7.90	2.41	57.30	12.60	10.90
PA6T	78	2.638	2.406	2.055	0.429	0.095	2.169	0.606	0.526
		67.00	61.10	52.20	10.90	2.41	55.10	15.40	13.35



4 ROWS



180-YYY-213RYY1

- SERIES
- POSITIONS
  - 015
  - 026
  - 044
  - 062
  - 078
- GENDER
- TERMINATION
  - 2 = FEMALE
  - 1 = VERTICAL DIP SOLDER
- SHELL PLATING
  - 2 = TIN
  - 3 = NICKEL
- RoHS COMPLIANT (260°C)
- HARDWARE OPTIONS
  - 00 = NO HARDWARE
  - 01 = .098" CLINCH NUT (BOARD SIDE)
  - 02 = .236" CLINCH NUT (BOARD SIDE)
  - 03 = .236" CLINCH NUT (MATING SIDE)
  - 05 = .237" 4-40 BOARD LOCK
  - 08 = .224" 4-40 BOARD LOCK
  - 90 = .237" 4-40 BOARD LOCK FOR 0.093" BOARD MAX.
  - 91 = .237" 4-40 SPACER/BOARD LOCK
  - 92 = .237" 4-40 SPACER/BOARD LOCK FOR 0.093" BOARD MAX.
- PLATING OPTIONS
  - 1 = GOLD FLASH
  - A = 30u" GOLD MATING AREA, GOLD FLASH OVERALL

MATERIAL:

- SHELL: STEEL, NICKEL PLATED
- INSULATOR: GLASS FILLED THERMOPLASTIC, UL 94V-O RATED
- CONTACT: BRASS, GOLD PLATED OVER NICKEL

ELECTRICAL:

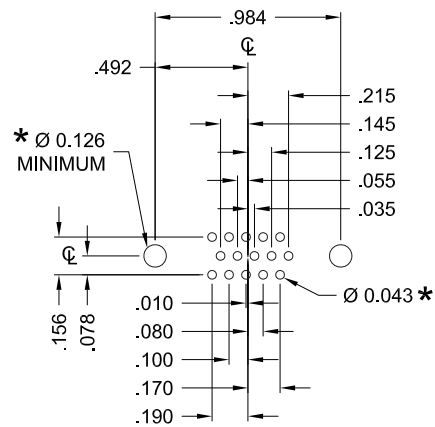
- CURRENT RATING: 3 AMPS
- CONTACT RESISTANCE: 15 mOhms Max.
- INSULATION RESISTANCE: 1,000 MOhms min.
- VOLTAGE: 500VAC FOR 1 MINUTE
- TEMPERATURE: -50° C TO 100° C

DO NOT SCALE FROM DRAWING

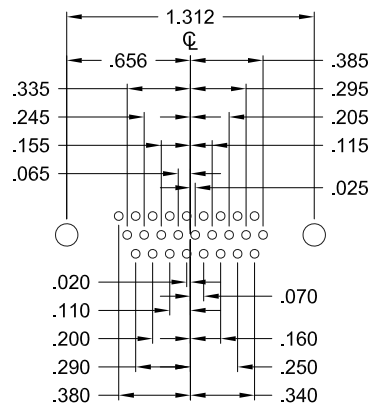
RoHS COMPLIANT

	THESE DRAWINGS AND SPECIFICATIONS ARE THE PROPERTY OF NorComp AND SHALL NOT BE REPRODUCED, COPIED OR USED AS THE BASIS FOR THE MANUFACTURE OF SALE OF APPARATUS WITHOUT WRITTEN PERMISSION.		DRAWN: <b>PAM JENKINS</b>	DATE: <b>09-12-05</b>
	NorComp		SCALE: NTS	SHEET OF 1 3
DWG NO. <b>180-YYY-213RYY1</b>				

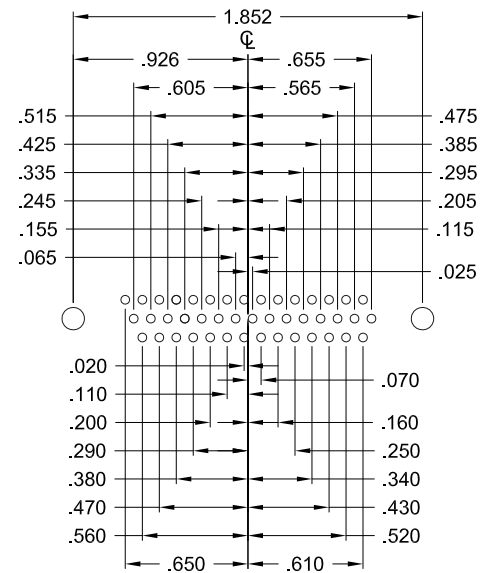
DESCRIPTION: PCB LAYOUT - VERTICAL - FEMALE



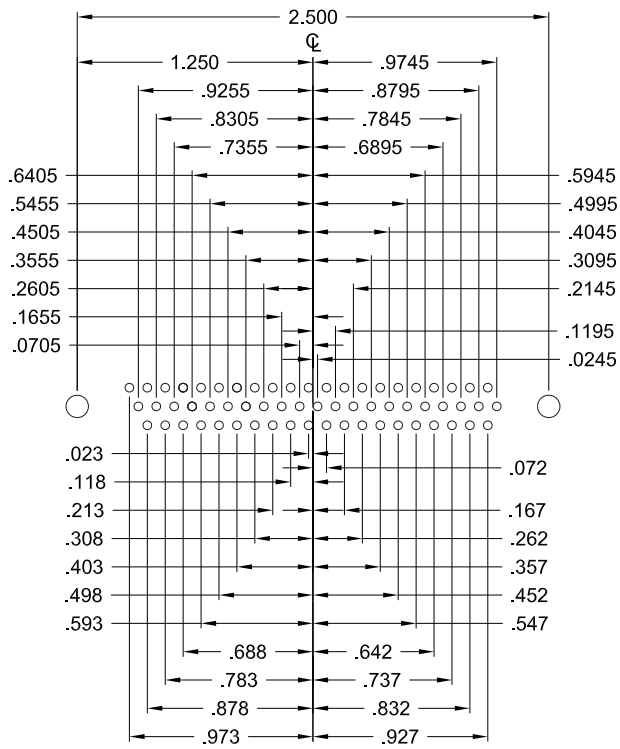
15 POSITION



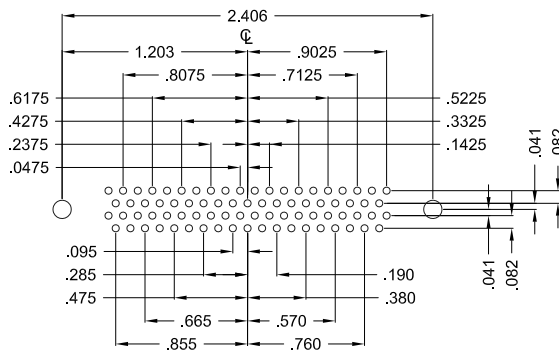
26 POSITION



44 POSITION



62 POSITION



78 POSITION

HOLE PATTERN SHOWN ARE FOR FEMALE

UNITS = inch

\* TYP. SUGGESTED SIZE MAY NOT BE SUITABLE FOR ALL APPLICATIONS

DO NOT SCALE FROM DRAWING



THESE DRAWINGS AND SPECIFICATIONS ARE THE PROPERTY OF NorComp AND SHALL NOT BE REPRODUCED, COPIED OR USED AS THE BASIS FOR THE MANUFACTURE OF SALE OF APPARATUS WITHOUT WRITTEN PERMISSION.

**NorComp**

DRAWN: <b>PAM JENKINS</b>		DATE: <b>09-12-05</b>	
SCALE: <b>NTS</b>	SHEET <b>2</b>	OF <b>3</b>	REV <b>23</b>
DWG NO. <b>180-YYY-213RYY1</b>			