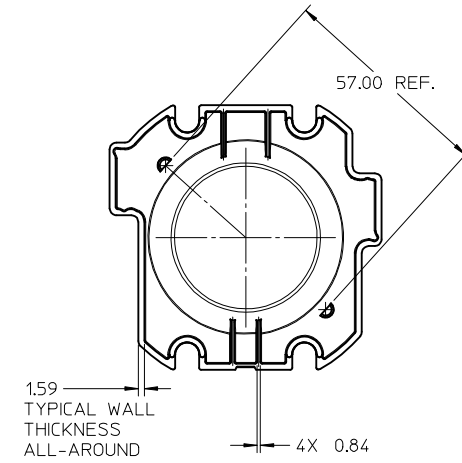
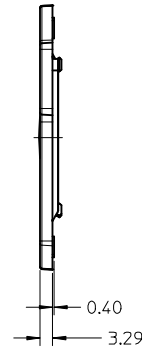
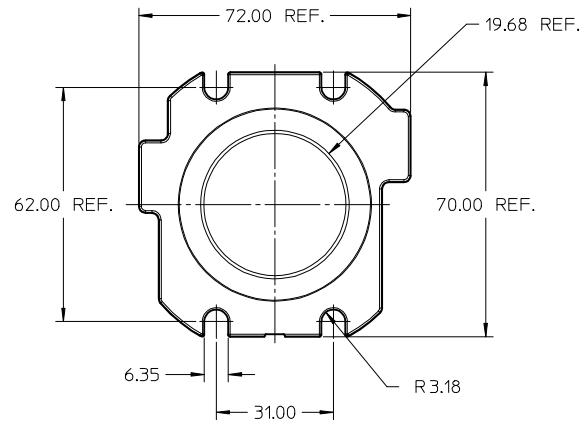
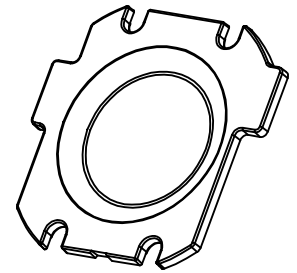
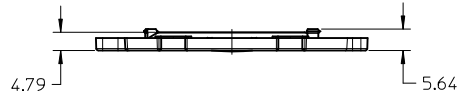


- NOTES:
 1. MATERIAL: CLEAR POLYCARBONATE UL94HB.
 2. THIS PRODUCT IS ELV AND ROHS COMPLIANT.

INITIAL RELEASE EC NO: SSL2013-0009 DRAWN: MDEVITO 2012/07/24 CHKD: CCARRANZA 2012/07/24 APPR: DMCGOWAN 2012/07/25	QUALITY SYMBOLS	GENERAL TOLERANCES (UNLESS SPECIFIED)		DIMENSION STYLE MM ONLY		SCALE 1:1	DESIGN UNITS METRIC	THIRD ANGLE PROJECTION	
	▽=0	4 PLACES ± --- ± ---	mm	INCH	DRAWN BY MDEVITO	DATE 2012/07/24	TITLE BRIDGELUX RS LED HOLDER LENS (SALES)		
	▽=0	3 PLACES ± --- ± ---			CHECKED BY CCARRANZA	DATE 2012/07/24			
	▽=0	2 PLACES ± 0.13 ± ---			APPROVED BY DMCGOWAN	DATE 2012/07/25	molex MATERIAL NO. 1801820000 DOCUMENT NO. SD-180182-0000		
▽=0	1 PLACE ± 0.25 ± ---			ANGULAR ±1/2° DRAFT WHERE APPLICABLE MUST REMAIN WITHIN DIMENSIONS		SHEET NO. 1 OF 1			
1	REV	SIZE C THIS DRAWING CONTAINS INFORMATION THAT IS PROPRIETARY TO MOLEX INCORPORATED AND SHOULD NOT BE USED WITHOUT WRITTEN PERMISSION							



- NOTES:
 1. MATERIAL: CLEAR POLYCARBONATE UL94HB.
 2. THIS PRODUCT IS ELV AND ROHS COMPLIANT.

INITIAL RELEASE EC NO: SSL2013-0009 DRAWN: MDEVITO 2012/07/24 CHKD: CCARRANZA 2012/07/24 APPR: DMCGOWAN 2012/07/25	QUALITY SYMBOLS ▽=0 ▽=0 ▽=0	GENERAL TOLERANCES (UNLESS SPECIFIED)		DIMENSION STYLE MM ONLY		SCALE 1:1	DESIGN UNITS METRIC	THIRD ANGLE PROJECTION			
		4 PLACES ± --- ± ---	3 PLACES ± --- ± ---	2 PLACES ± 0.13 ± ---	1 PLACE ± 0.25 ± ---	0 PLACE ± --- ± ---	DRAWN BY DATE MDEVITO 2012/07/24		TITLE BRIDGELUX RS LED HOLDER LENS (SALES)		
		ANGULAR ±1/2°		DRAFT WHERE APPLICABLE MUST REMAIN WITHIN DIMENSIONS		APPROVED BY DATE DMCGOWAN 2012/07/25		MATERIAL NO. 1801820000		DOCUMENT NO. SD-180182-0000	SHEET NO. 1 OF 1
		THIS DRAWING CONTAINS INFORMATION THAT IS PROPRIETARY TO MOLEX INCORPORATED AND SHOULD NOT BE USED WITHOUT WRITTEN PERMISSION									