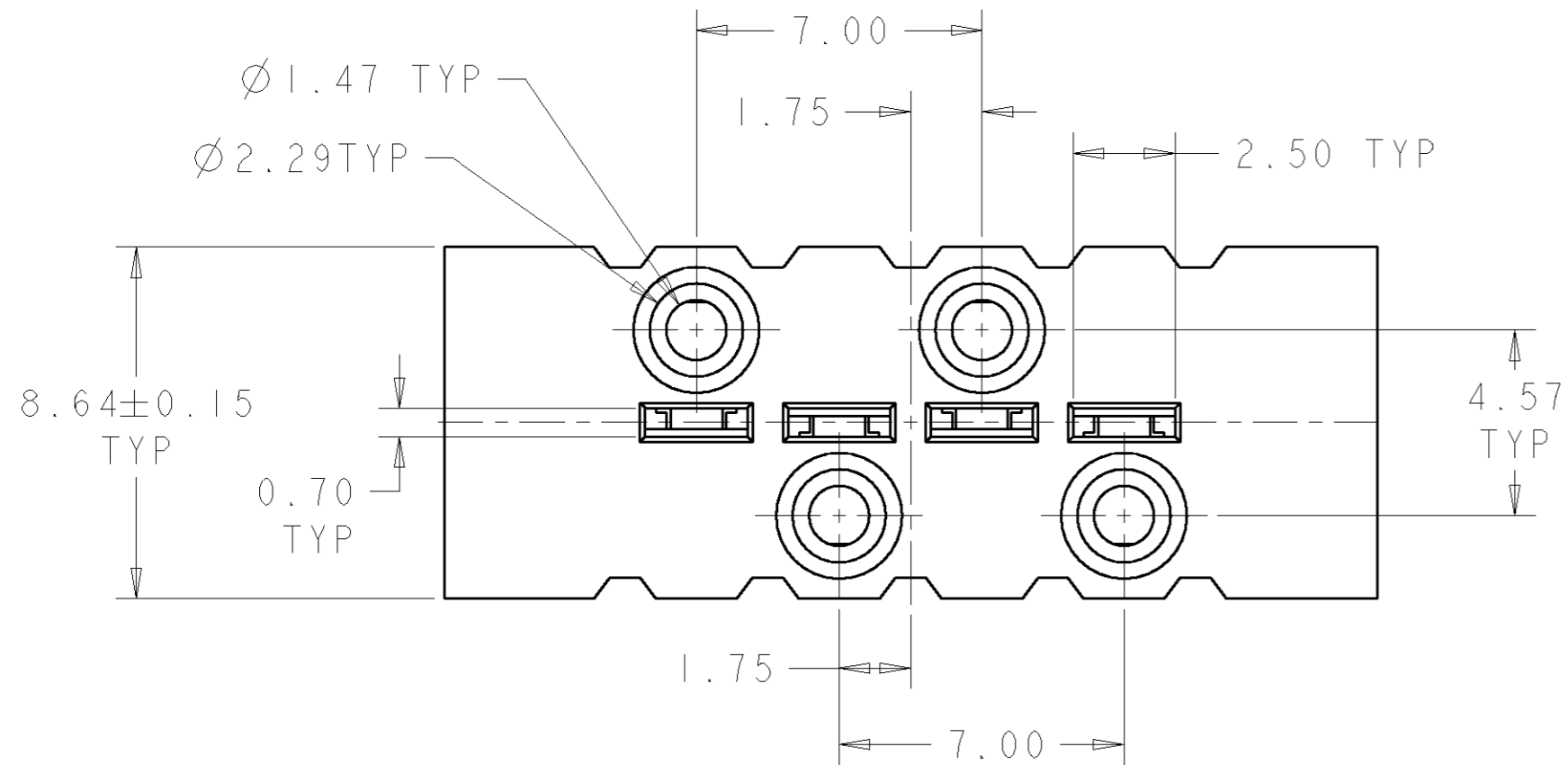
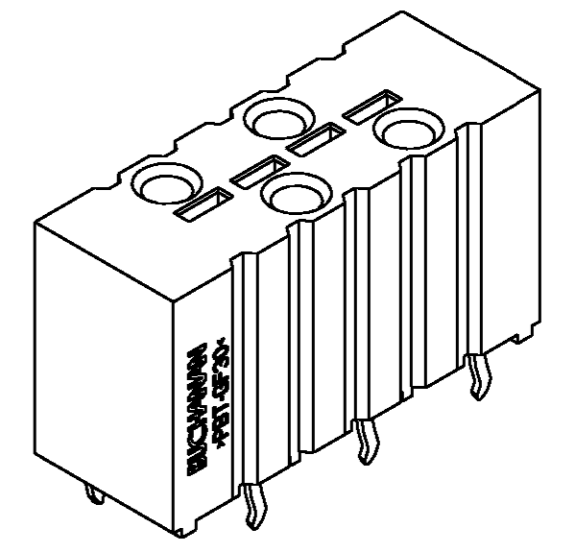


THIS DRAWING IS UNPUBLISHED. RELEASED FOR PUBLICATION 20
 © COPYRIGHT 20 BY TYCO ELECTRONICS CORPORATION. ALL RIGHTS RESERVED.

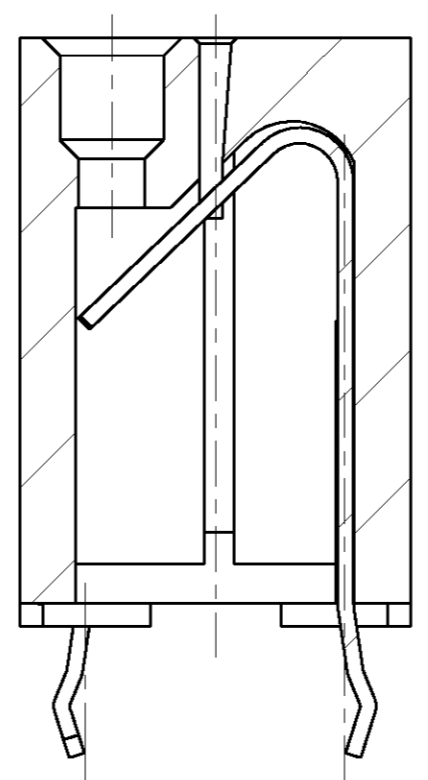
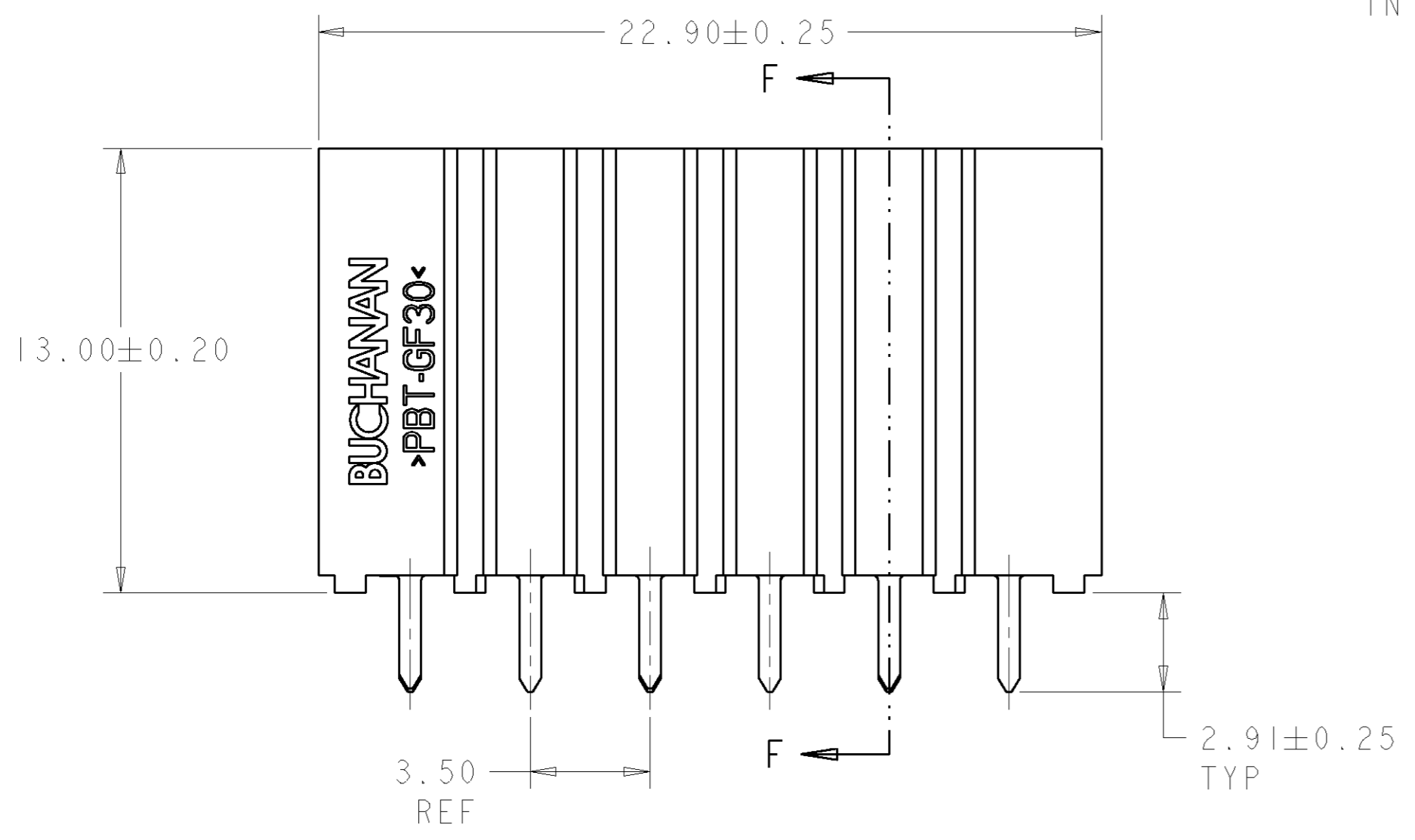
LOC		DIST		REVISIONS			
P	LTR	DESCRIPTION	DATE	DWN	APVD		
	A	RELEASED	13SEP2005	-	CR		



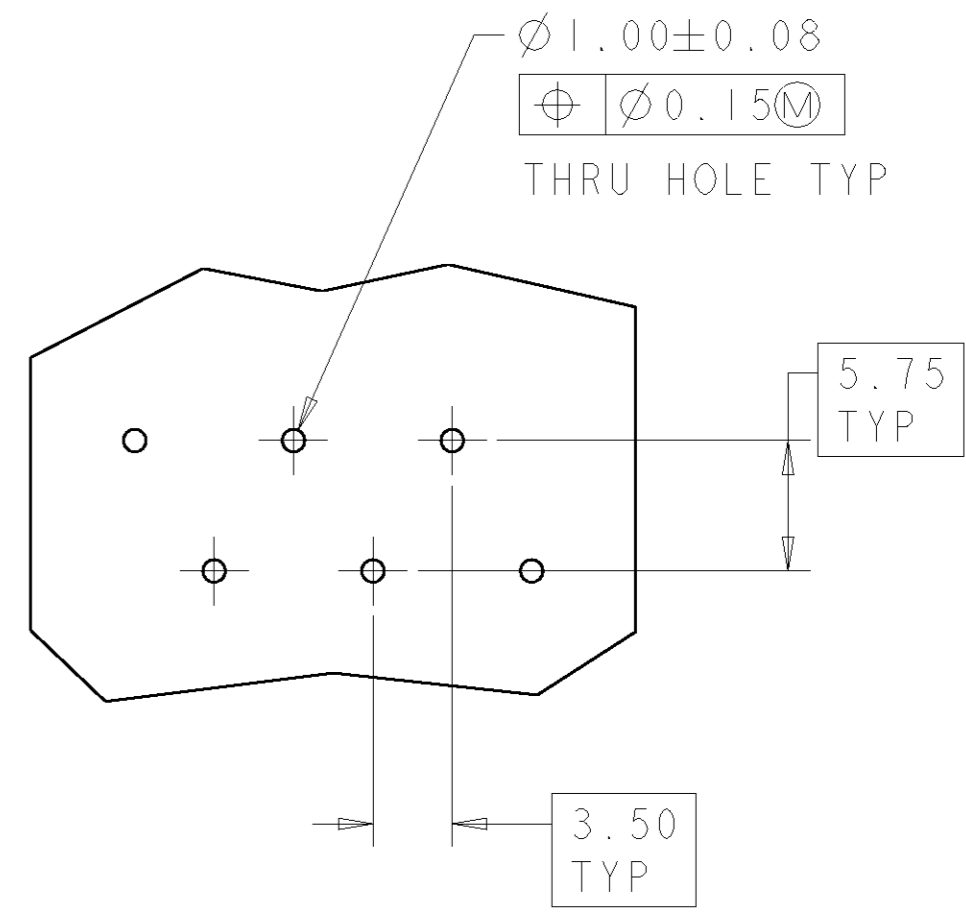
- 1 MATERIAL: HOUSING: PTB, UL94-V0, COLOR NATURAL. CONTACTS: PHOSPHOR BRONZE.
- 2 PLATING: CONTACTS: PRE TIN, 2.5µm MIN OVER 0.76µm MIN NICKEL (CONTACT EDGES WILL BE UNPLATED)
- 3. WIRE SIZE: 18AWG SOLID CONDUCTOR Ø2.16mm MAXIMUM INSULATION. STRIP LENGTH = 9.53±1.00.
- 4. WHEN WIRE INSULATION STRIP LENGTH IS 9.53mm, CONDUCTOR TIP WILL BE 1.08mm NOMINAL FROM BOARD SURFACE WHEN INSULATION BOTTOMS IN HOUSING CAVITY.



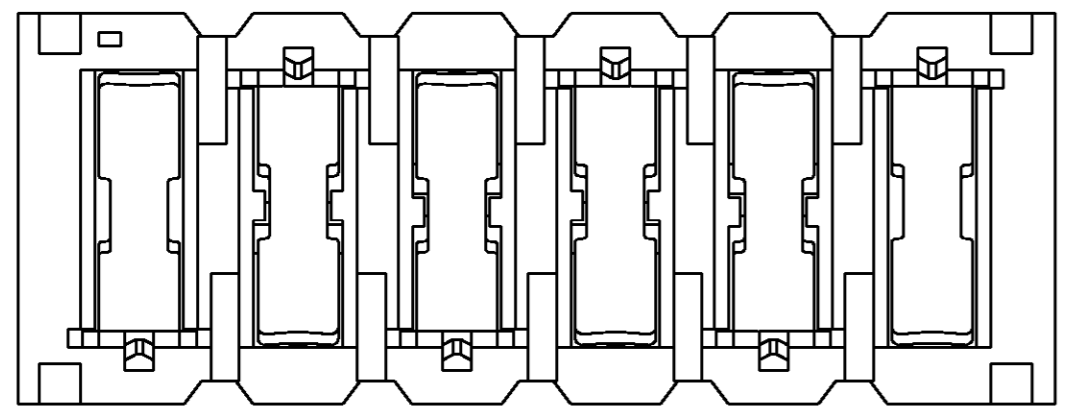
SCALE 3:1



SECTION F-F



PCB LAYOUT VIEWED FROM CONNECTOR MOUNTING SIDE SCALE 3:1



1811444-1
PART NO

THIS DRAWING IS A CONTROLLED DOCUMENT FOR TYCO ELECTRONICS CORPORATION IT IS SUBJECT TO CHANGE AND THE CONTROLLING ENGINEERING ORGANIZATION SHOULD BE CONTACTED FOR THE LATEST REVISION.		DWN W.G. LENKER 21OCT2004	BUCHANAN Tyco Electronics Harrisburg, PA 17105-3608	
DIMENSIONS: mm		CHK J. LANDIS 21OCT2004	NAME ASSEMBLY, WIRE CONNECTOR, SCREWLESS, VERTICAL, 6 POSITION, 4 ACTIVE	
TOLERANCES UNLESS OTHERWISE SPECIFIED: 0 PLC ± 1 PLC ± 2 PLC ±0.13 3 PLC ± 4 PLC ± ANGLES ± FINISH		APVD C. RICHARD 13SEP2005	PRODUCT SPEC 108-2059 APPLICATION SPEC 114-13075	
MATERIAL		WEIGHT -	SIZE A2	CAGE CODE 00779
1		DRAWING NO 1811444		RESTRICTED TO -
2		CUSTOMER DRAWING		SCALE 6:1 SHEET 1 OF 1 REV A