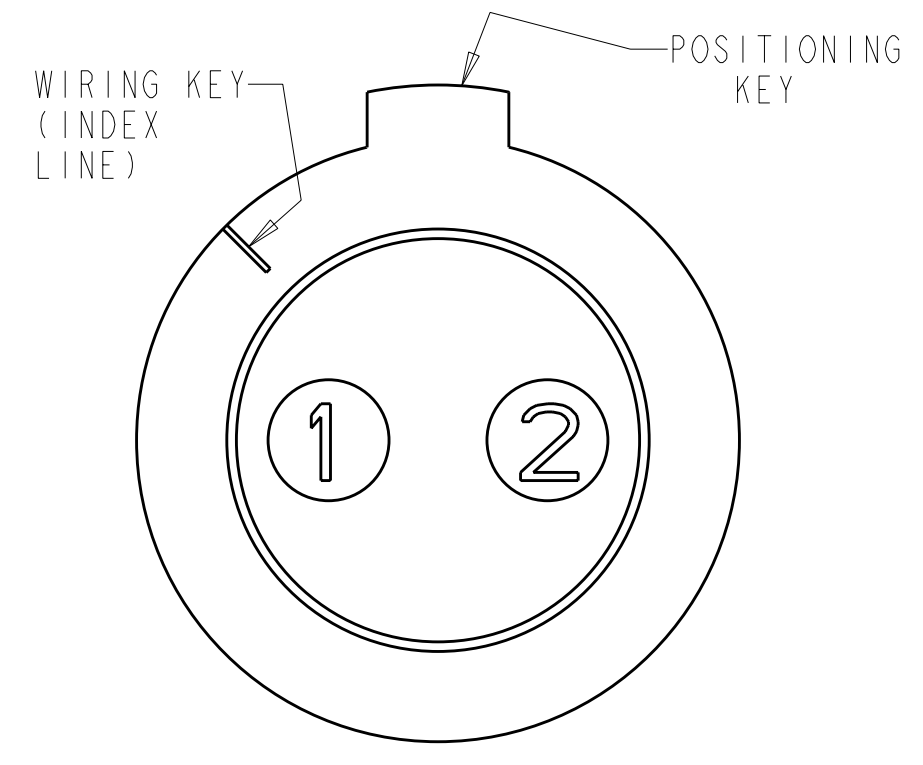
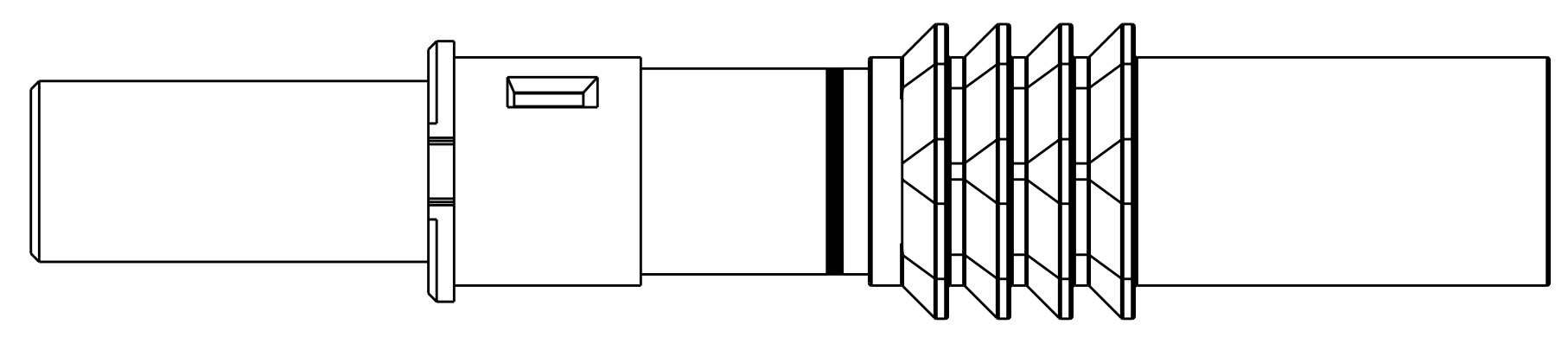
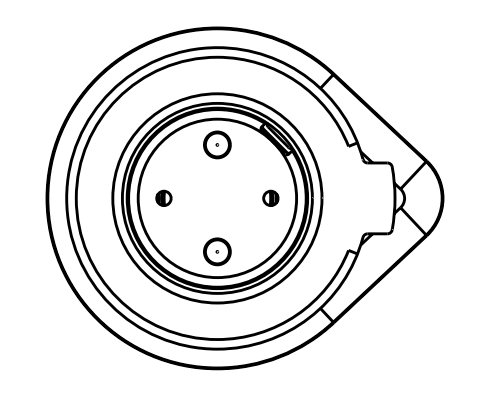


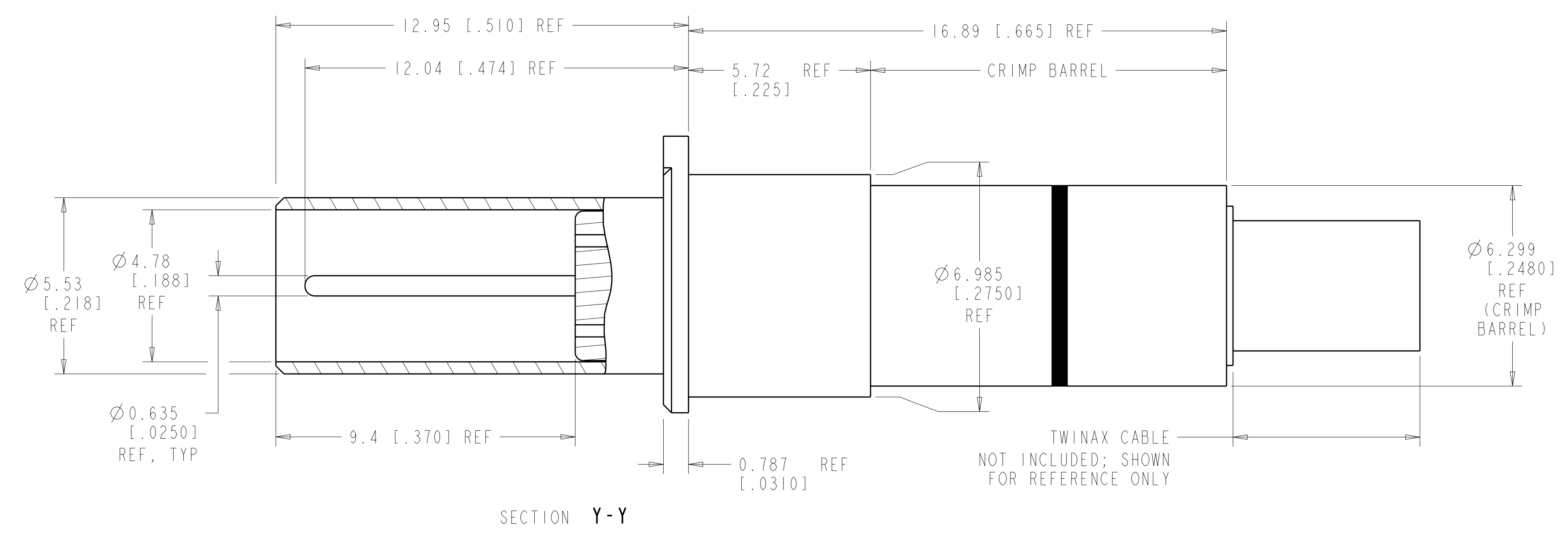
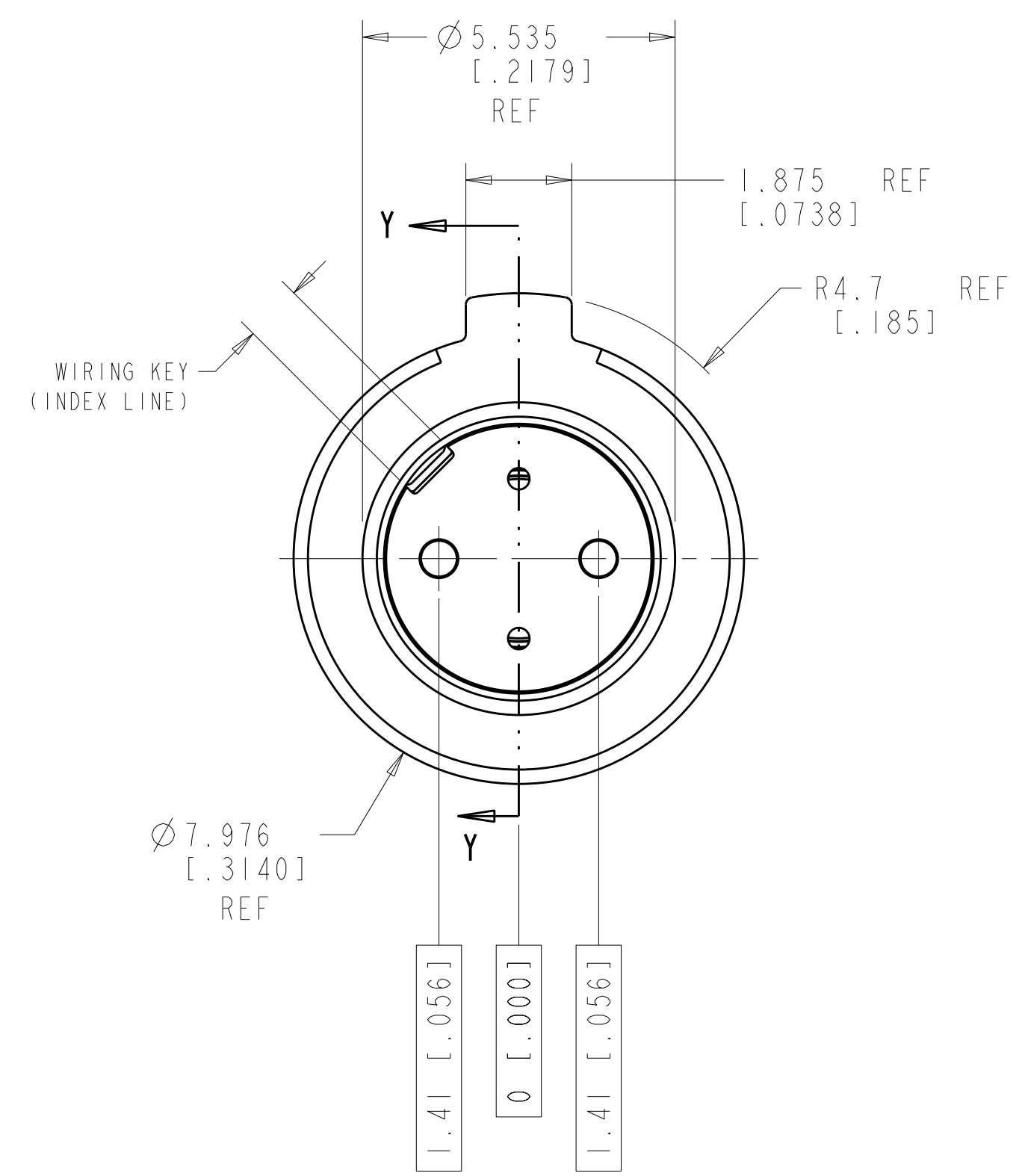
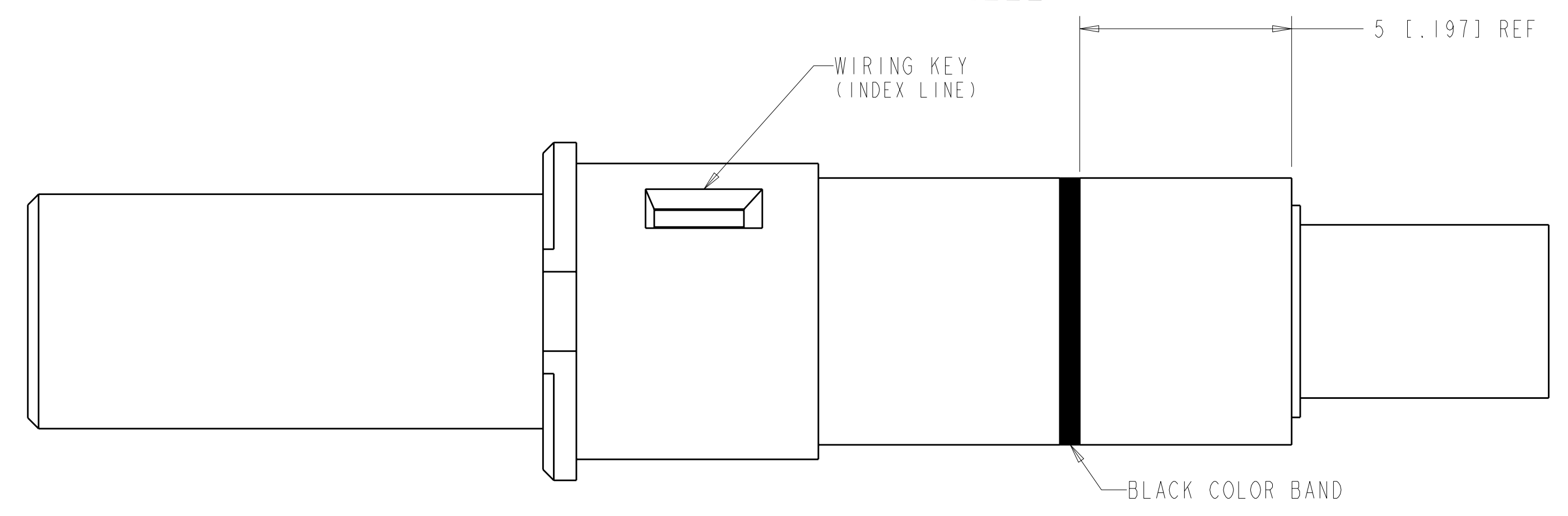
REV	DATE	BY	CHK	APPV	DESCRIPTION
2	10MAY05	BH			REVISE
3	19JUN06	JRE			ADD KITS -3 AND -4 FOR CAN APP.
4	17MAY2007	DF			120 ohms was 117 ohms
5	14AUG2007	DF			ADDED VALIDATION NOTE



**CONTACT CAVITY NUMBERING
 STANDARD CAVITY NUMBER ASSIGNMENT**



1811865-2/-4 TWINAX (FIG.2)
 PIN ASSY WITH WIRE SEAL
 SCALE 5:1



**THIS PRODUCT
 HAS NOT
 COMPLETED
 VALIDATION
 TESTING**

- COMPONENTS ARE PACKAGED IN KIT FORM. CABLE MUST BE PURCHASED SEPARATELY.
- USE INSERTION-EXTRACTION TOOL 1738196-1.

P/N	DESCRIPTION	PART NO.
P/N: 1726A1424 ; (120 ohms, 26 AWG)	AS SHOWN (FIG.2); WITH WIRE SEAL	1811865-4
P/N: 1726A1424 ; (120 ohms, 26 AWG)	AS SHOWN; WITHOUT WIRE SEAL	1811865-3
P/N: 0024T1426 ; (100 ohms, 24 AWG)	AS SHOWN (FIG.2); WITH WIRE SEAL	1811865-2
P/N: 0024T1426 ; (100 ohms, 24 AWG)	AS SHOWN; WITHOUT WIRE SEAL	1811865-1
RECOMMENDED RAYCHEM CABLE	DESCRIPTION	PART NO.

DIMENSIONS: mm [INCH]		TOLERANCES UNLESS OTHERWISE SPECIFIED:		DWN: 14mar2005 CHK: Brent D. Tohn	
9 PLC	±	0	±	NAME	tyco
1 PLC	±0.2	1.0083	±	PRODUCT SPEC	tyco
5 PLC	±0.13	1.0051	±	APPLICATION SPEC	tyco
4 PLC	±0.051	1.0021	±	SIZE	A
ANGLES	±		±	CAGE CODE	00779
MATERIAL			±	DRAWING NO	1811865
FINISH			±	RESTRICTED TO	
CUSTOMER DRAWING				WEIGHT	
				SCALE	5:1
				SHEET	1
				OF	1
				REV	5