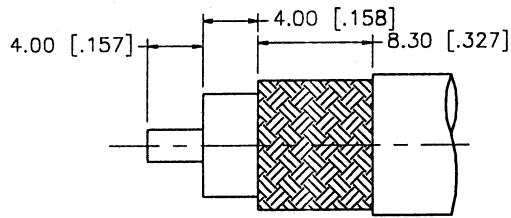
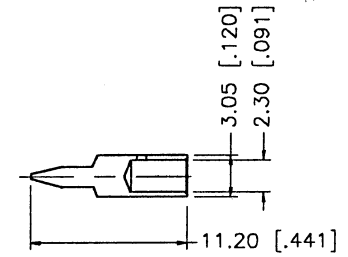
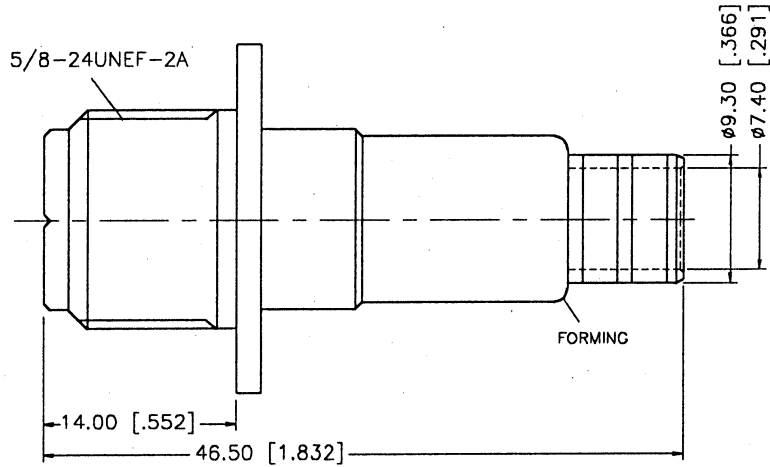
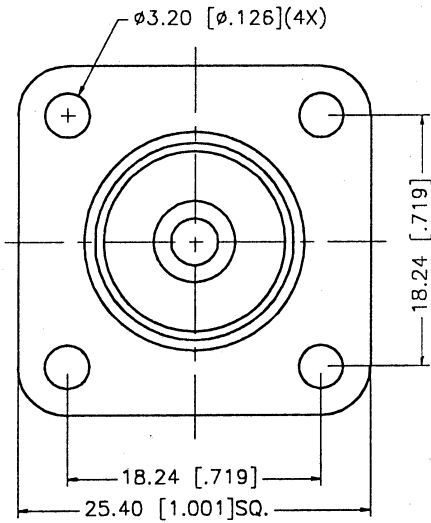


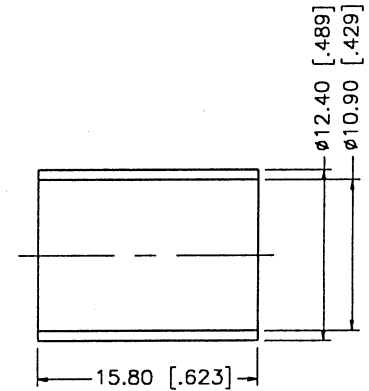
REV.	DATE	DESCRIPTION
NC	01/04/00	INITIAL RELEASE



RECOMMENDED
CABLE STRIPPING DIM'S

NOTES:

1. CRIMP FERRULE
HEX CRIMP SIZE .429"
2. CENTER CONTACT
HEX CRIMP SIZE .100"



DESCRIPTION	MATERIAL	FINISH	UNLESS OTHERWISE SPECIFIED DIMENSIONS ARE IN MILLIMETERS	APPROVALS	DATE	<h1 style="color: blue;">Amphenol Connex</h1>																		
1	BODY	BRASS	NICKEL	DRAWN	G.R.S.					01/04/00	<h2 style="color: blue;">UHF PANEL CRIMP JACK (FOR RG-8/U CABLE)</h2>													
2	INSULATOR	TEFLON	NATURAL	CHECKED			<table border="1" style="width: 100%; border-collapse: collapse;"> <tr> <td>SIZE</td> <td>FSCM NO.</td> <td>DWG. NO.</td> <td>REV.</td> </tr> <tr> <td style="text-align: center;">A</td> <td style="text-align: center;">99001</td> <td style="text-align: center;">182129.DWG</td> <td style="text-align: center;">NC</td> </tr> <tr> <td>SCALE</td> <td>NA</td> <td>PART NO.</td> <td>182129</td> <td>SHEET</td> <td>1 OF 1</td> </tr> </table>								SIZE	FSCM NO.	DWG. NO.	REV.	A	99001	182129.DWG	NC	SCALE	NA
SIZE	FSCM NO.	DWG. NO.	REV.																					
A	99001	182129.DWG	NC																					
SCALE	NA	PART NO.	182129	SHEET	1 OF 1																			
3	CONTACT PIN	BRASS	GOLD	ISSUED			<table border="1" style="width: 100%; border-collapse: collapse;"> <tr> <td>UNLESS OTHERWISE SPECIFIED TOLERANCES FOR MILLIMETERS ARE:</td> </tr> <tr> <td>0.5-6 = ± 0.2</td> </tr> <tr> <td>6-30 = ± 0.4</td> </tr> <tr> <td>30-120 = ± 0.6</td> </tr> <tr> <td>120-315 = ± 1</td> </tr> <tr> <td>315-1000 = ± 1.6</td> </tr> <tr> <td>1000-2000 = ± 2.4</td> </tr> <tr> <td>DO NOT SCALE DRAWING</td> </tr> </table>				UNLESS OTHERWISE SPECIFIED TOLERANCES FOR MILLIMETERS ARE:	0.5-6 = ± 0.2	6-30 = ± 0.4	30-120 = ± 0.6	120-315 = ± 1	315-1000 = ± 1.6	1000-2000 = ± 2.4	DO NOT SCALE DRAWING						
UNLESS OTHERWISE SPECIFIED TOLERANCES FOR MILLIMETERS ARE:																								
0.5-6 = ± 0.2																								
6-30 = ± 0.4																								
30-120 = ± 0.6																								
120-315 = ± 1																								
315-1000 = ± 1.6																								
1000-2000 = ± 2.4																								
DO NOT SCALE DRAWING																								
4	BARREL	BRASS	NICKEL				<table border="1" style="width: 100%; border-collapse: collapse;"> <tr> <td>UNLESS OTHERWISE SPECIFIED DIMENSIONS IN [] ARE IN INCHES FOR CUSTOMER REFERENCE ONLY</td> </tr> <tr> <td>0.5-6 = ± 0.2</td> </tr> <tr> <td>6-30 = ± 0.4</td> </tr> <tr> <td>30-120 = ± 0.6</td> </tr> <tr> <td>120-315 = ± 1</td> </tr> <tr> <td>315-1000 = ± 1.6</td> </tr> <tr> <td>1000-2000 = ± 2.4</td> </tr> <tr> <td>DO NOT SCALE DRAWING</td> </tr> </table>				UNLESS OTHERWISE SPECIFIED DIMENSIONS IN [] ARE IN INCHES FOR CUSTOMER REFERENCE ONLY	0.5-6 = ± 0.2	6-30 = ± 0.4	30-120 = ± 0.6	120-315 = ± 1	315-1000 = ± 1.6	1000-2000 = ± 2.4	DO NOT SCALE DRAWING						
UNLESS OTHERWISE SPECIFIED DIMENSIONS IN [] ARE IN INCHES FOR CUSTOMER REFERENCE ONLY																								
0.5-6 = ± 0.2																								
6-30 = ± 0.4																								
30-120 = ± 0.6																								
120-315 = ± 1																								
315-1000 = ± 1.6																								
1000-2000 = ± 2.4																								
DO NOT SCALE DRAWING																								
5	CONTACT PIN	BRASS	GOLD				<table border="1" style="width: 100%; border-collapse: collapse;"> <tr> <td>UNLESS OTHERWISE SPECIFIED DIMENSIONS IN [] ARE IN INCHES FOR CUSTOMER REFERENCE ONLY</td> </tr> <tr> <td>0.5-6 = ± 0.2</td> </tr> <tr> <td>6-30 = ± 0.4</td> </tr> <tr> <td>30-120 = ± 0.6</td> </tr> <tr> <td>120-315 = ± 1</td> </tr> <tr> <td>315-1000 = ± 1.6</td> </tr> <tr> <td>1000-2000 = ± 2.4</td> </tr> <tr> <td>DO NOT SCALE DRAWING</td> </tr> </table>				UNLESS OTHERWISE SPECIFIED DIMENSIONS IN [] ARE IN INCHES FOR CUSTOMER REFERENCE ONLY	0.5-6 = ± 0.2	6-30 = ± 0.4	30-120 = ± 0.6	120-315 = ± 1	315-1000 = ± 1.6	1000-2000 = ± 2.4	DO NOT SCALE DRAWING						
UNLESS OTHERWISE SPECIFIED DIMENSIONS IN [] ARE IN INCHES FOR CUSTOMER REFERENCE ONLY																								
0.5-6 = ± 0.2																								
6-30 = ± 0.4																								
30-120 = ± 0.6																								
120-315 = ± 1																								
315-1000 = ± 1.6																								
1000-2000 = ± 2.4																								
DO NOT SCALE DRAWING																								
6	FERRULE	COPPER	NICKEL				<table border="1" style="width: 100%; border-collapse: collapse;"> <tr> <td>UNLESS OTHERWISE SPECIFIED DIMENSIONS IN [] ARE IN INCHES FOR CUSTOMER REFERENCE ONLY</td> </tr> <tr> <td>0.5-6 = ± 0.2</td> </tr> <tr> <td>6-30 = ± 0.4</td> </tr> <tr> <td>30-120 = ± 0.6</td> </tr> <tr> <td>120-315 = ± 1</td> </tr> <tr> <td>315-1000 = ± 1.6</td> </tr> <tr> <td>1000-2000 = ± 2.4</td> </tr> <tr> <td>DO NOT SCALE DRAWING</td> </tr> </table>				UNLESS OTHERWISE SPECIFIED DIMENSIONS IN [] ARE IN INCHES FOR CUSTOMER REFERENCE ONLY	0.5-6 = ± 0.2	6-30 = ± 0.4	30-120 = ± 0.6	120-315 = ± 1	315-1000 = ± 1.6	1000-2000 = ± 2.4	DO NOT SCALE DRAWING						
UNLESS OTHERWISE SPECIFIED DIMENSIONS IN [] ARE IN INCHES FOR CUSTOMER REFERENCE ONLY																								
0.5-6 = ± 0.2																								
6-30 = ± 0.4																								
30-120 = ± 0.6																								
120-315 = ± 1																								
315-1000 = ± 1.6																								
1000-2000 = ± 2.4																								
DO NOT SCALE DRAWING																								
7							<table border="1" style="width: 100%; border-collapse: collapse;"> <tr> <td>UNLESS OTHERWISE SPECIFIED DIMENSIONS IN [] ARE IN INCHES FOR CUSTOMER REFERENCE ONLY</td> </tr> <tr> <td>0.5-6 = ± 0.2</td> </tr> <tr> <td>6-30 = ± 0.4</td> </tr> <tr> <td>30-120 = ± 0.6</td> </tr> <tr> <td>120-315 = ± 1</td> </tr> <tr> <td>315-1000 = ± 1.6</td> </tr> <tr> <td>1000-2000 = ± 2.4</td> </tr> <tr> <td>DO NOT SCALE DRAWING</td> </tr> </table>				UNLESS OTHERWISE SPECIFIED DIMENSIONS IN [] ARE IN INCHES FOR CUSTOMER REFERENCE ONLY	0.5-6 = ± 0.2	6-30 = ± 0.4	30-120 = ± 0.6	120-315 = ± 1	315-1000 = ± 1.6	1000-2000 = ± 2.4	DO NOT SCALE DRAWING						
UNLESS OTHERWISE SPECIFIED DIMENSIONS IN [] ARE IN INCHES FOR CUSTOMER REFERENCE ONLY																								
0.5-6 = ± 0.2																								
6-30 = ± 0.4																								
30-120 = ± 0.6																								
120-315 = ± 1																								
315-1000 = ± 1.6																								
1000-2000 = ± 2.4																								
DO NOT SCALE DRAWING																								
8							<table border="1" style="width: 100%; border-collapse: collapse;"> <tr> <td>UNLESS OTHERWISE SPECIFIED DIMENSIONS IN [] ARE IN INCHES FOR CUSTOMER REFERENCE ONLY</td> </tr> <tr> <td>0.5-6 = ± 0.2</td> </tr> <tr> <td>6-30 = ± 0.4</td> </tr> <tr> <td>30-120 = ± 0.6</td> </tr> <tr> <td>120-315 = ± 1</td> </tr> <tr> <td>315-1000 = ± 1.6</td> </tr> <tr> <td>1000-2000 = ± 2.4</td> </tr> <tr> <td>DO NOT SCALE DRAWING</td> </tr> </table>				UNLESS OTHERWISE SPECIFIED DIMENSIONS IN [] ARE IN INCHES FOR CUSTOMER REFERENCE ONLY	0.5-6 = ± 0.2	6-30 = ± 0.4	30-120 = ± 0.6	120-315 = ± 1	315-1000 = ± 1.6	1000-2000 = ± 2.4	DO NOT SCALE DRAWING						
UNLESS OTHERWISE SPECIFIED DIMENSIONS IN [] ARE IN INCHES FOR CUSTOMER REFERENCE ONLY																								
0.5-6 = ± 0.2																								
6-30 = ± 0.4																								
30-120 = ± 0.6																								
120-315 = ± 1																								
315-1000 = ± 1.6																								
1000-2000 = ± 2.4																								
DO NOT SCALE DRAWING																								