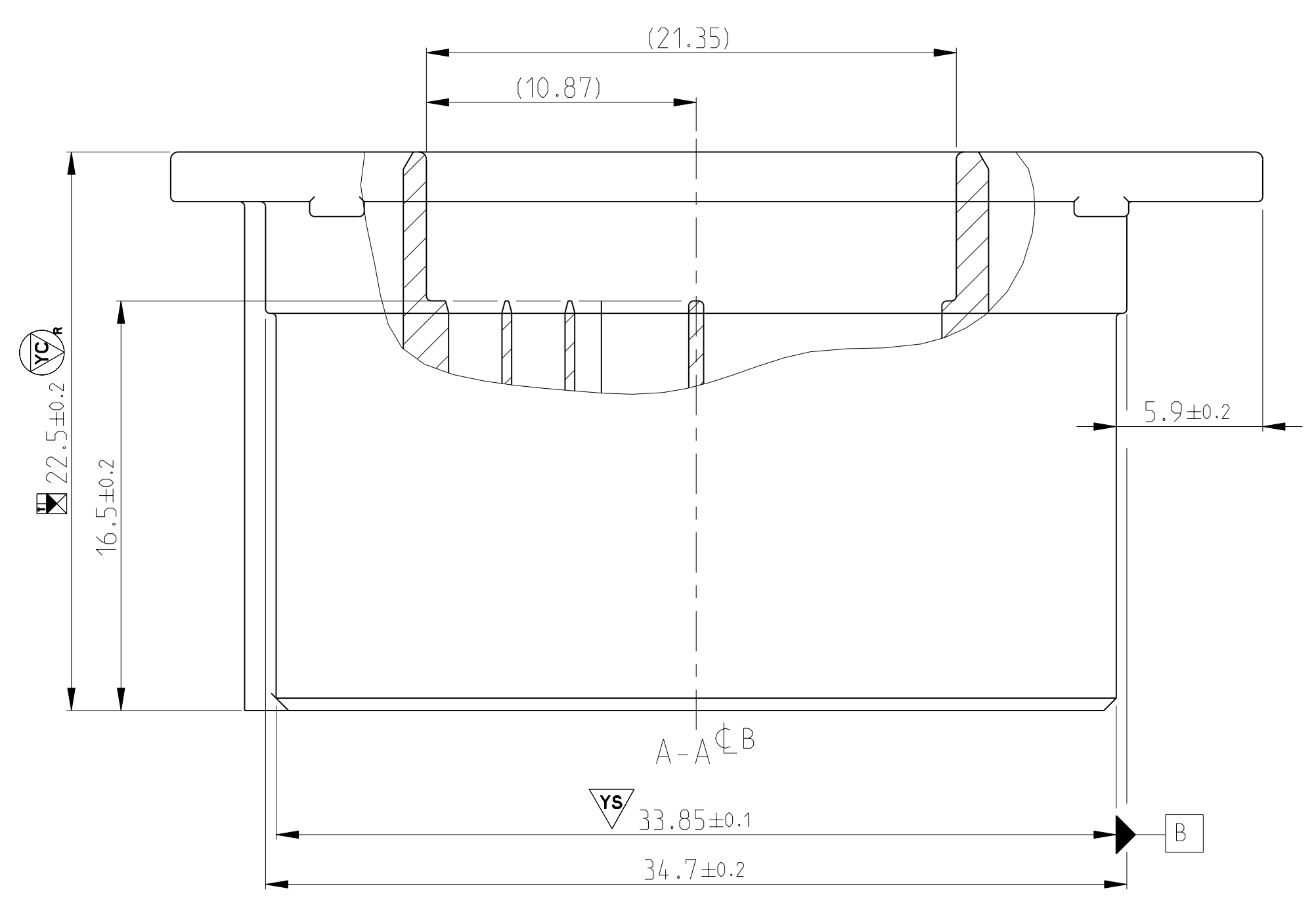
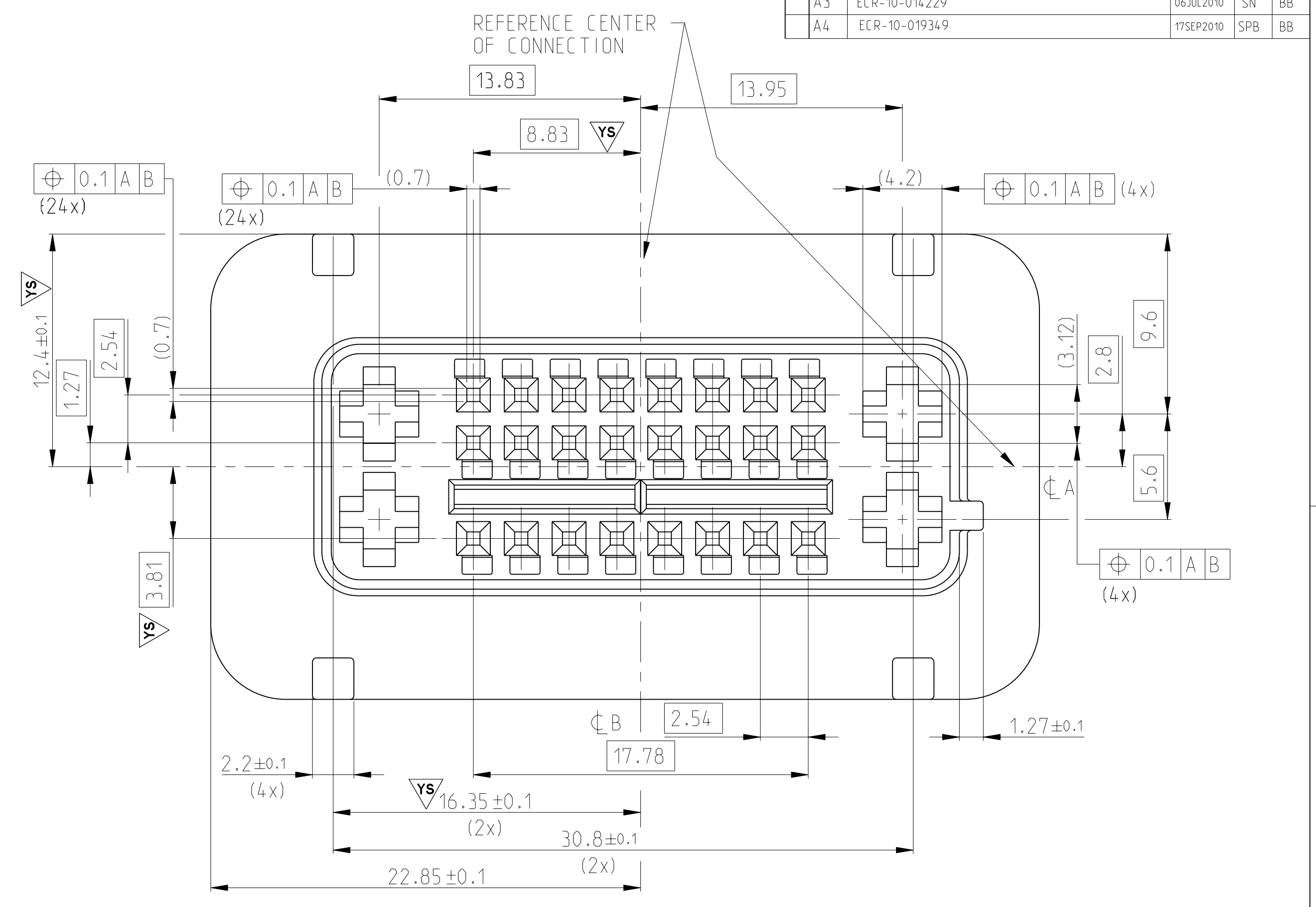
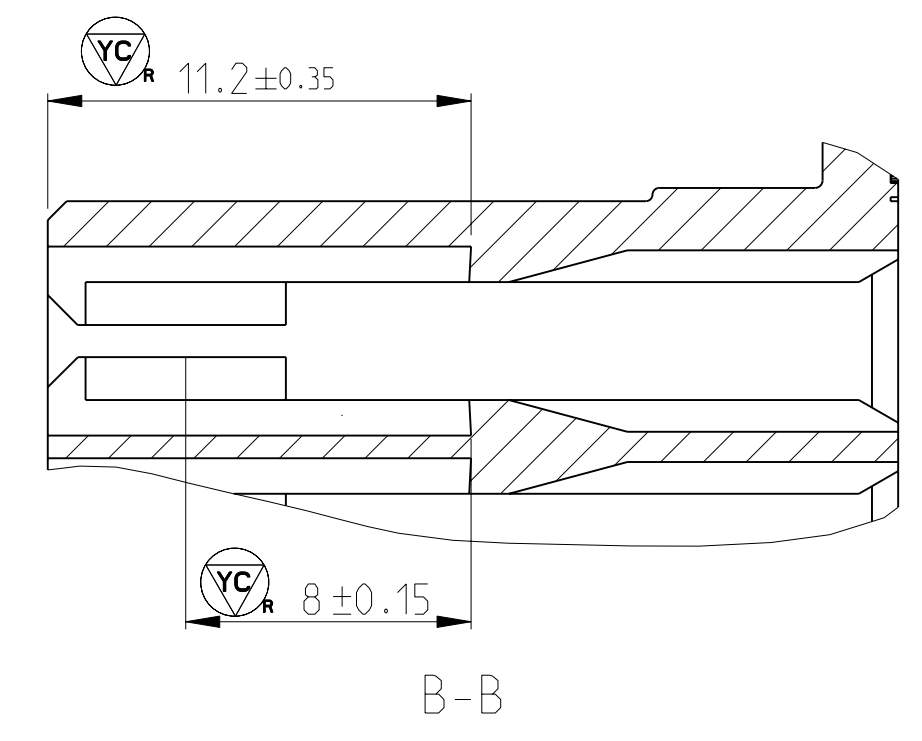
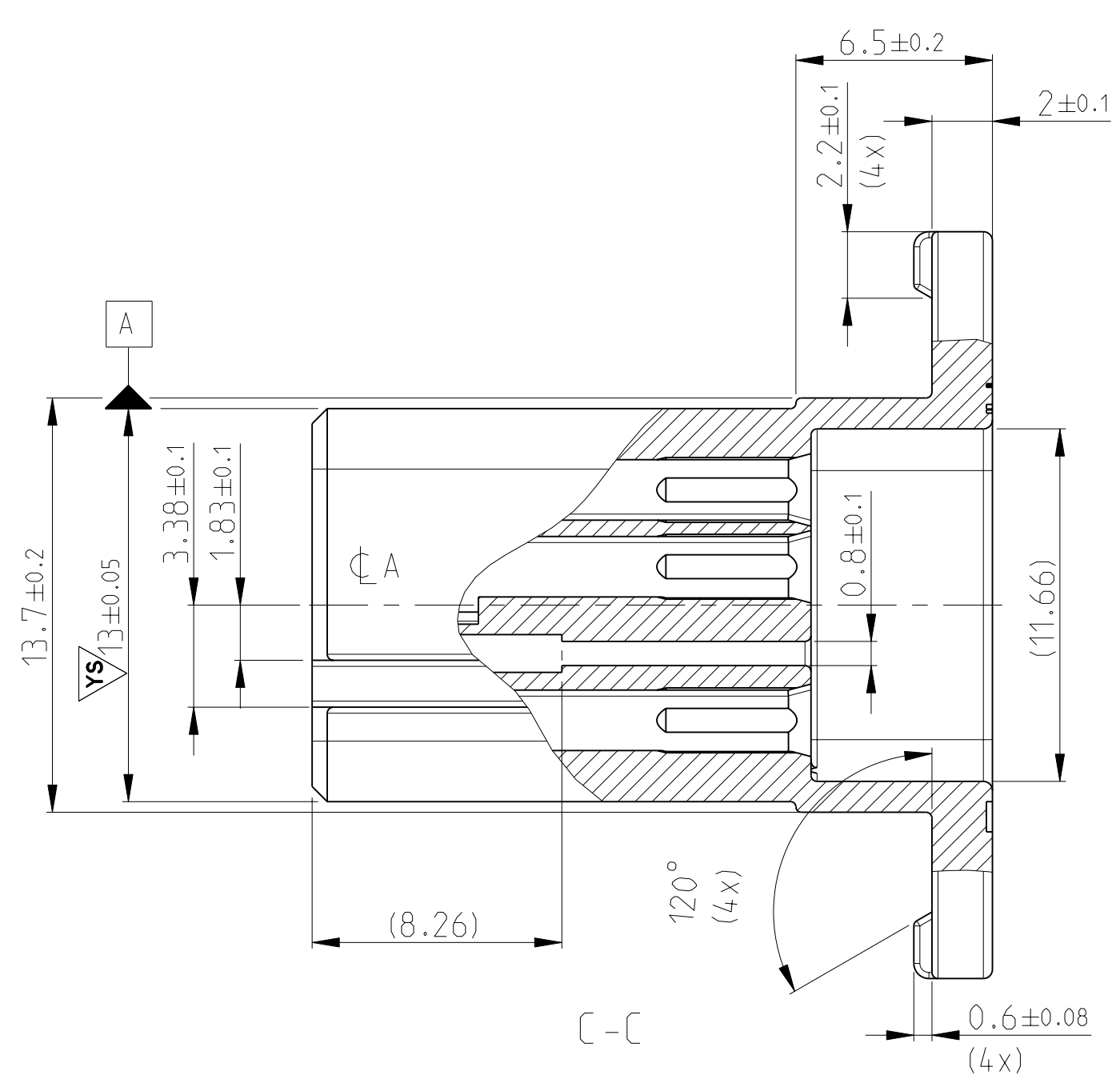
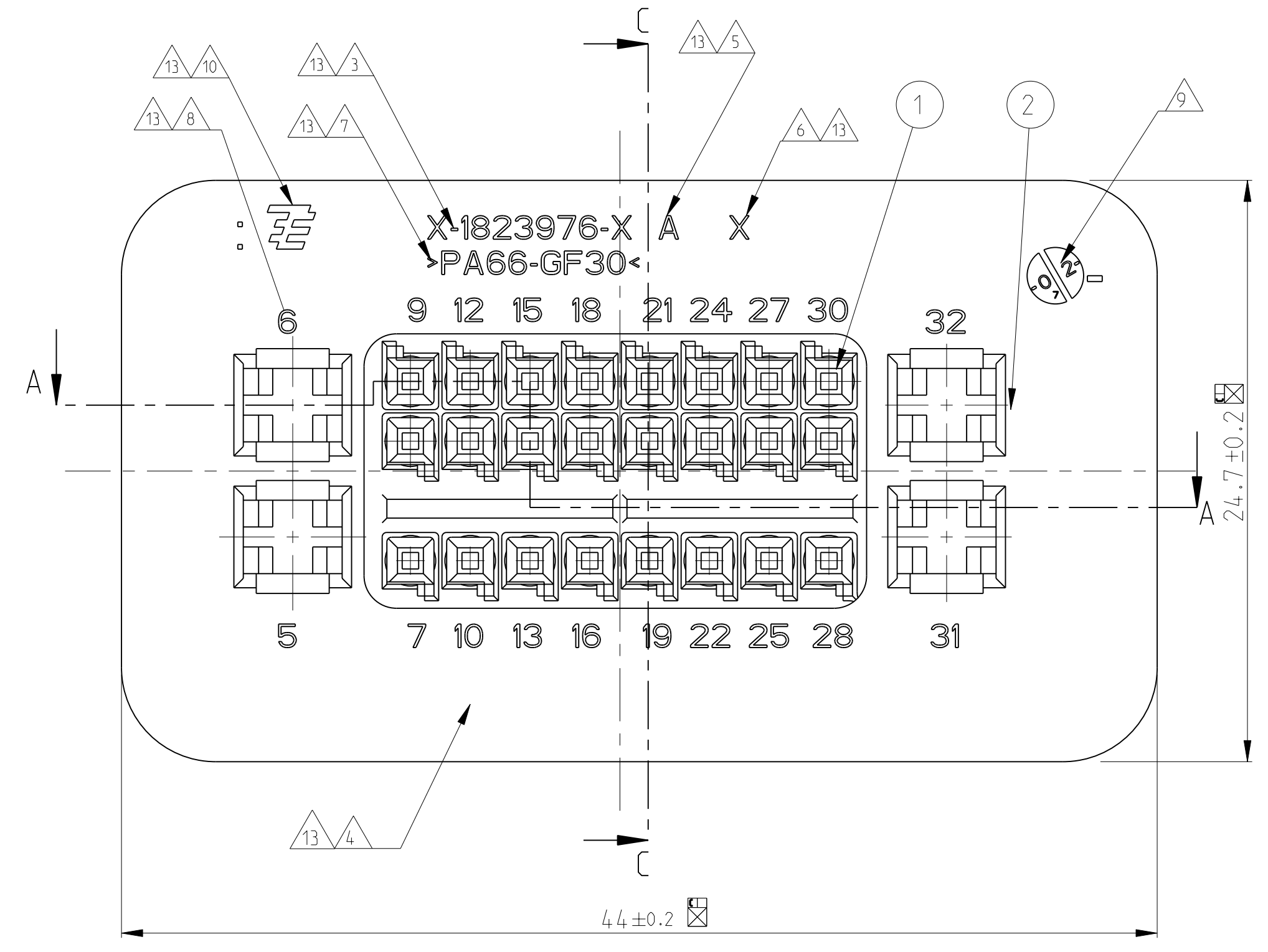
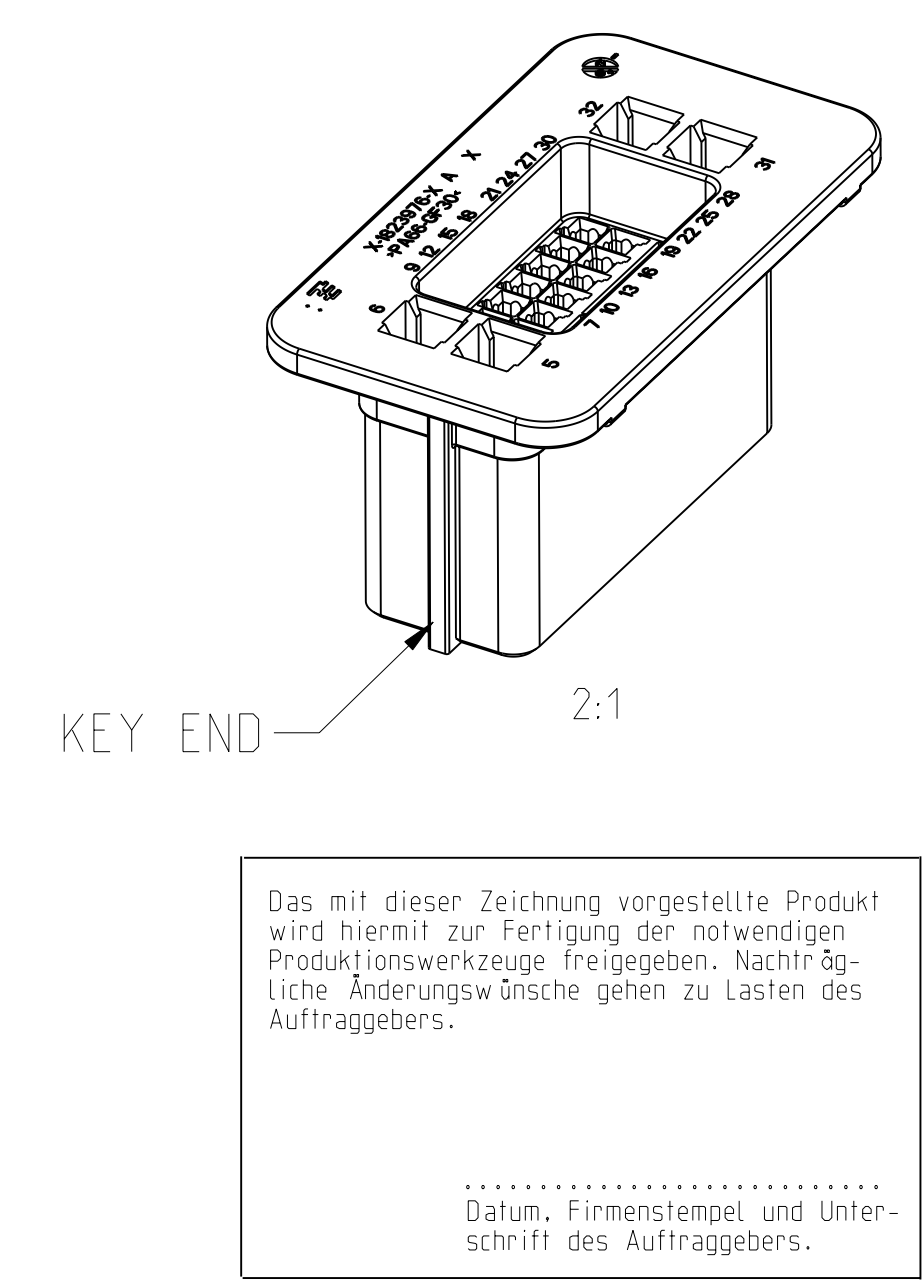


LOC	DIST	REV	DATE	BY	APPV
A1	-	1	01DEC2009	SPB	BB
A2	-	2	06MAY2010	SN	BB
A3	-	3	06JUL2010	SN	BB
A4	-	4	17SEP2010	SPB	BB



SYMBOLS DEFINITION

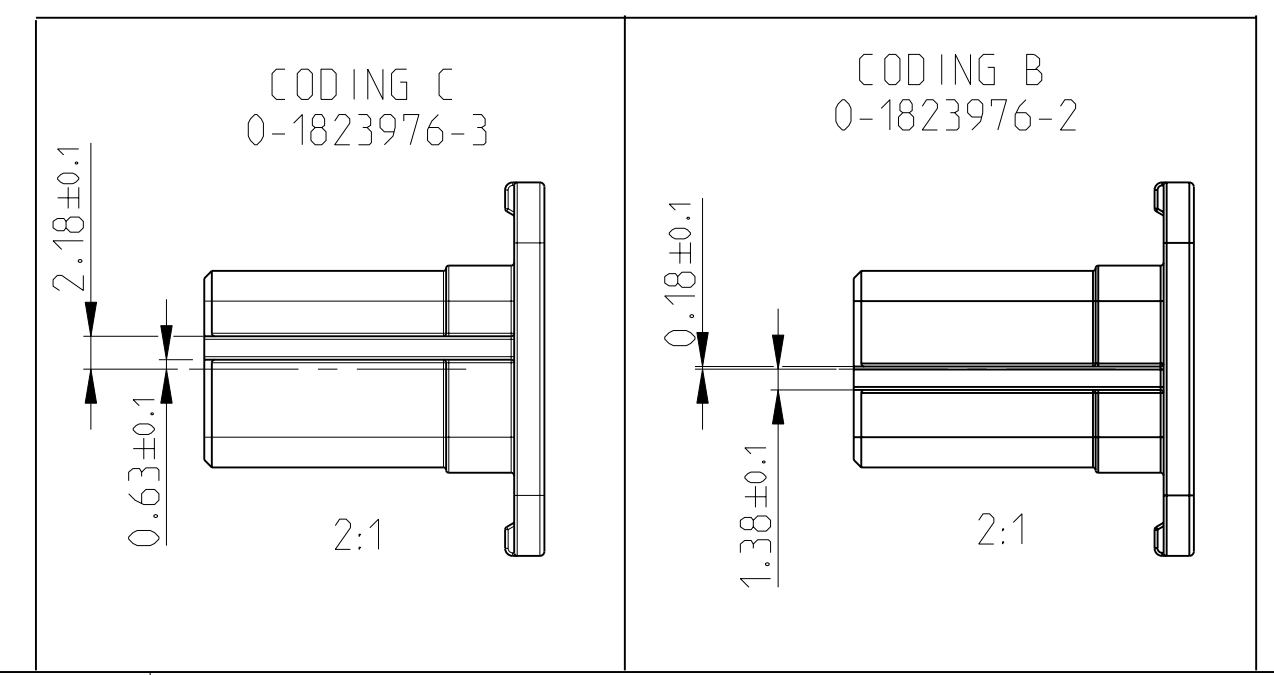
DESIGNATION	SYMBOL
DIMENSION LABEL	(X)
DIMENSION FOR INFORMATION ONLY	>X<
SPECIAL CHARACTERISTIC (ACCORDING TO FMEA-LO11 N0805-208-001)	YC/R, YS



- NOTES
- 1 FOR CONTACTS SEE THE DRAWINGS:
MICRO QUADLOK SYSTEM: 929454
JUNIOR POWER TIMER: 1355047
 - 2 ALL RADII R0.5 EXCEPT AS NOTED
 - 4 TE PART NO. (SEE TABLE)
 - 5 ALERT PART NO. (SEE TABLE)
 - 6 REVISION (SEE TABLE)
 - 7 TOOLING CAVITY MARKING (NOT USED FOR PILOT TOOLING)
 - 8 MATERIAL IDENTIFICATION (SEE TABLE)
 - 1 CAVITY IDENTIFICATION
 - 9 PRODUCTION DATE WITH DATE INSERT, Ø3, SUNK 0.2mm
 - 10 TE-LOGO PN 1-15994-1 ACCORDING TO THE DRAWING 15994, SUNK 0.2mm
 - 11 VOLUME 6133mm³
 - 12 REGRIND MAX. 15%
 - 13 CHARACTERS ACC. TO DIN 1451, SUNK 0.2mm
 - 14 MATERIAL: PA66-GF30, COLOR: BLACK

Das mit dieser Zeichnung vorgestellte Produkt wird hiermit zur Fertigung der notwendigen Produktionswerkzeuge freigegeben. Nachträgliche Änderungswünsche gehen zu Lasten des Auftraggebers.

Datum, Firmenstempel und Unterschrift des Auftraggebers.



CODING A
Kodierung A
-01 AS SHOWN
wie gezeigt

ITEM NO.	TE	DESCRIPTION	ITEM NO.	TE	DESCRIPTION
0-1823976-3	C A 1	SOCKET HOUSING	1823940-2	-	-
0-1823976-2	B A 1	SOCKET HOUSING	1823940-3	-	-
0-1823976-1	A A 1	SOCKET HOUSING	1823940-1	-	-

Passend zu: Stiftnut
SUITABLE FOR: PIN HEADER

TE PART NUMBER	SURFACE MATERIAL	BASE MATERIAL	CONTACT TYPE	CAVITY POSITION
	TIN	CuSn4	JPT	2
	TIN	NOT DEFINED	MQS	1

DATE: 21MAY2009	BY: SHASHIDHARA N	APPV: BOB BAKER
PRODUCT SPEC: -	APPLICATION SPEC: -	WEIGHT: -
SIZE: A1	CAGE CODE: 00779	DRAWING NO: C=1823976
CUSTOMER DRAWING		

Tyco Electronics AMP GmbH
D - 64625 Bensheim

JPT/MQS SOCKET HOUSING 4+24POS
JPT/MQS Buchsengehäuse 4+24pol.

SCALE: 5:1 SHEET: 1 OF 1 REV: A4