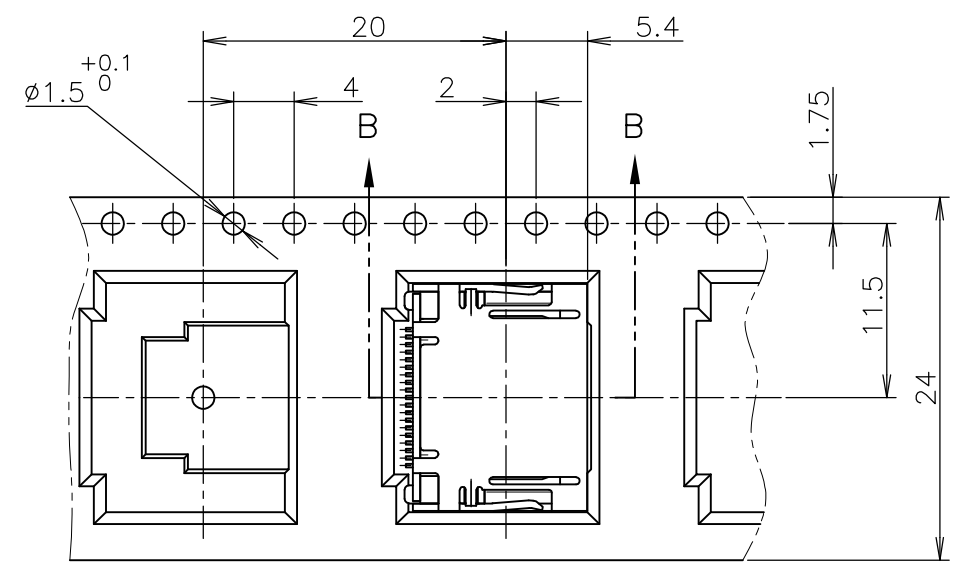
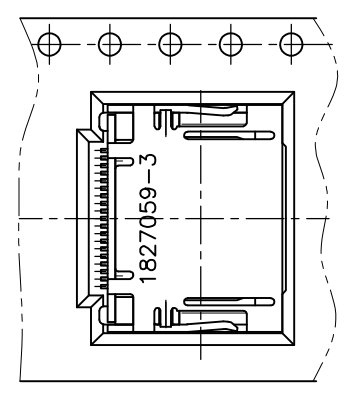


THIS DRAWING IS UNPUBLISHED. RELEASED FOR PUBLICATION OCT., 2004.
 © COPYRIGHT 2004 BY TYCO ELECTRONICS CORPORATION. ALL RIGHTS RESERVED.

LOC	DIST	REVISIONS					
J	/	P	LTR	DESCRIPTION	DATE	DWN	APVD
		E		REVISED PER ECR-10-007306	13APR10	HMR	TM



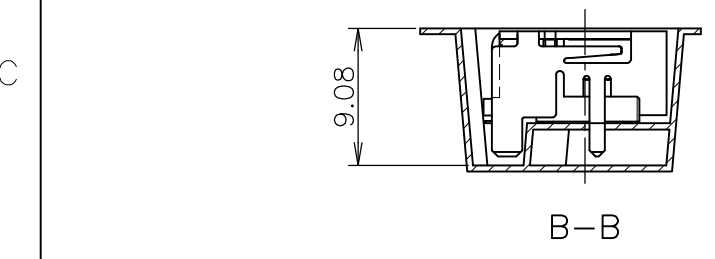
DETAIL A



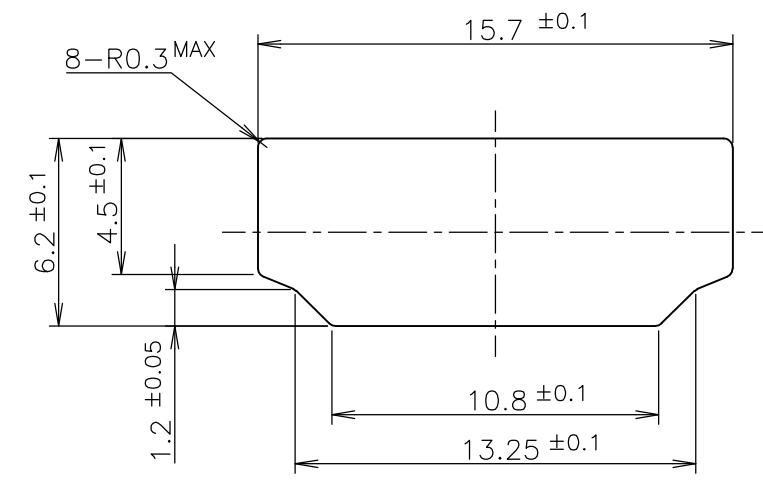
1827059-3 ONLY

- 1 CONTACT COPLANALITY IS 0.1 MAX.
- △2 FINISH
CONTACT: E μm MIN. Au PL. ON CONTACT AREA (E: SEE TABLE)
Sn PL. ON SOLDERING AREA
Ni UNDER PL. ALL OVER
SHELL: Sn PL. (MATTE) ALL OVER
Ni UNDER PL. ALL OVER
- △3 LABEL DESCRIPTION

TYCO P/N: 1827059-*
 QTY: 300 pcs
 D/C:
 MADE IN CHINA

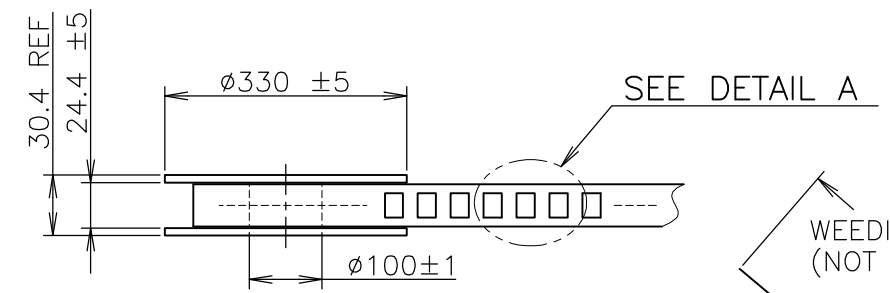


B-B



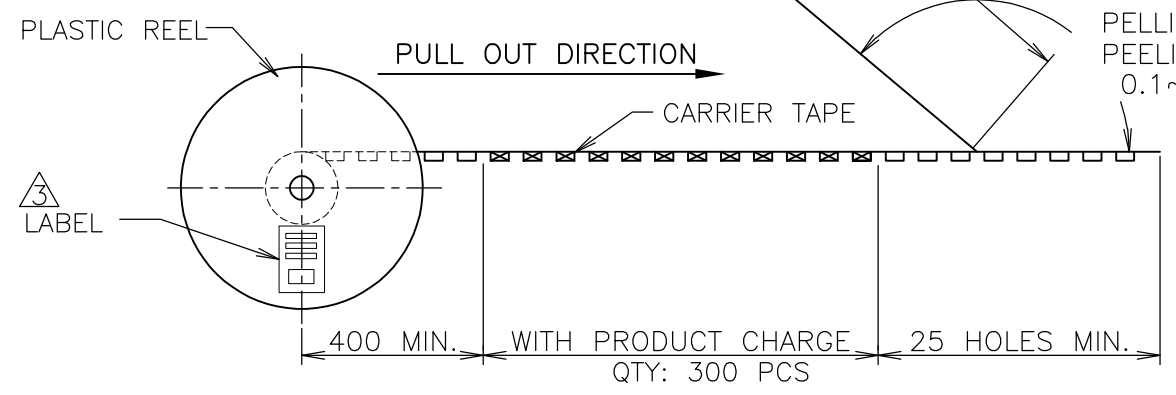
PANEL CUT OUT DIMENSION (REFERENCE)

- 1 コンタクトコプラナリティーは 0.1 以下。
- △2 仕上
コンタクト: コンタクトエリアに E μm 以上の 金めっき (E: 表参照)
半田付けエリアに すずめっき
ニッケル下地めっきを施す
シェル: すずめっき (MATTE)
ニッケル下地めっきを施す
- △3 ラベル表記: 英文注記参照



WEEDING THE COVER TAPE : 300 MIN
 (NOT INCLUDE EMPTINESS POCKET)

PELLING ANGLE: 165°~180°
 PEELING STRENGTH:
 0.1~0.7N (300mm/min.)



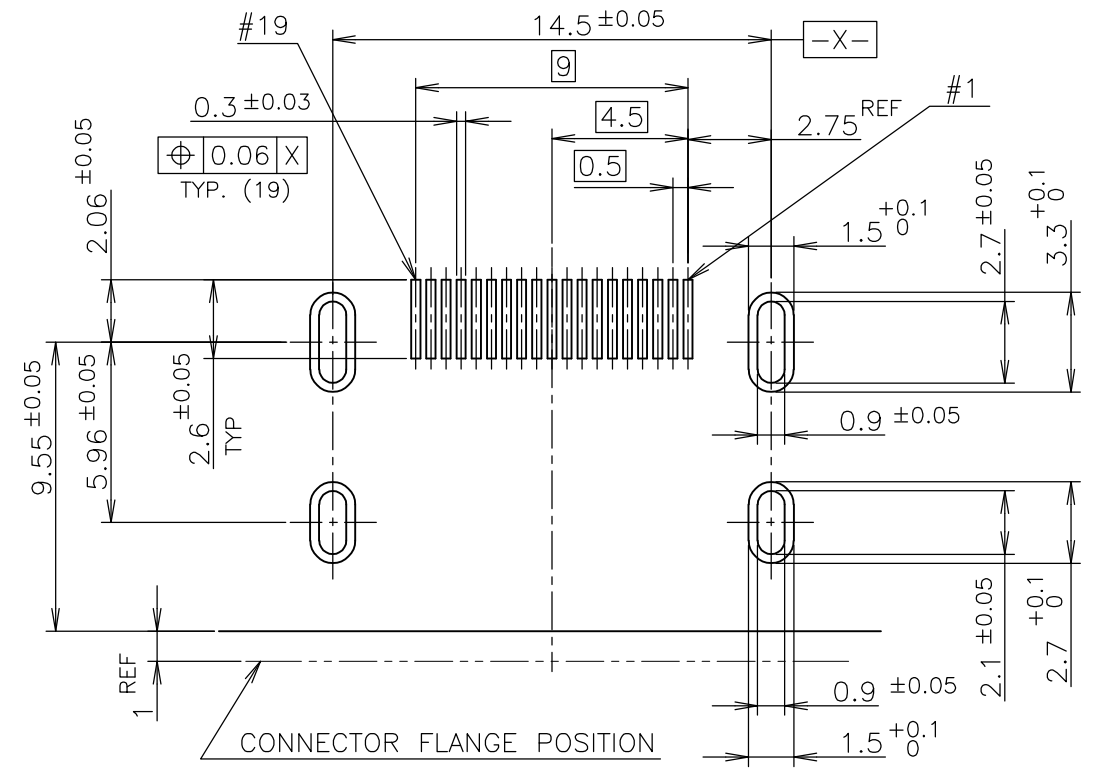
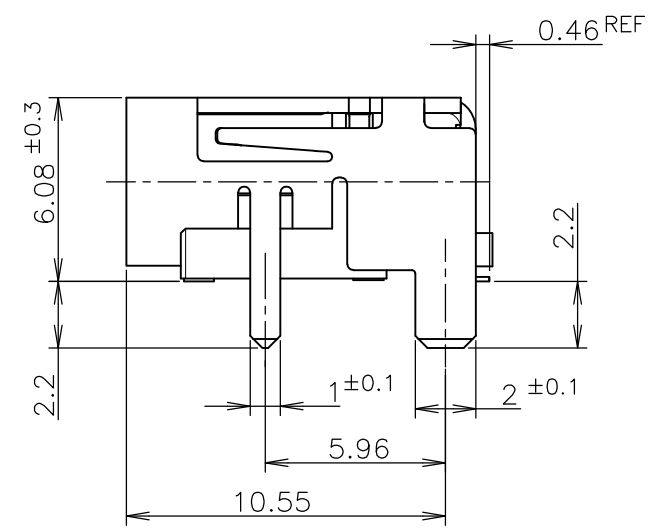
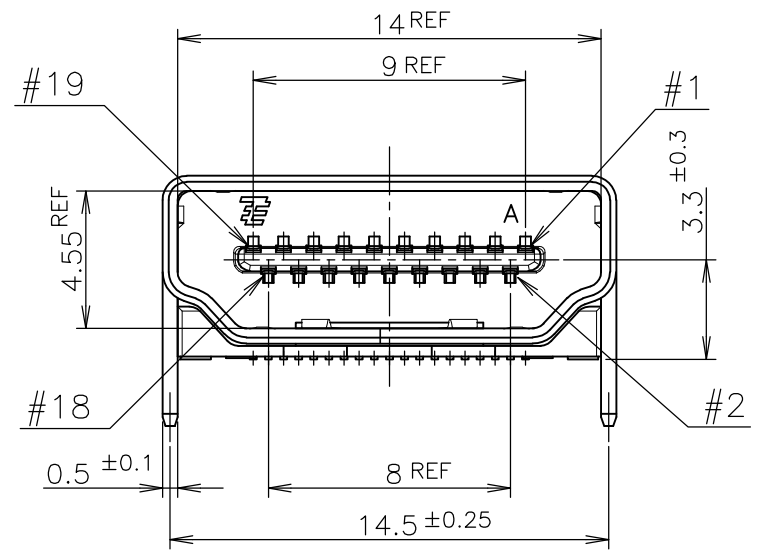
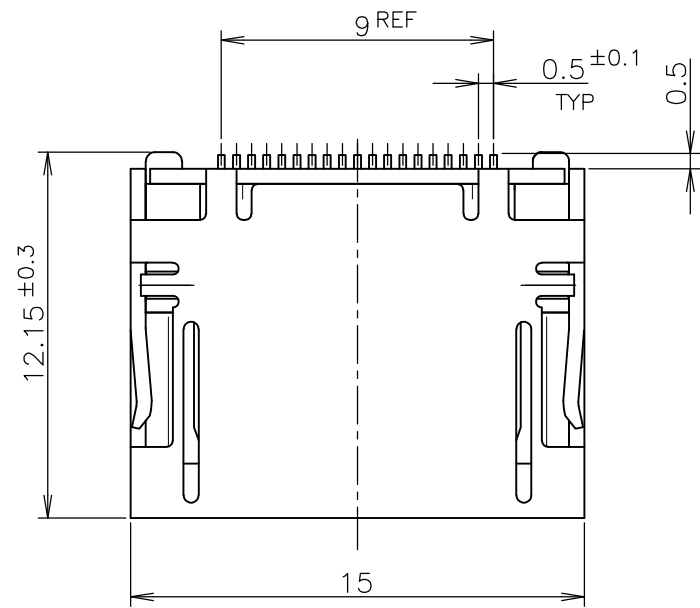
300	0.76	1.8	1.8	(SEE SHEET 3)	WITH BOSS	1827059-5
300	0.3	-	-	(SEE SHEET 3)	WITH BOSS	1827059-4
300	0.76	2.2	2.2	(SEE SHEET 3)	WITH BOSS	1827059-3
300	0.3	-	-	(SEE SHEET 2)	WITHOUT BOSS	1827059-2
300	0.76	-	-	(SEE SHEET 2)	WITHOUT BOSS	1827059-1
QTY	E	D	C	CONNECTOR	BOSS	PART NUMBER
	△2 Au PL.	DIMENSION		PART LIST		

THIS DRAWING IS A CONTROLLED DOCUMENT.

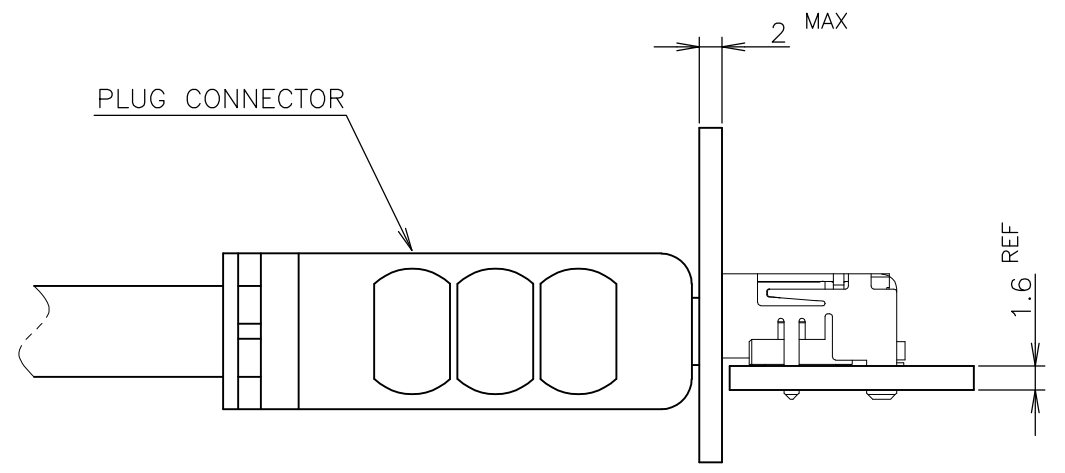
DWN	Y.HIRATA	22OCT2004	 Tyco Electronics AMP K.K. Kawasaki, Japan
CHK	T.KIMURA	22OCT2004	
APVD	K.IKEGAMI	22OCT2004	
DIMENSIONS: 単位: 概 mm TOLERANCES UNLESS OTHERWISE SPECIFIED: 一般公差 0-PLC ± 1-PLC ± 2-PLC ± ±0.3 3-PLC ± 4-PLC ± ANGLES ± FINISH 仕上			NAME 名称 HDMI 19 POS RECEPTACLE ASSY SMT TYPE S
MATERIAL 材料 PET COVER TAPE PS CARRIER TAPE PLASTIC REEL MATERIAL DESCRIPTION			PRODUCT SPEC 製品規格 108-78180 APPLICATION SPEC 取付適用規格 WEIGHT SIZE A3 CAGE CODE 00779 DRAWING NO 番号 C-1827059 RESTRICTED TO
CUSTOMER DRAWING			SCALE 尺度 4:1 SHEET 1 OF 3 REV E

THIS DRAWING IS UNPUBLISHED. RELEASED FOR PUBLICATION OCT, 2004.
 © COPYRIGHT 2004 BY TYCO ELECTRONICS CORPORATION. ALL RIGHTS RESERVED.

LOC	DIST	REVISIONS			DATE	DWN	APVD
		P	LTR	DESCRIPTION			
J	/			SEE SHEET 1	-	-	-



P.C.B LAYOUT
 SHOWN AS CONNECTOR MOUNTING SIDE
 TOLERANCE: NON-CUMULATIVE
 (REFERENCE)



MATING CONDITION (REFERENCE)
 (SCALE 2:1)

CONNECTOR WITHOUT BOSS TYPE

MATERIAL	DESCRIPTION	ITEM
BRASS	CONTACT	3
PHOSPHOR BRONZE	SHELL	2
THERMOPLASTIC UL94V-0, BLACK COLOR	HOUSING	1

THIS DRAWING IS A CONTROLLED DOCUMENT.		DWN	Tyco Electronics Tyco Electronics AMP K.K. Kawasaki, Japan		
DIMENSIONS: 単位: 耗 mm		CHK	NAME 名称		
TOLERANCES UNLESS OTHERWISE SPECIFIED: 一般公差		APVD	HDMI 19 POS RECEPTACLE ASSY SMT TYPE S		
0 PLC ± 0.2		PRODUCT SPEC 製品規格	SIZE	CAGE CODE	DRAWING NO 番号
1 PLC ± 0.2		APPLICATION SPEC 取付適用規格	A3	00779	G-1827059
2 PLC ± 0.2		WEIGHT	RESTRICTED TO		
3 PLC ± 0.2		CUSTOMER DRAWING			
4 PLC ± 0.2		SCALE 2:1 SHEET 2 OF 3 REV E			
ANGLES ± 2'					
MATERIAL 材料	FINISH 仕上				