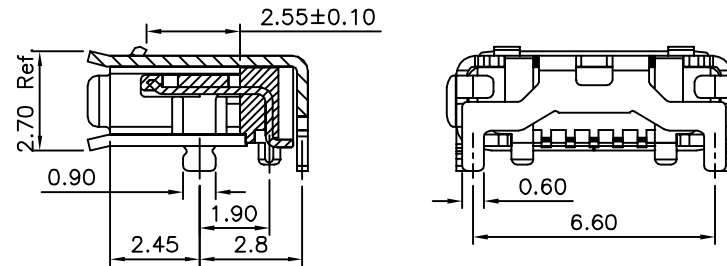
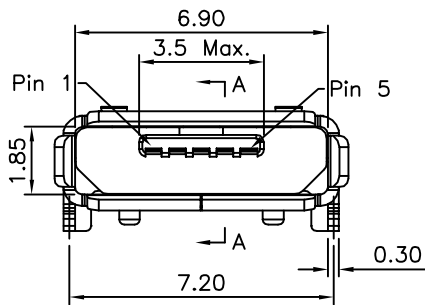
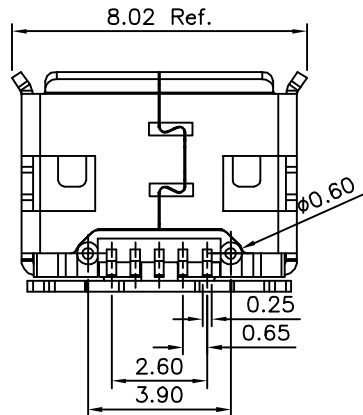


Recommended P.C.B. Layout (Top View)  
(PCB Board Tolerance ±0.05)



Section A-A



**SPECIFICATION**  
 ⚠ Power Supply: 1.8 Amp (Pin 1, 5), Other Contacts 0.5 Amp  
 Voltage: 30V Max.  
 Withstanding Voltage: 100V AC  
 Insulation Resistance: 100 Megaohms Min.  
 Contact Resistance: 30 Milliohms Max.  
 40 Milliohms Max. After 10000 Cycles  
 Temperature Range: -30°C ~ +80°C  
 Mating Force: 35N Max.  
 Withdrawal Force: 10N Min.  
 Durability: 10000 Cycles Min.  
 8~20N After 10000 Cycles  
 Insulator: LCP+30%G.F. (UL94V-0)  
 Contact: Brass  
 Gold Flash Over All, Over Nickel  
 ⚠ Shell: SUS301, Nickel Plated Over All  
 RoHS Compliant

**4UCON** 元化興業股份有限公司  
 4UCON TECHNOLOGY INC.

DRAWING No.

20329

APPROVED BY

EMILY

CHECKED BY

HZF

DRAWING BY

SONG

REV. A3

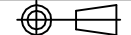
UNLESS OTHERWISE SPECIFIED TOLERANCES ARE

.X ±0.38 .X\* ±2\*

.XX ±0.25 .XX\* ±1\*

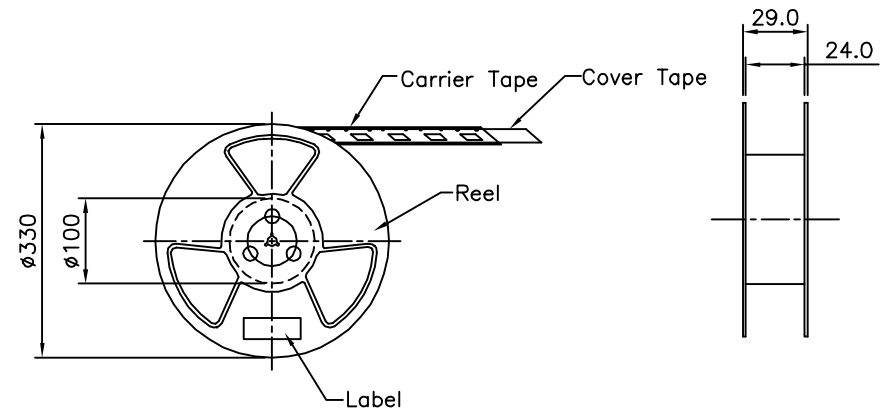
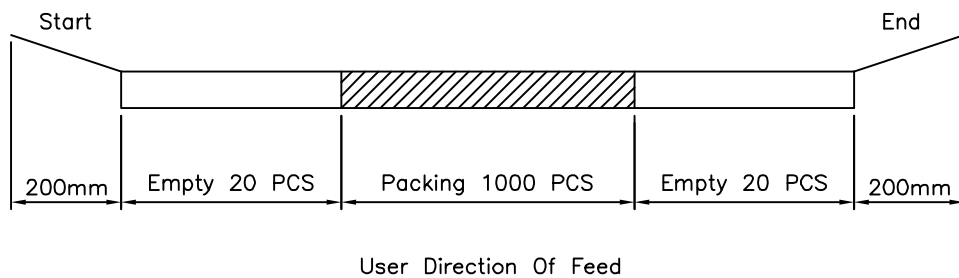
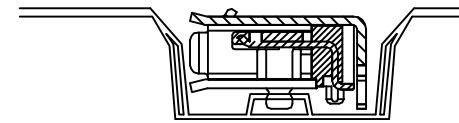
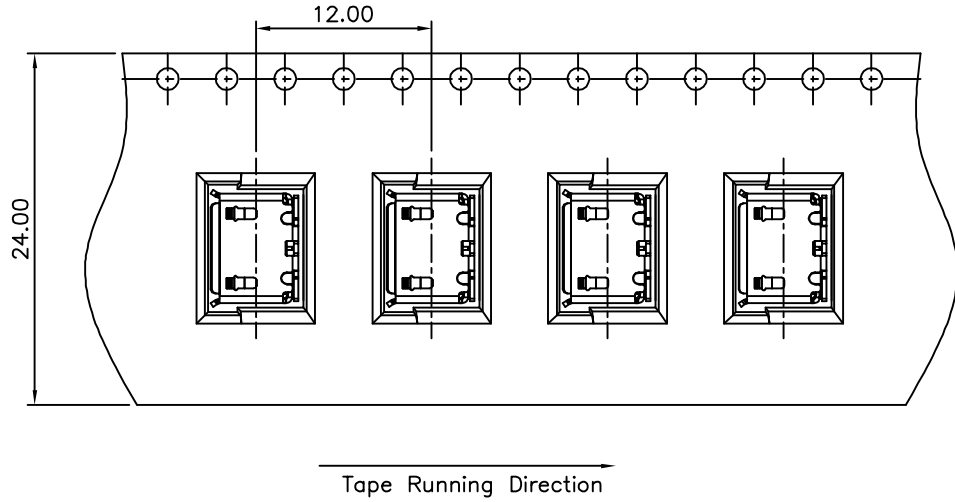
.XXX ±0.13 .XXX\* ±0.5\*

UNIT mm



NO.	REV.	REVISIONS	CHK	DATE
⚠	A3	Modify Data	HZF	04/09/2013
⚠	A2	Modify Data	HZF	02/20/2012
⚠	A1	Modify Spec.	HZF	12/29/2011
⚠	A0	NEW RELEASE	HZF	06/13/2011

**SPECIFICATION**  
 Reel:  $\phi 330 \times 29$ mm  
 Q'ty: 1000 PCS/Reel  
 RoHS Compliant



**4UCON** 元化興業股份有限公司  
 4UCON TECHNOLOGY INC.

DRAWING No.		APPROVED BY		UNLESS OTHERWISE SPECIFIED TOLERANCES ARE .X $\pm 0.38$ .XX $\pm 0.25$ ANG.
20329		EMILY		
		CHECKED BY HZF		
DRAWING BY		SONG		
SCALE	NONE	REV.	A3	UNIT mm

NO.	REV.	REVISIONS	CHK	DATE
A3		Modify Data	HZF	04/09/2013
A2		Modify Data	HZF	02/20/2012
A1		Modify Spec.	HZF	12/29/2011
A0		NEW RELEASE	HZF	06/13/2011