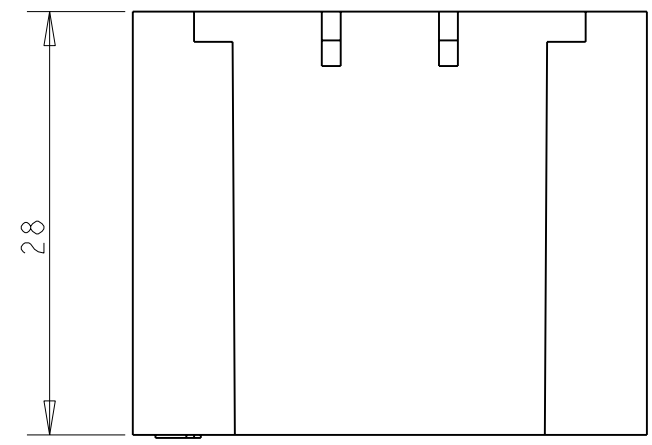
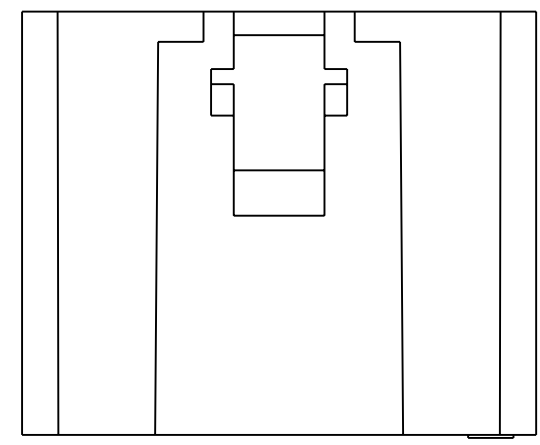
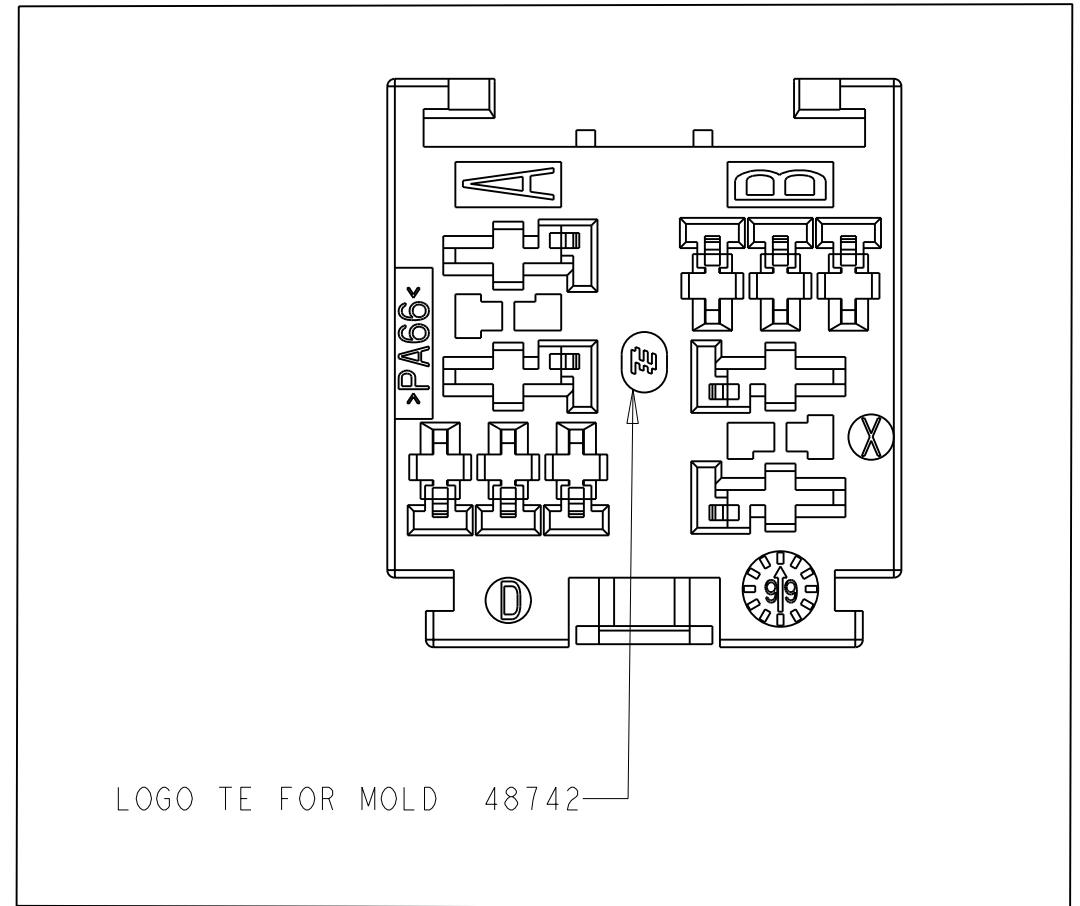
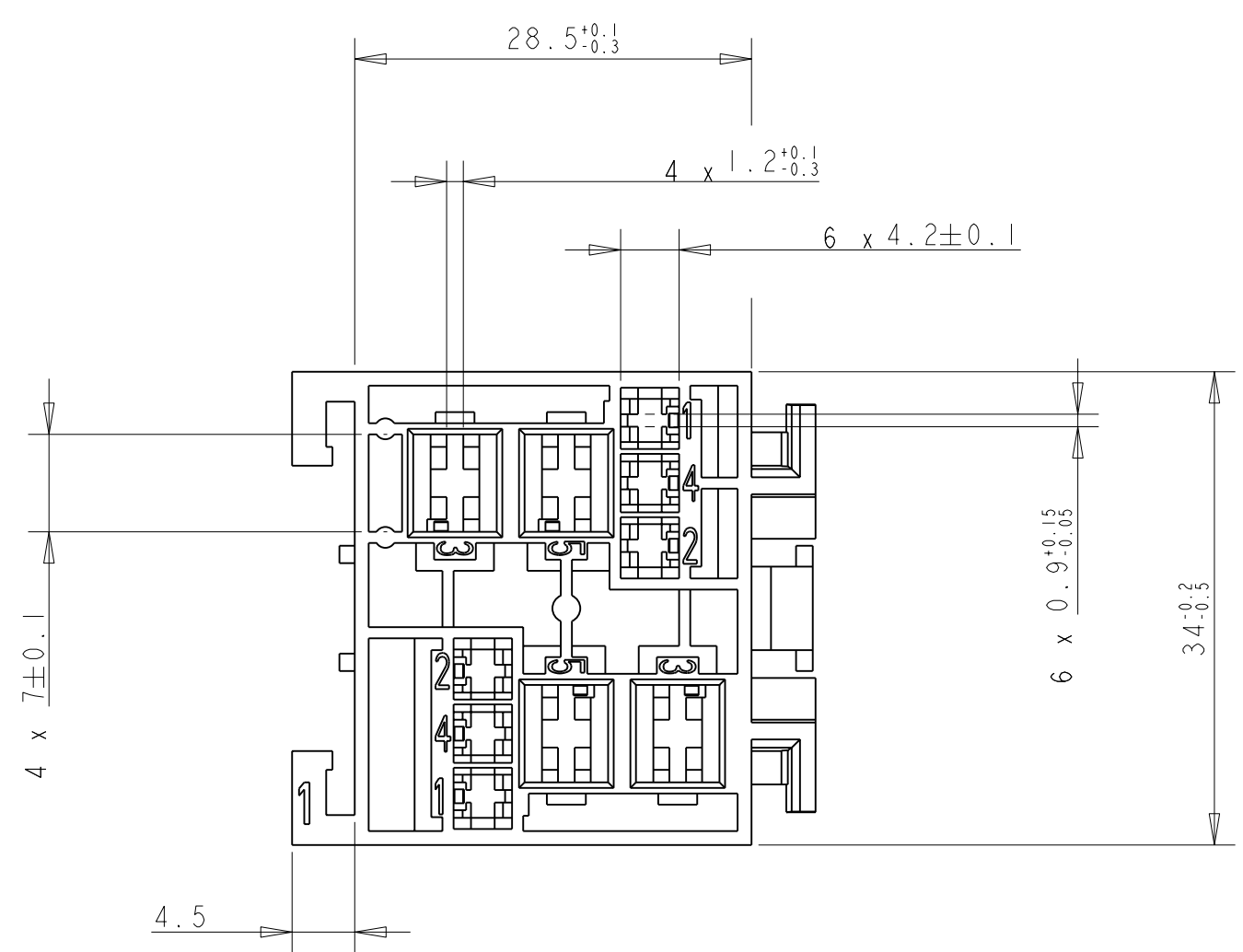


THIS DRAWING IS UNPUBLISHED.
 DIFFUSION RESTREINTE
 © COPYRIGHT 20

RELEASED FOR PUBLICATION
 LIBRE A LA DIFFUSION
 ALL RIGHTS RESERVED.
 TOUS DROITS RESERVES

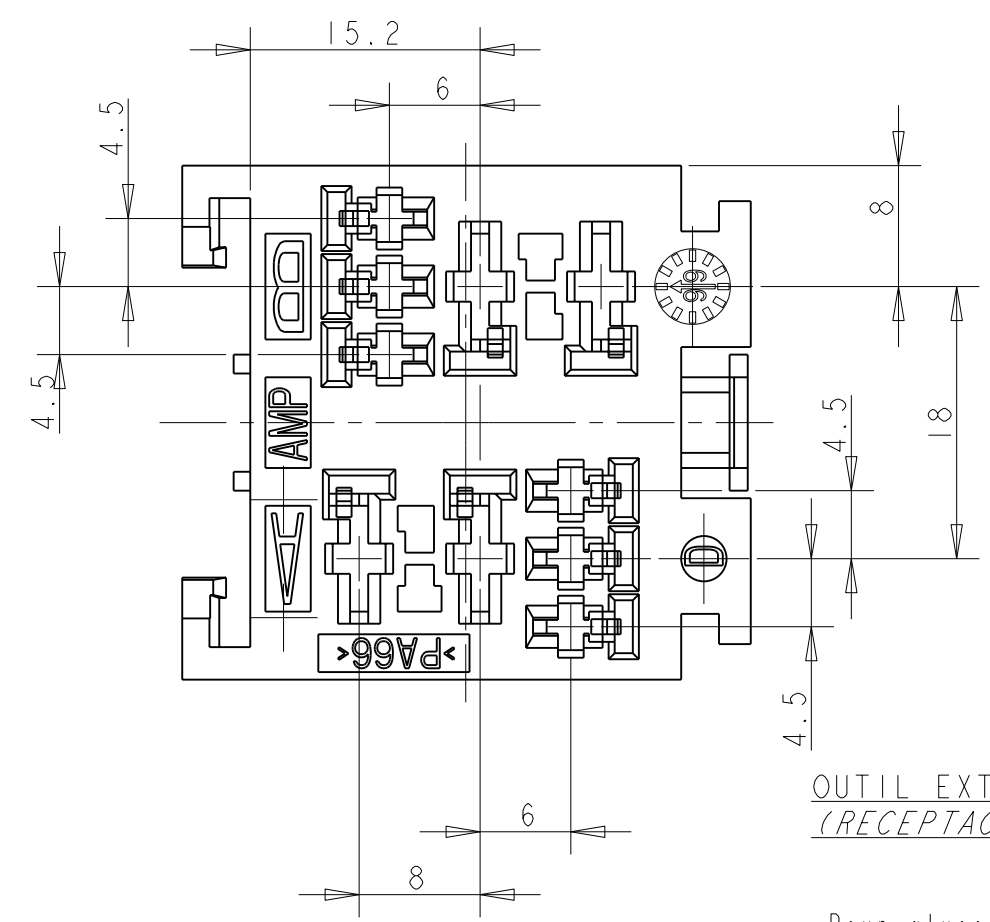
| REVISIONS | | | | | |
|-----------|-----|-------------------------------|-----------|--------------|--------------|
| P | LTR | DESCRIPTION MODIFICATIONS | DATE | DWN DESS. | APVD APP. |
| A | | VUE AVEC LOGO TE | 04MAY2009 | P.B | - |
| B | | 0.9+0.15-0.05 ETAIT 0.9+-0.05 | 06JUL2011 | PB | JP P |



**COMPOSANTS ASSOCIES
 (APPLIED COMPONENTS)**

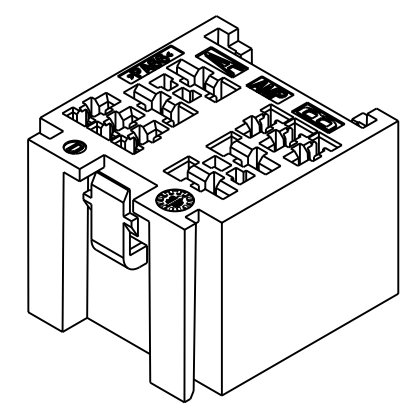
| DESIGNATION (DESCRIPTION) | Ref TE (TE PN) |
|------------------------------|-------------------|
| JPT 0.35-1mm ² | 144431-1 |
| JPT 1-3mm ² | 144432-1 |
| SPT 0.5-1mm ² | 927831-2 |
| SPT 1-3mm ² | 144617-1 |
| SPT 3-5mm ² | 144433-1 |
| SPT 5-7mm ² | 144434-1 |

| | | |
|--|-------------------------------|---------------------------|
| GRIS (GREY) | PA 6.6 | 185402-3 |
| NOIR (BLACK) | PA 6.6 | 185402-2 |
| CRISTAL (NATUREL) (CRYSTAL (NATURAL)) | PA 6.6 | 185402-1 |
| COULEUR (COLOR) | MATIERE (MATERIAL) | REF TE (TE PN) |



**OUTIL EXTRACTEUR DE CLIPS:
 (RECEPTACLE EXTRACTION TOOL)**

- Pour alveole Relais 2.8 Ref:951746-1
(FOR RELAY CAVITY)
- Pour alveole Relais 6.35 Ref:951745-1
(FOR RELAY CAVITY)



REFERENCE REPRESENTEE: 185402-1

| | | | | |
|---|--|--|---|--|
| THIS DRAWING IS A CONTROLLED DOCUMENT. <small>CE PLAN EST UN DOCUMENT CONTROLE PAR TYCO ELECTRONICS. IL EST SUSCEPTIBLE D'ETRE REVISE. CONTACTER LE SERVICE TECHNIQUE DE TYCO ELECTRONICS POUR OBTENIR LA DERNIERE REVISION.</small> | | DWN /DESSINE R. PATIN 31MAR2004 | TE Connectivity | |
| DIMENSIONS: mm | | CHK /VERIFIE JP. PICAUD 31MAR2004 | | |
| TOLERANCES UNLESS OTHERWISE SPECIFIED: TOLERANCES NON SPECIFIEES (SUIV NB DE DECIMALES) 0 PLC/DEC: ± 1 PLC/DEC: ±0.2 2 PLC/DEC: ± 3 PLC/DEC: ± 4 PLC/DEC: ± ANGLES ±5° | | APVD /APROUVE J. DAHER 31MAR2004 | NAME /TITRE MODULE UNITAIRE 2 MICRO-RELAIS | |
| MATERIAL /MATIERE VOIR TABLE | | PRODUCT SPEC SPEC. PRODUIT 108-15131 | SIZE /FORMAT A2 | |
| FINISH /FINITION VOIR TABLE | | APPLICATION SPEC SPEC. APPLICATION 411-15551 | CAGE CODE 00779 | |
| | | WEIGHT /MASSE APPROX. 16g | DRAWING NO /No PLAN 185402 | |
| | | CUSTOMER DRAWING /PLAN CLIENT | RESTRICTED TO RESERVE A - | |
| | | UNIQUEMENT POUR REFERENCE | SHEET /FEUILLE 1 OF /DE 1 REV B | |