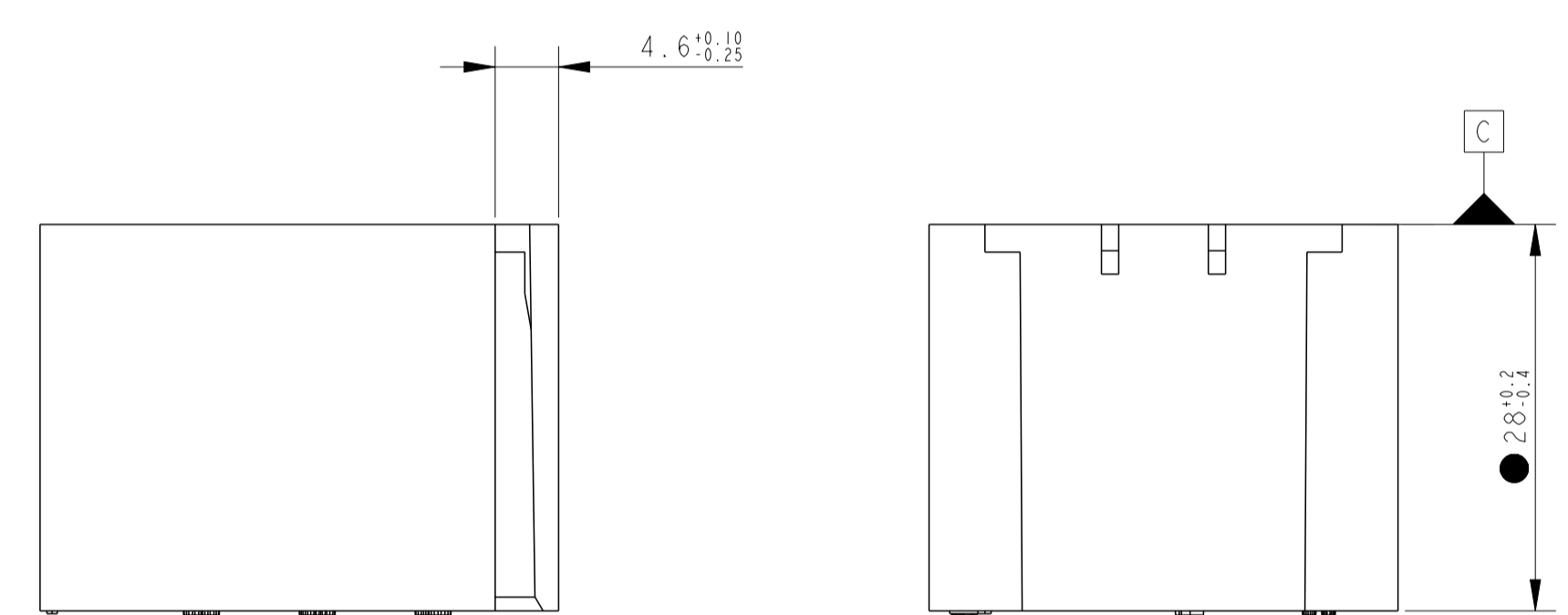
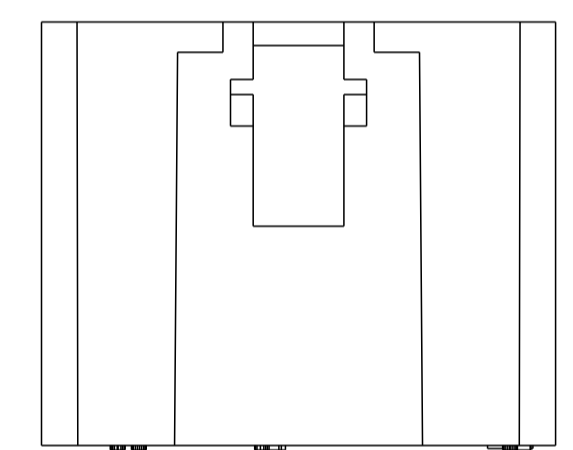
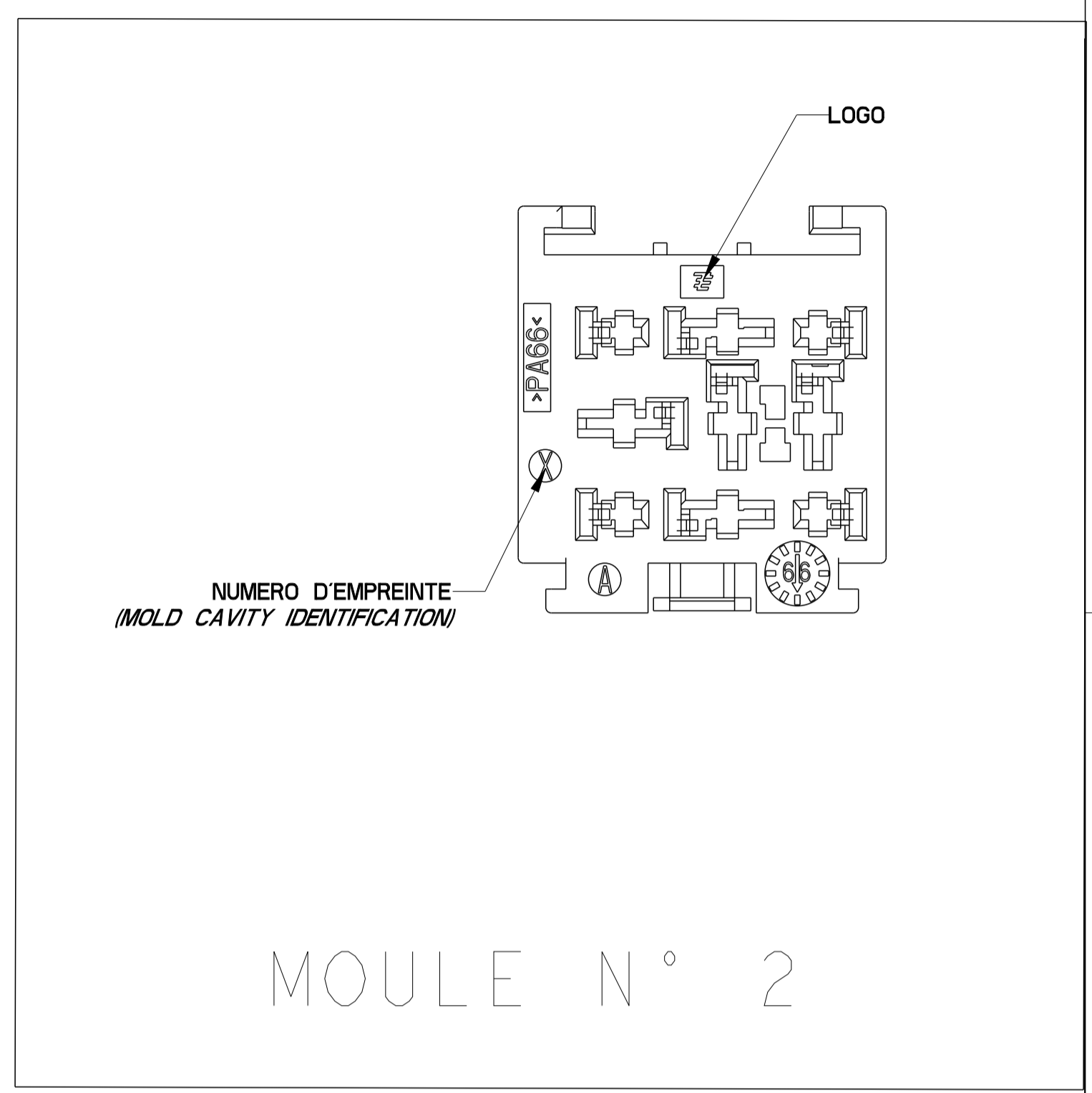
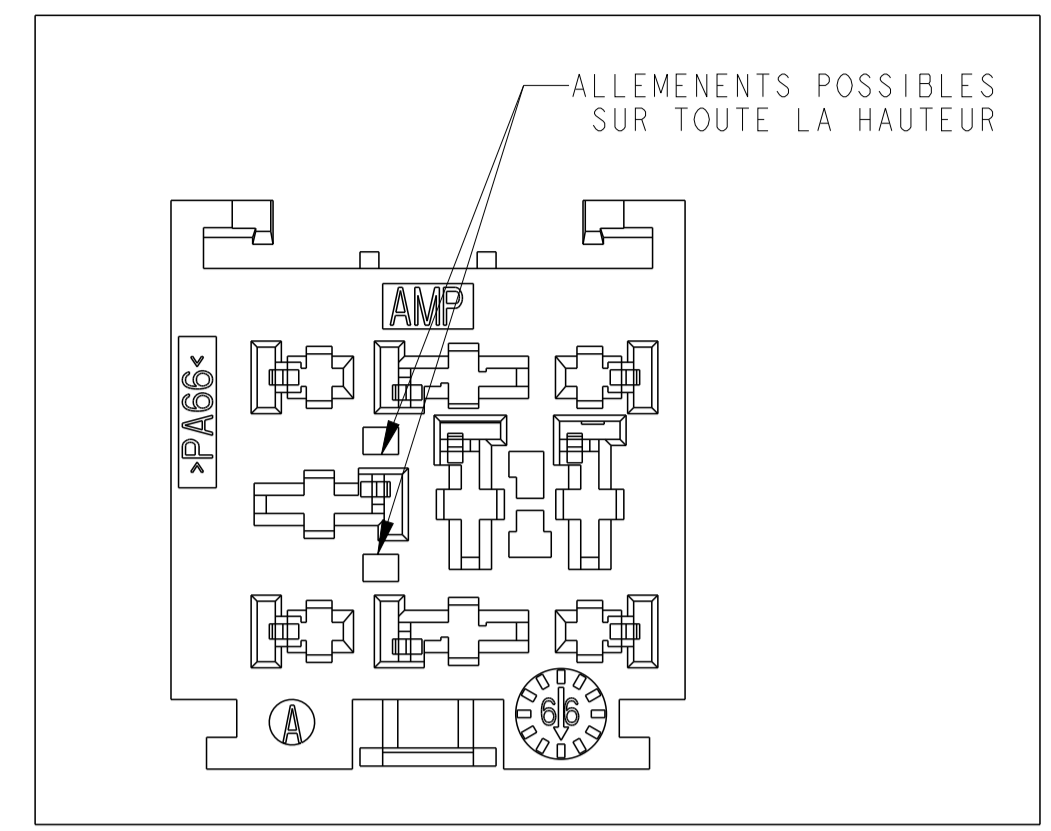
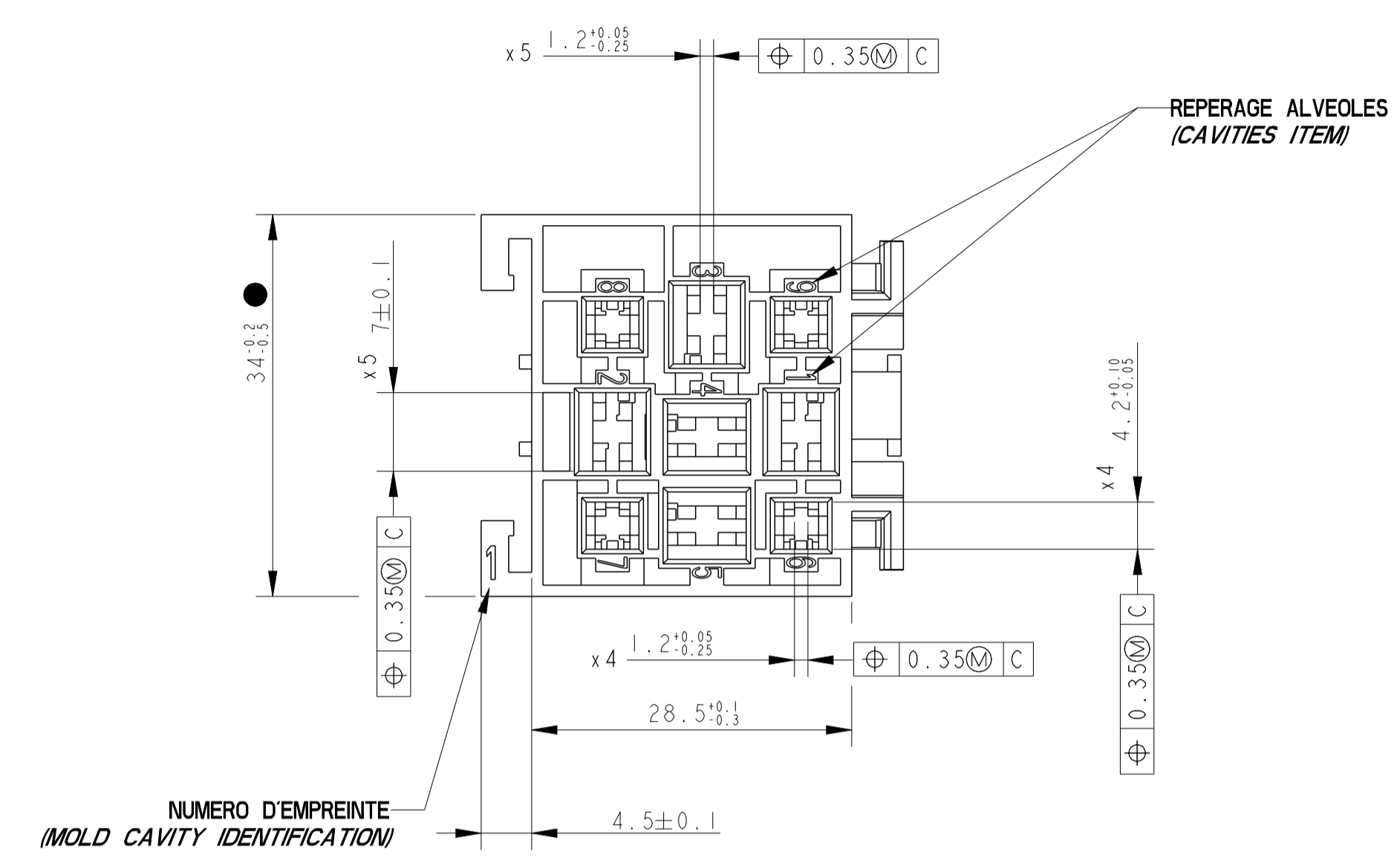


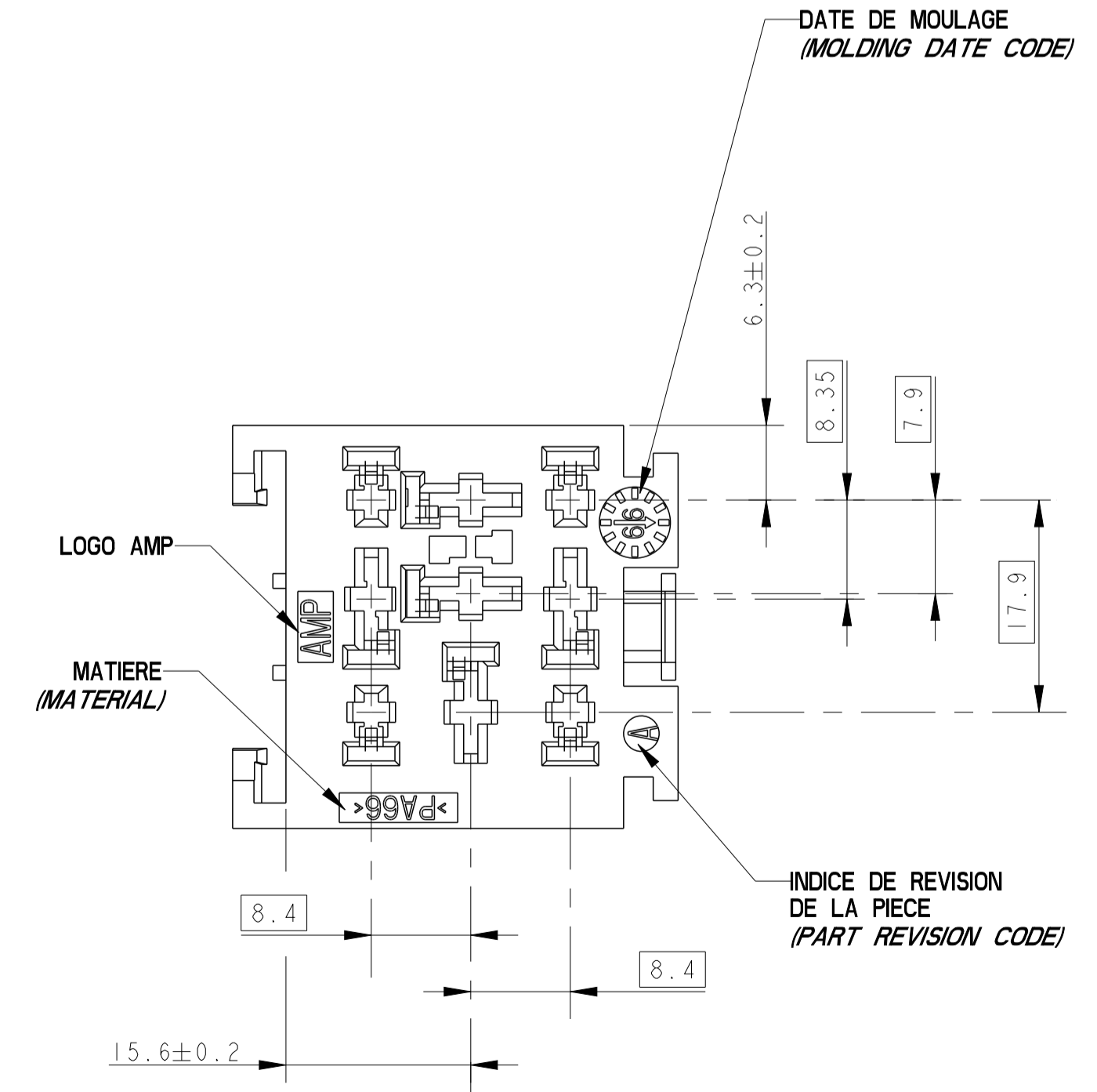
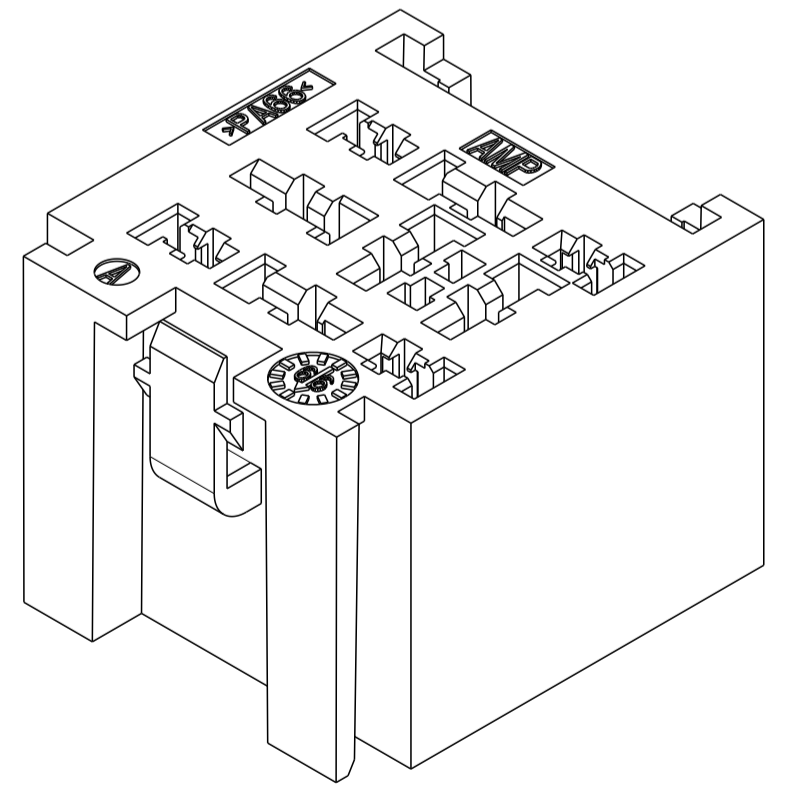
LOC		DIST		REVISIONS			
F	00	P	LTN	DESCRIPTION	DATE	DWN	APVD
		REV		MODIFICATIONS		DESS	APP
		A		INITIAL RELEASE	08APR2013	CS	JPP



COTE CAPABILITE MACHINE
 MOLD CAPABILITY DIMENSION

MARRON (BROWN)	PA 6.6	185403-4
GRIS (GREY)	PA 6.6	185403-3
NOIR (BLACK)	PA 6.6	185403-2
CRISTAL (NATUREL) (CRYSTAL (NATURAL))	PA 6.6	185403-1
COULEUR (COLOR)	MATIERE (MATERIAL)	REF TE (TE PN)

COMPOSANTS ASSOCIES (APPLIED COMPONENTS)	
DESIGNATION (DESCRIPTION)	Ref TE (TE PN)
JPT 0.35-1mm ²	144431-1
JPT 1-3mm ²	144432-1
SPT 0.5-1mm ²	927831-2
SPT 1-3mm ²	144617-1
SPT 3-5mm ²	144433-1
SPT 5-7mm ²	144434-1



OUTIL EXTRACTEUR DE CLIPS:
 (RECEPTACLE EXTRACTION TOOL)

- Pour alveole Relais 2.8 Ref:951746-1 (FOR RELAY CAVITY)
- Pour alveole Relais 6.35 Ref:951745-1 (FOR RELAY CAVITY)

THIS DRAWING IS A CONTROLLED DOCUMENT. CE PLAN EST UN DOCUMENT CONTROLÉ PAR TIVO ELECTRONICS - IL EST PROPRIÉTÉ DE TIVO PERIS - CONSULTER LE SERVICE TECHNIQUE DE TIVO ELECTRONICS POUR OBTENIR LA DERNIÈRE RÉVISION.

DWN / DRESSINE: 08MAR2013
 C. SALGADO
 CHK / PREPTE: 08MAR2013
 JP. PICAUD

APVD / APPROVE: NAME: TIVO
 PRODUCT SPEC: MODULE UNITAIRE 5+4 VOIES
 SPEC. PRODUCT: 108-15131
 APPLICATION SPEC: APPLICATION SPEC
 411-15551

SIZE: A1
 CAGE CODE: 00779
 DRAWING NO: 185403

MATERIAL / MATIERE: VOIR TAB. (SEE TABLE)
 FINISH / FINITION: VOIR TAB. (SEE TABLE)
 WEIGHT / MASSE APPROX.: 17g

Customer Drawing / PLAN CLIENT UNIFORMEMENT / SCALE: 2:1
 SHEET: 1 OF 1 REV: A