



COAXIAL

# Adapter

## 185F-24F+

50Ω DC to 50 GHz 1.85 mm-Female to 2.4 mm-Female

### THE BIG DEAL

- Ultra Wideband, DC-50 GHz
- Flat Response
- Low Insertion Loss, 0.22 dB typ.
- Excellent VSWR, 1.08:1 typ.



Generic photo used for illustration purposes only

### APPLICATIONS

- Interconnection of RF cable and equipment

<b>Model No.</b>	185F-24F+
<b>Case Style</b>	DJ2477-1
<b>Connectors</b>	1.85 mm-F to 2.4 mm-F

#### +RoHS Compliant

The +Suffix identifies RoHS Compliance. See our website for methodologies and qualifications

### PRODUCT OVERVIEW

Mini-Circuits' 185F-24F+ is a coaxial 1.85 mm-F to 2.4 mm-F adapter supporting a wide range of applications from DC to 50 GHz. This model provides excellent VSWR, low insertion loss, and flat response versus frequency. The 185F-24F+ features passivated stainless steel construction and measures only 1.14" in length.

### KEY FEATURES

Features	Advantages
Wideband, DC to 50 GHz	Wide frequency range provides application flexibility and makes this model ideal for broadband and multi-band use.
Excellent VSWR, 1.08:1	Provides good matching for 50Ω systems and minimizes signal reflections across wide frequency range.
Low Insertion Loss, 0.22 dB	Provides excellent signal power transmission from input to output.
Passivated stainless steel construction.	Stands up to wear and tear in demanding environments and provides excellent reliability.
Very wide operating temperature range, -55 to +100 °C	Withstands extreme operating conditions and is suitable for use near high power componentry where heat rise is common.



COAXIAL

# Adapter

## 185F-24F+

50Ω DC to 50 GHz 1.85 mm-Female to 2.4 mm-Female

### ELECTRICAL SPECIFICATIONS AT 25°C

Parameter	Condition (GHz)	Min.	Typ.	Max.	Units
Frequency Range	-	DC	—	50	GHz
Insertion Loss	0.01-10	—	0.09	0.3	dB
	10-20	—	0.19	0.4	
	20-30	—	0.22	0.4	
	30-40	—	0.25	0.4	
	40-50	—	0.29	0.5	
VSWR	0.01-10	—	1.04	1.2	:1
	10-20	—	1.04	1.2	
	20-30	—	1.08	1.2	
	30-40	—	1.08	1.25	
	40-50	—	1.11	1.25	

### ABSOLUTE MAXIMUM RATINGS

Parameter	Ratings
Operating Temperature	-55°C to +100°C
Storage Temperature	-55°C to +100°C

Permanent damage may occur if any of these limits are exceeded.



COAXIAL

# Adapter

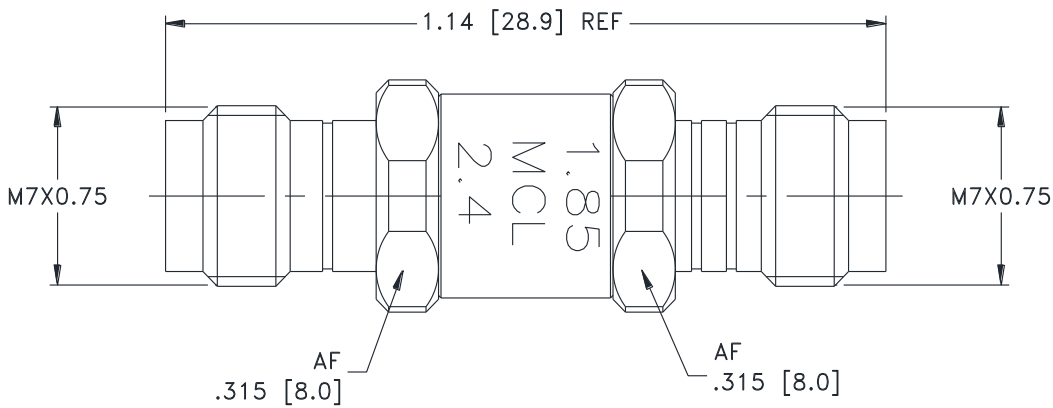
## 185F-24F+

50Ω DC to 50 GHz 1.85 mm-Female to 2.4 mm-Female

### COAXIAL CONNECTIONS

Connector 1	1.85 mm-F
Connector 2	2.4 mm-F

### OUTLINE DRAWING



Weight: 4.0 grams

Dimensions are in inches [mm]