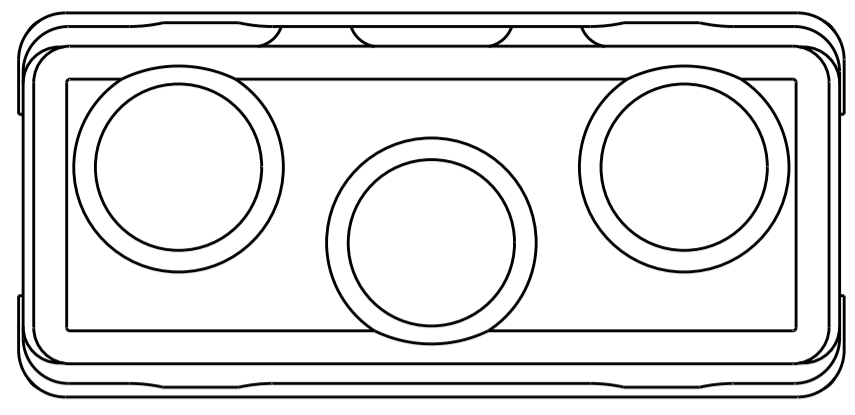
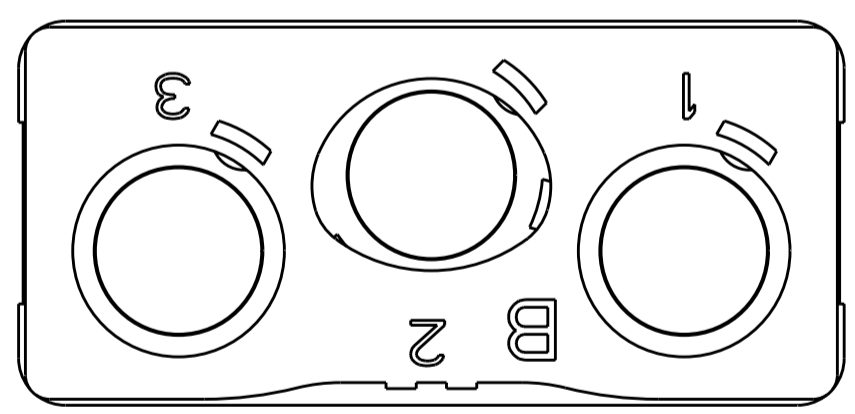
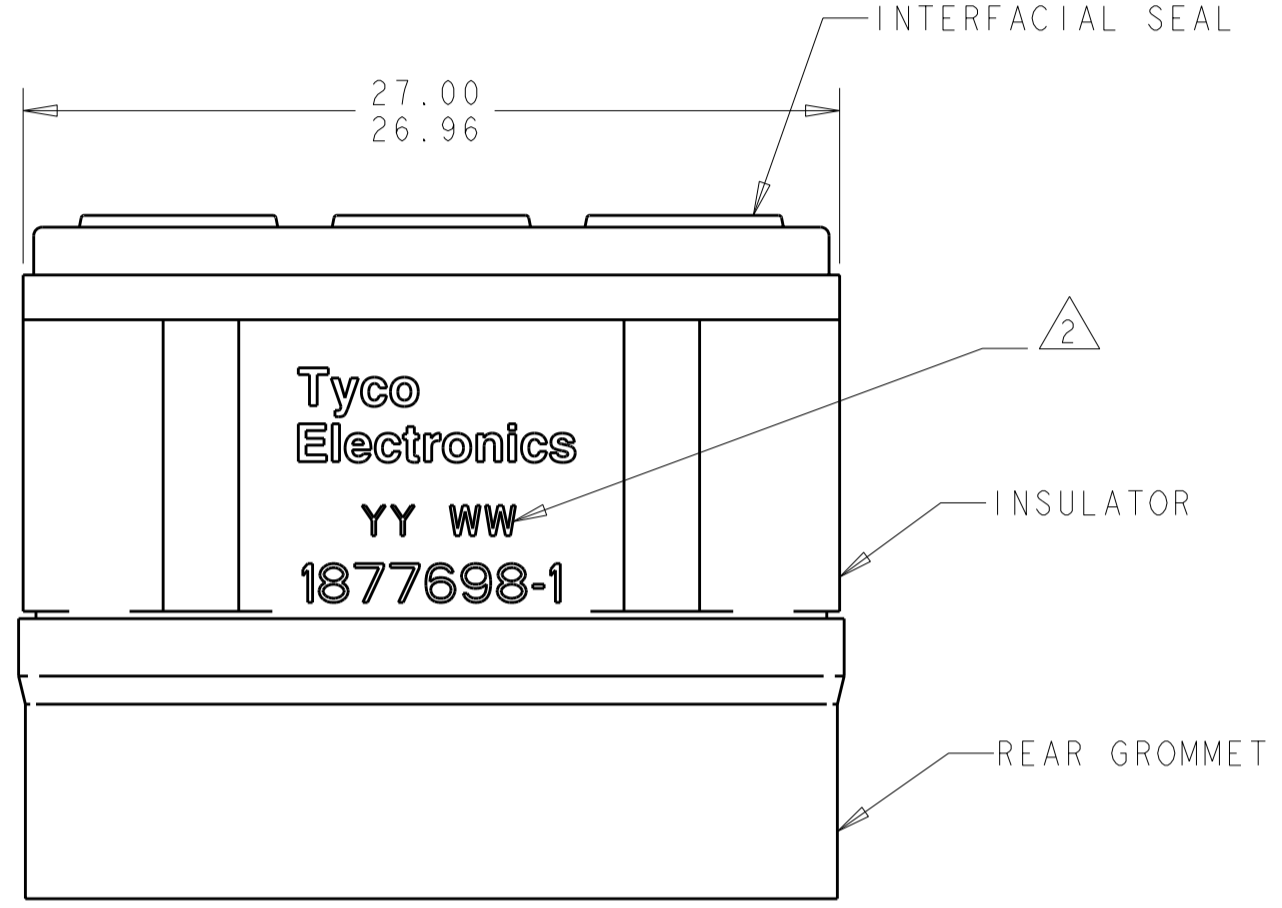
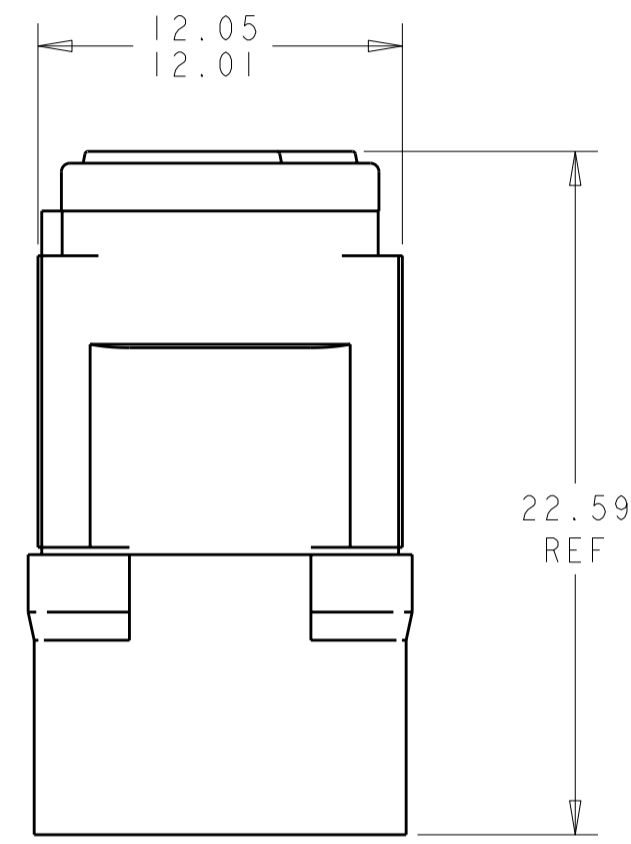


THIS DRAWING IS UNPUBLISHED. RELEASED FOR PUBLICATION 20
 © COPYRIGHT 20 BY TYCO ELECTRONICS CORPORATION. ALL RIGHTS RESERVED.

LOC	DIST	REVISIONS			
P	LTR	DESCRIPTION	DATE	DWN	APVD
DF	A5				
	1	DRAWN	-	-	-
	2	REVISED	21MAY2010	RF	JM



MATING FACE



REAR FACE

1 INSULATOR: HIGH-TEMP THERMOPLASTIC. COLOR: NATURAL.
 CONTACT RETENTION CLIPS: COPPER ALLOY PER ASTM B194 OR STAINLESS STEEL PER ASTM A666.
 REAR GROMMET & INTERFACIAL SEAL: FLUOROSILICONE ELASTOMER PER MIL-R-25988 B, EXCEPT 4.6.6.1.

- 2 DATE CODE (YY WW).
- 3 DESCRIPTIVE PART NUMBER: GPRBE3Q3PA
 THIS INSERT CONTAINS 3 CAVITIES FOR SIZE 8 QUADRAX PIN CONTACTS.
- 4 THIS PRODUCT IS SOLD BY TYCO ELECTRONICS UNDER A LICENSE FROM RADIAL SA.

THIS PRINT IS
PRELIMINARY
 UNQUALIFIED PRODUCT
 CONTACT PRODUCT ENGINEERING
 BEFORE USING THIS PRINT

1877698-1
 PART NUMBER

THIS DRAWING IS A CONTROLLED DOCUMENT FOR TYCO ELECTRONICS CORPORATION. IT IS SUBJECT TO CHANGE AND THE CONTROLLING ENGINEERING ORGANIZATION SHOULD BE CONTACTED FOR THE LATEST REVISION.		DWN	BH	16NOV2006	Tyco Electronics Harrisburg, PA 17105-3608
DIMENSIONS:		CHK	JPM	16NOV2006	
mm	TOLERANCES UNLESS OTHERWISE SPECIFIED:	APVD	JPM	16NOV2006	
	0 PLC ±-	PRODUCT SPEC		NAME	
	1 PLC ±0.1	-		INSERT ASSEMBLY, PIN, ENVIRONMENTAL,	
	2 PLC ±0.05	APPLICATION SPEC		ARRANGEMENT 303, KEY B, GPRB	
	3 PLC ±-	-		SIZE	CAGE CODE
	4 PLC ±-	WEIGHT		A200779	C=1877698
	ANGLES ±1	CUSTOMER DRAWING		SCALE	4:1
	FINISH	-		SHEET	1 OF 1
		-		REV	2