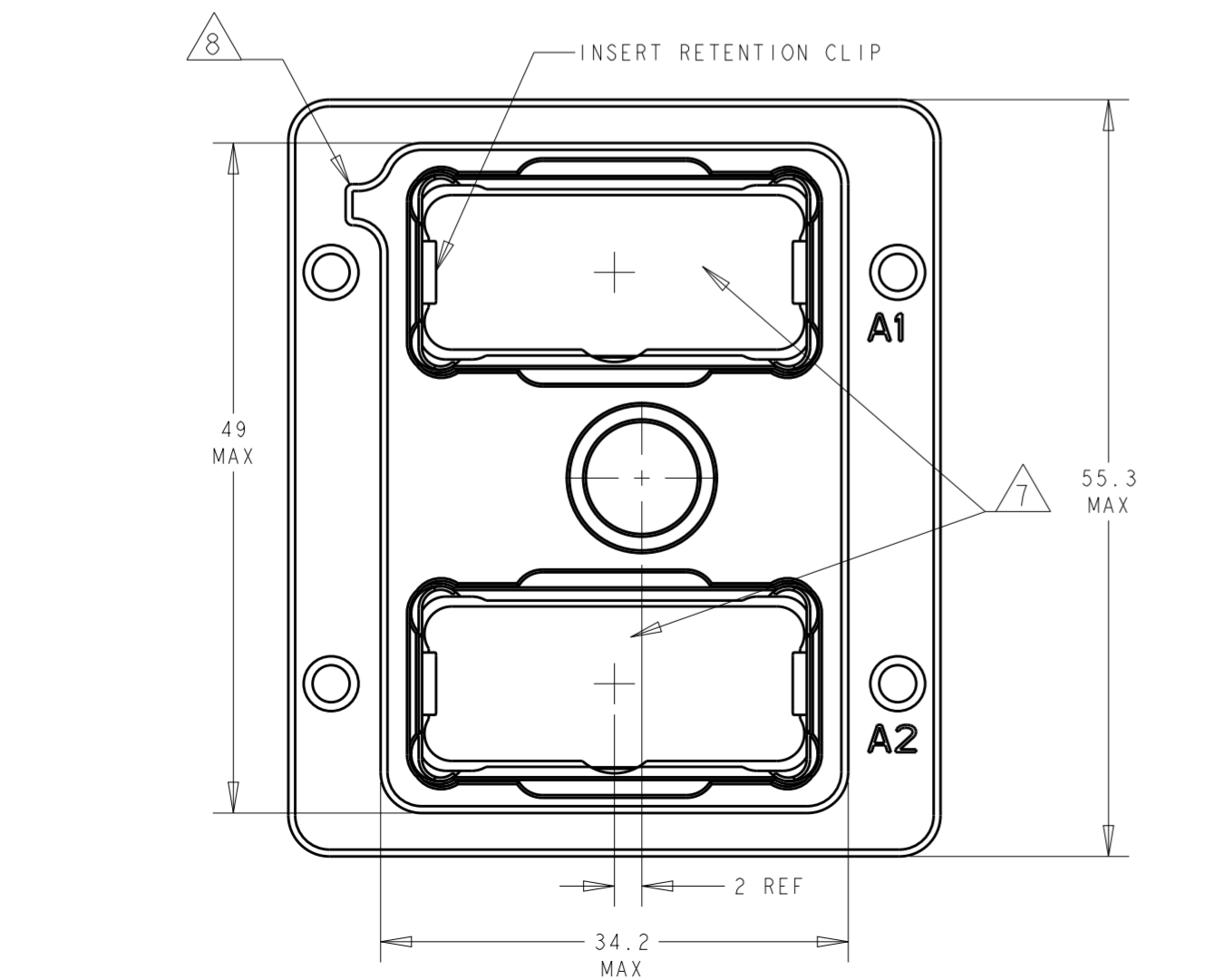
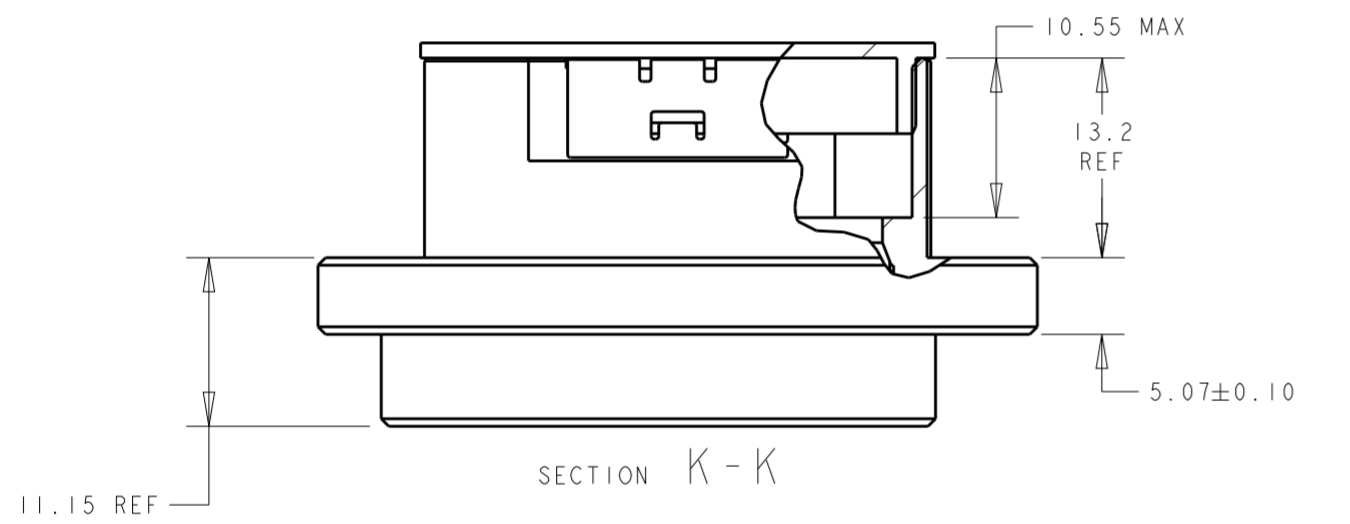
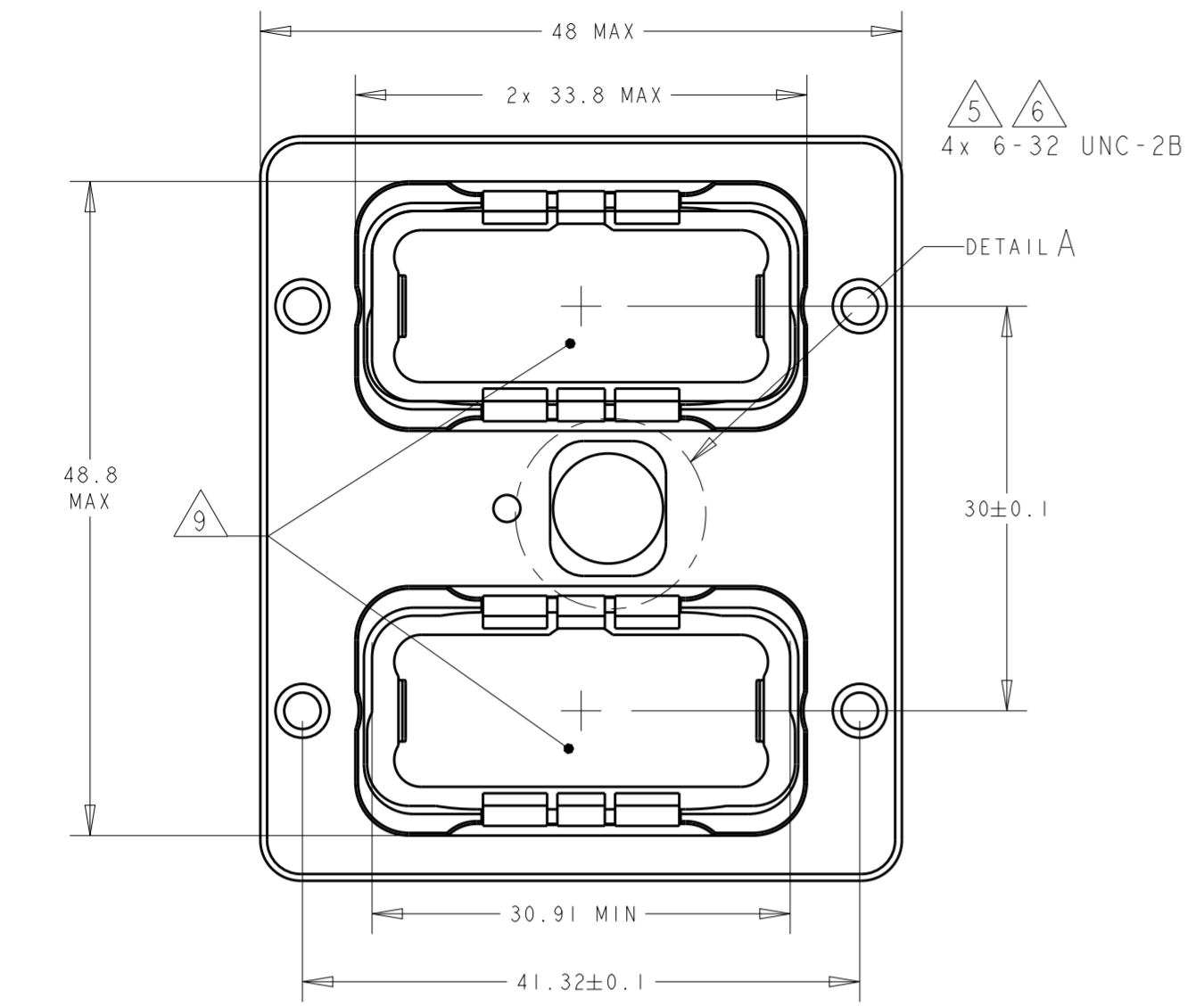
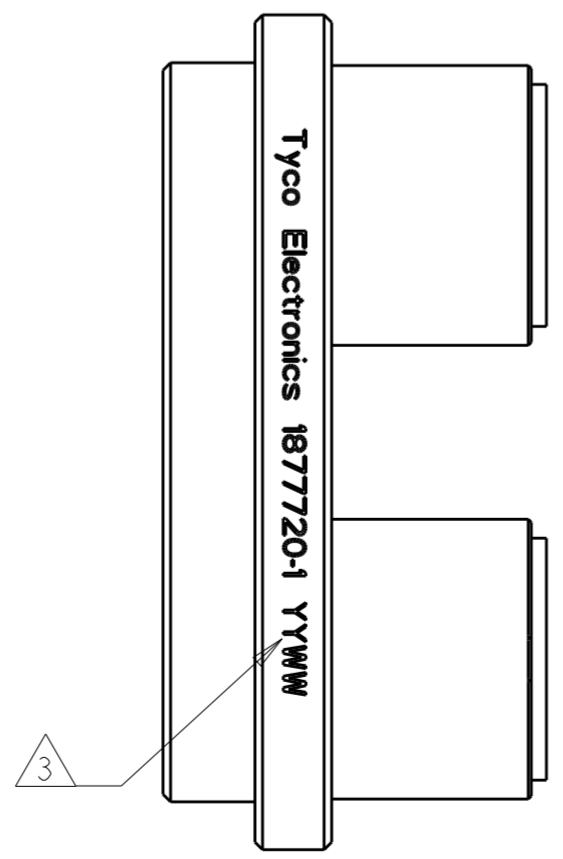
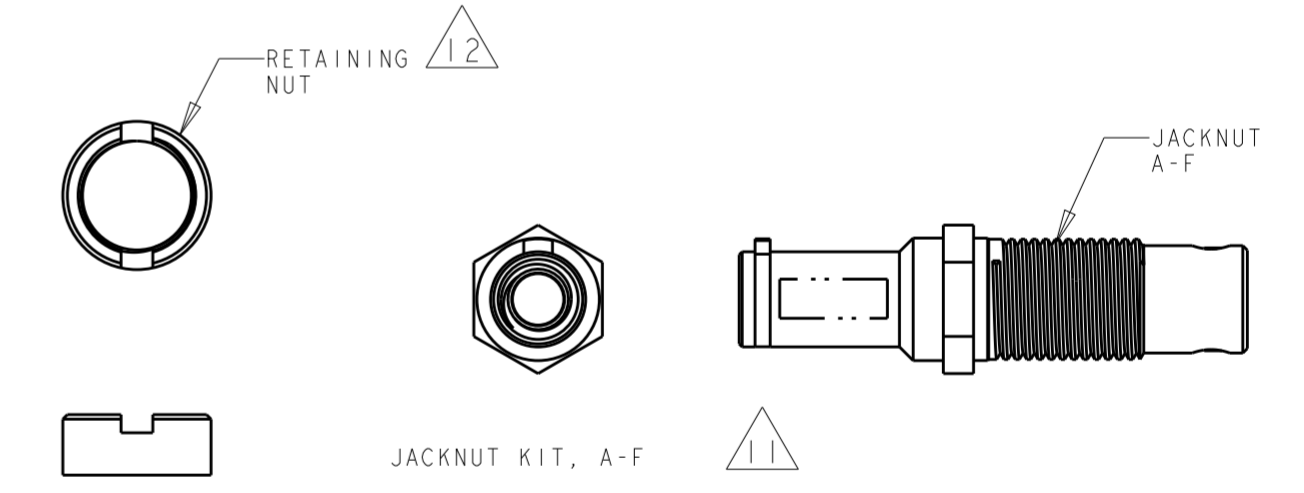
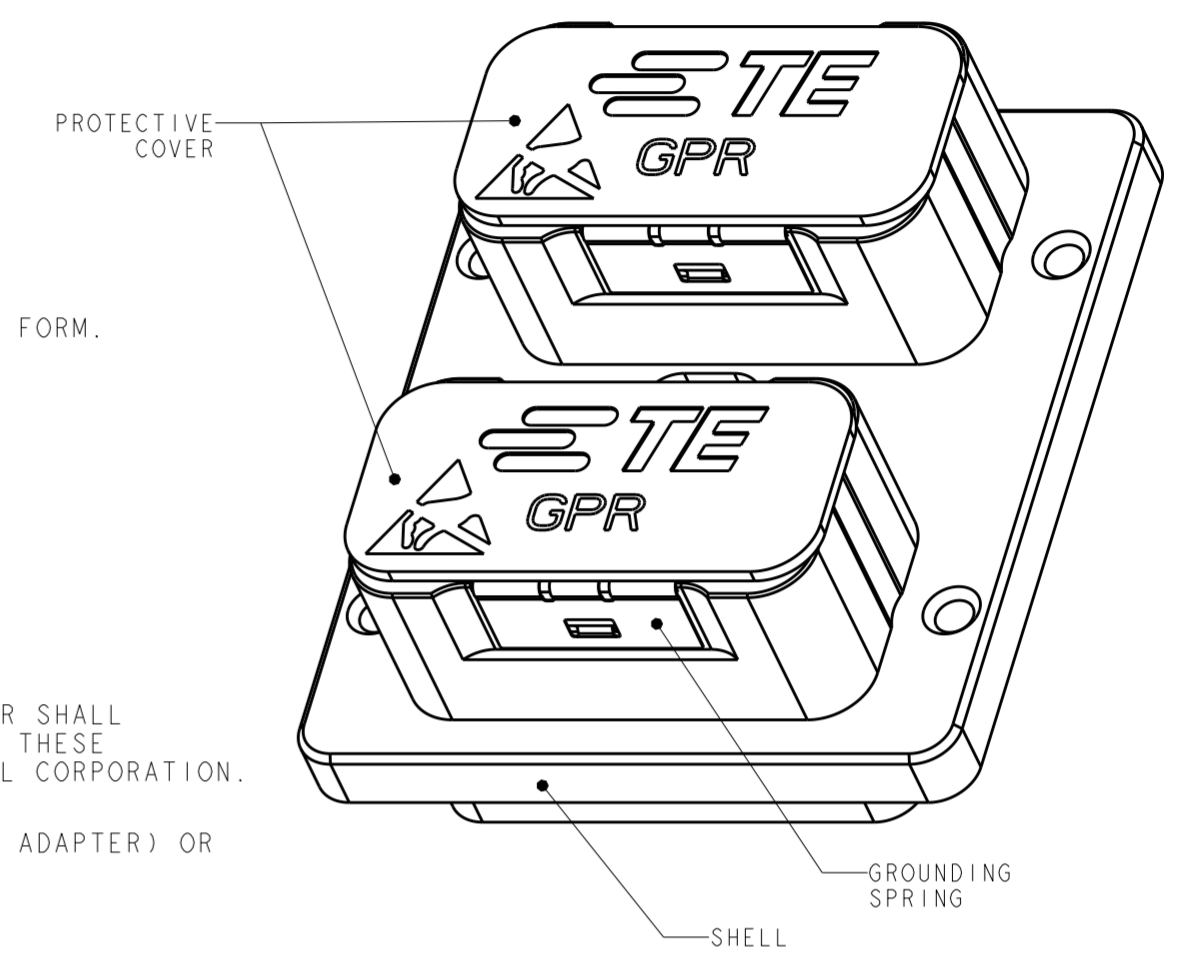


THIS DRAWING IS UNPUBLISHED. RELEASED FOR PUBLICATION 20  
 © COPYRIGHT 20 BY - ALL RIGHTS RESERVED.

REVISIONS				
P	LTR	DESCRIPTION	DATE	APVD
D		REV PER ECO 17-008683	7-19-17	CT EO



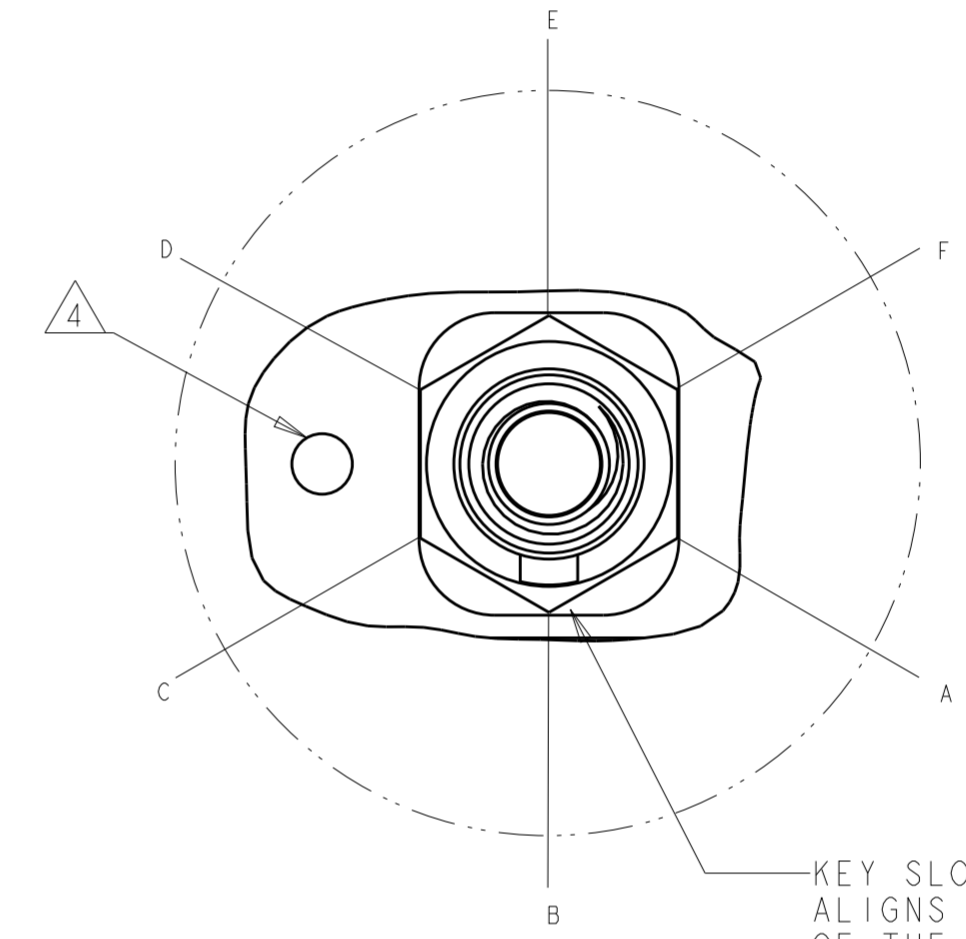
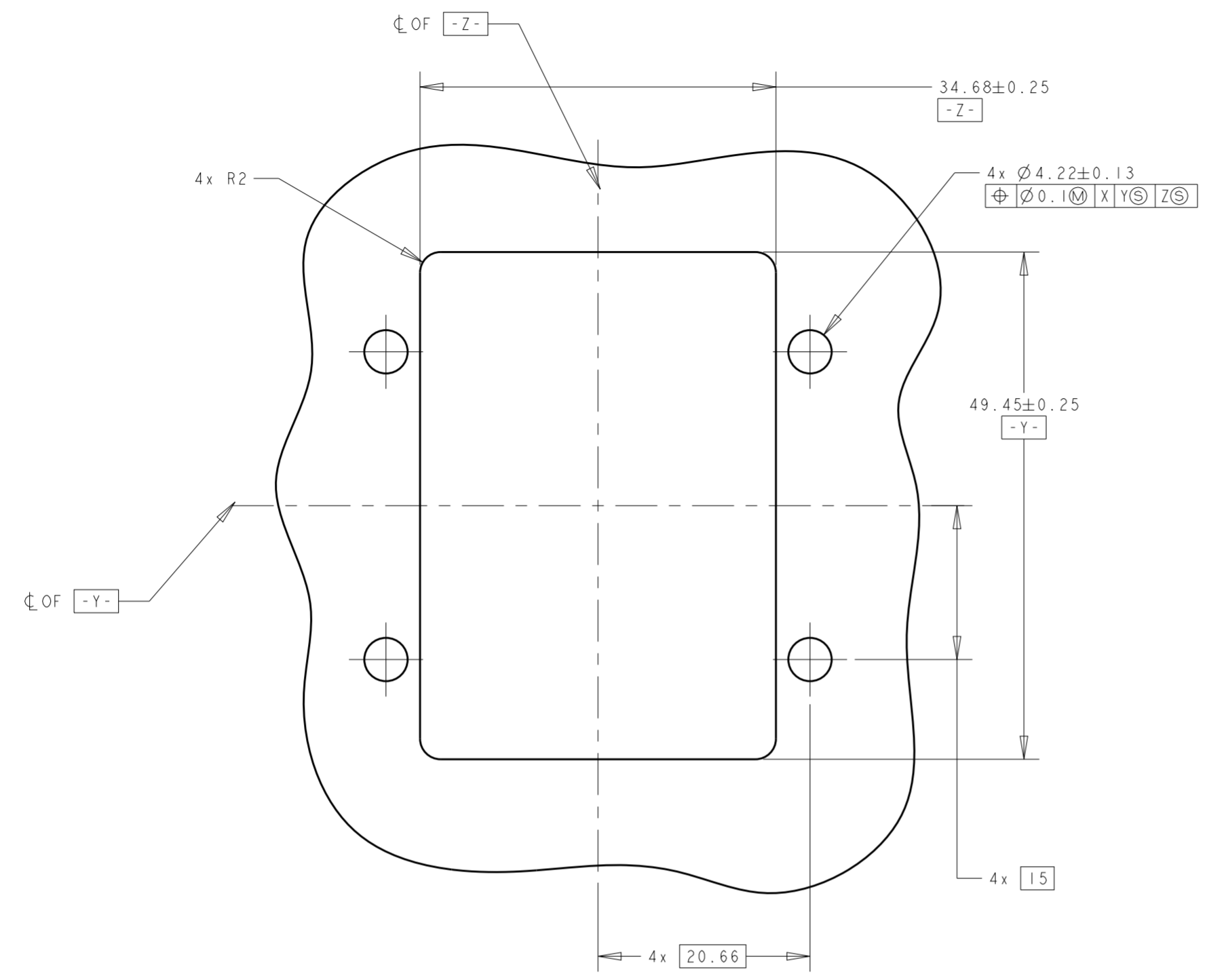
- 1 SHELL: ALUMINUM ALLOY 6061 T651  
 INSERT RETENTION CLIP & GROUNDING SPRING: COPPER ALLOY PER ASTM B194  
 JACKNUT & RETAINING NUT: STAINLESS STEEL PER AISI 316  
 JACKNUT SPRING: STAINLESS STEEL PER AISI 302  
 PROTECTIVE COVER: ANTI-STATIC THERMOPLASTIC ELASTOMER PER ASTM D5593, COLOR: BLACK.
- 2 SHELL: ELECTROLESS NICKEL PER SAE AMS-C-26074, CLASS 1  
 GROUNDING SPRING: ELECTROLYTIC NICKEL PER SAE AMS-QQ-290
- 3 DATE CODE - YEAR & WEEK (YY WW).
- 4 INDEXING POINT FOR POLARIZATION.
- 5 6-32 SCREWS ARE REQUIRED FOR PANEL MOUNTING (NOT INCLUDED).  
 SCREW HEAD DIAMETER: 8.5 MAX  
 RECOMMENDED TORQUE 1.1 N·m [10 in·lb] MIN
- 6 6-32 THREADED HOLES ARE SELF-LOCKING, HAVING THE SPIRALOCK® THREAD FORM.  
 SPIRALOCK® IS A REGISTERED TRADEMARK OF SPIRALOCK CORPORATION.
- 7 SHELL CAVITY FOR GPRB SERIES INSERTS WITH KEYING CODE A.
- 8 POLARIZATION FEATURE TO PREVENT FRONT PANEL MOUNTING.
- 9 PROTECTIVE COVER NOT SHOWN FOR CLARITY.
- 10 PANEL THICKNESS: 5 MAX
- 11 THE JACKNUT AND RETAINING NUT ARE SHIPPED UNASSEMBLED. THE CUSTOMER SHALL APPLY LOCTITE® PRODUCT 272 THREAD LOCKING ADHESIVE WHEN INSTALLING THESE ON THE SHELL ASSEMBLY. LOCTITE® IS A REGISTERED TRADEMARK OF HENKEL CORPORATION.
- 12 A SPANNER WRENCH TOOL, TYCO ELECTRONICS P/N 1738220-1 (WITH 1/4-IN ADAPTER) OR 1738221-1 (WITH T-HANDLE), IS USED TO LOCK THE RETAINING NUT.  
 RECOMMENDED TORQUE: 1.5 N·m [13 in·lb].
- 13. PITCH FOR SIDE-BY-SIDE MOUNTING: 55.8mm MIN.
- 14. THIS PRODUCT IS SOLD BY TYCO ELECTRONICS UNDER A LICENSE FROM RADIAL SA.



THIS DRAWING IS A CONTROLLED DOCUMENT.		DWN BW	24MAY2005	TE Connectivity	
DIMENSIONS: mm		CHK JPM	24MAY2005		
TOLERANCES UNLESS OTHERWISE SPECIFIED:		APVD JPM	24MAY2005	NAME RECEPTACLE SHELL KIT, VERTICAL, REAR PANEL MOUNT, WITH A-F JACKNUT, GPRB2	
0 PLC ±0.2 1 PLC ±0.2 2 PLC ±0.2 3 PLC ± 4 PLC ±		PRODUCT SPEC -		SIZE A2	
MATERIAL 1		APPLICATION SPEC -		CAGE CODE -	
ANGLES FINISH 2		WEIGHT -		DRAWING NO C-1877720	
CUSTOMER DRAWING		SCALE 2:1		SHEET 1 OF 2	
				RESTRICTED TO -	
				REV D	

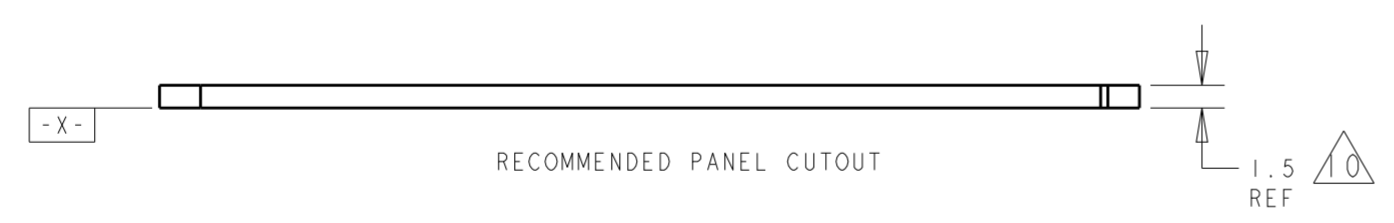
THIS DRAWING IS UNPUBLISHED. RELEASED FOR PUBLICATION 20  
 © COPYRIGHT 20 BY - ALL RIGHTS RESERVED.

REVISIONS				
P	LTR	DESCRIPTION	DATE	APVD
-	-	SEE SHEET 1	-	-



KEY SLOT OF A-F JACKSCREW  
 ALIGNS WITH THE CORNER POINTS  
 OF THE POLARIZING HEX  
 (SHOWN IN POSITION B)

DETAIL A - JACKNUT KIT ASSEMBLED  
 SCALE 4:1



THIS DRAWING IS A CONTROLLED DOCUMENT.		DWN BW	24MAY2005	<b>STE</b> TE Connectivity
		CHK JPM	24MAY2005	
		APVD JPM	24MAY2005	NAME RECEPTACLE SHELL KIT, VERTICAL, REAR PANEL MOUNT, WITH A-F JACKNUT, GPRB2
		PRODUCT SPEC		
		APPLICATION SPEC		SIZE A2
		WEIGHT		CAGE CODE -
		CUSTOMER DRAWING		DRAWING NO. C-1877720
		SCALE 3:1		RESTRICTED TO -
		SHEET 2 OF 2		REV D