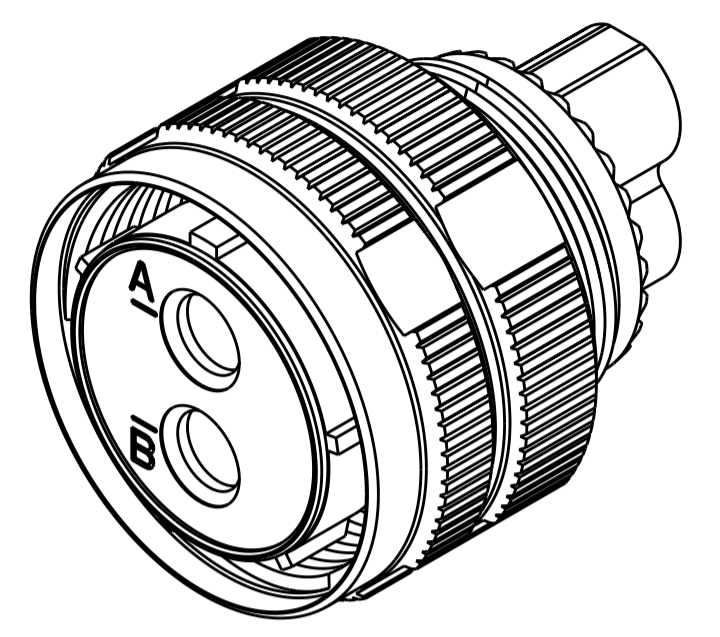
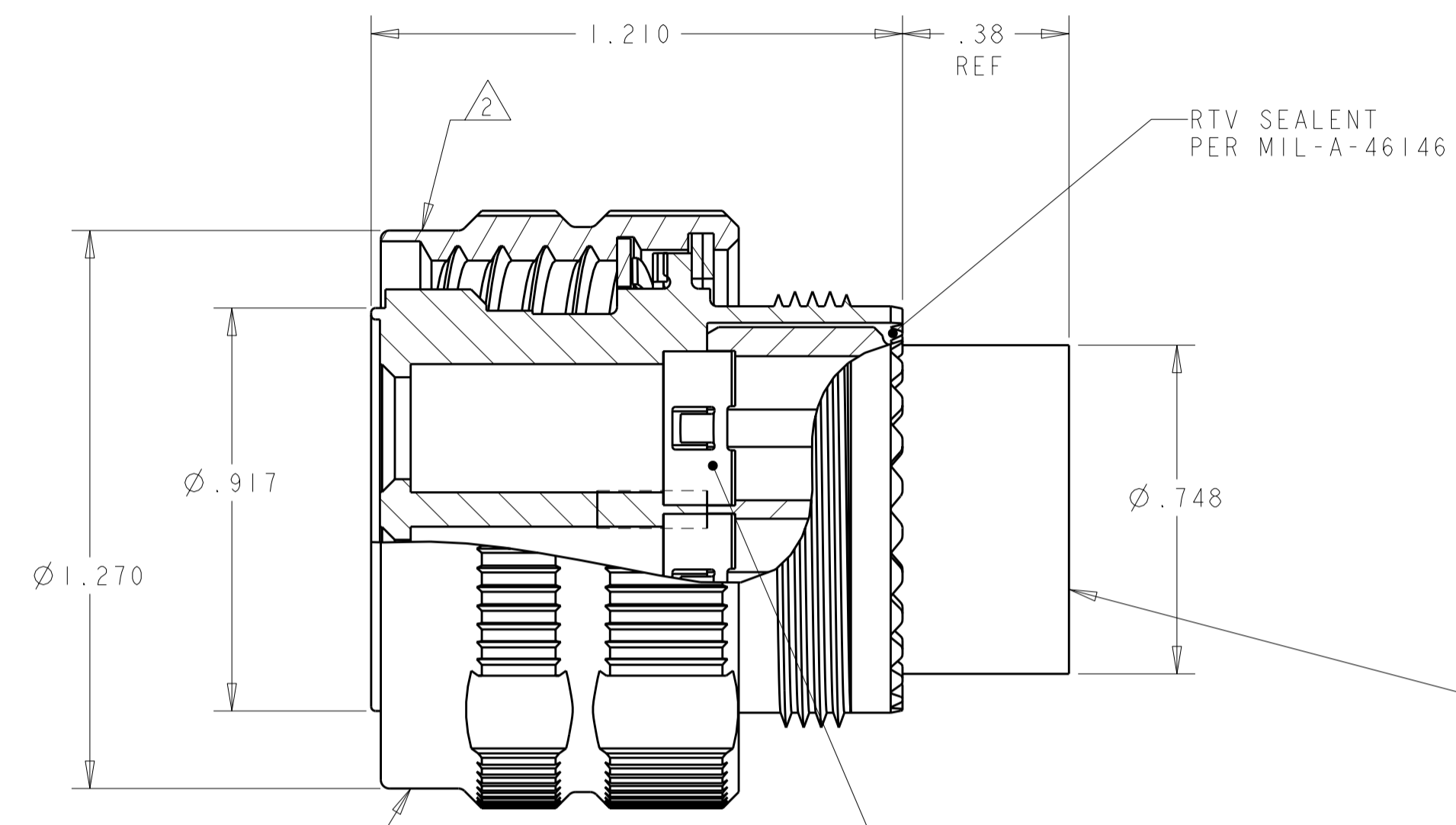
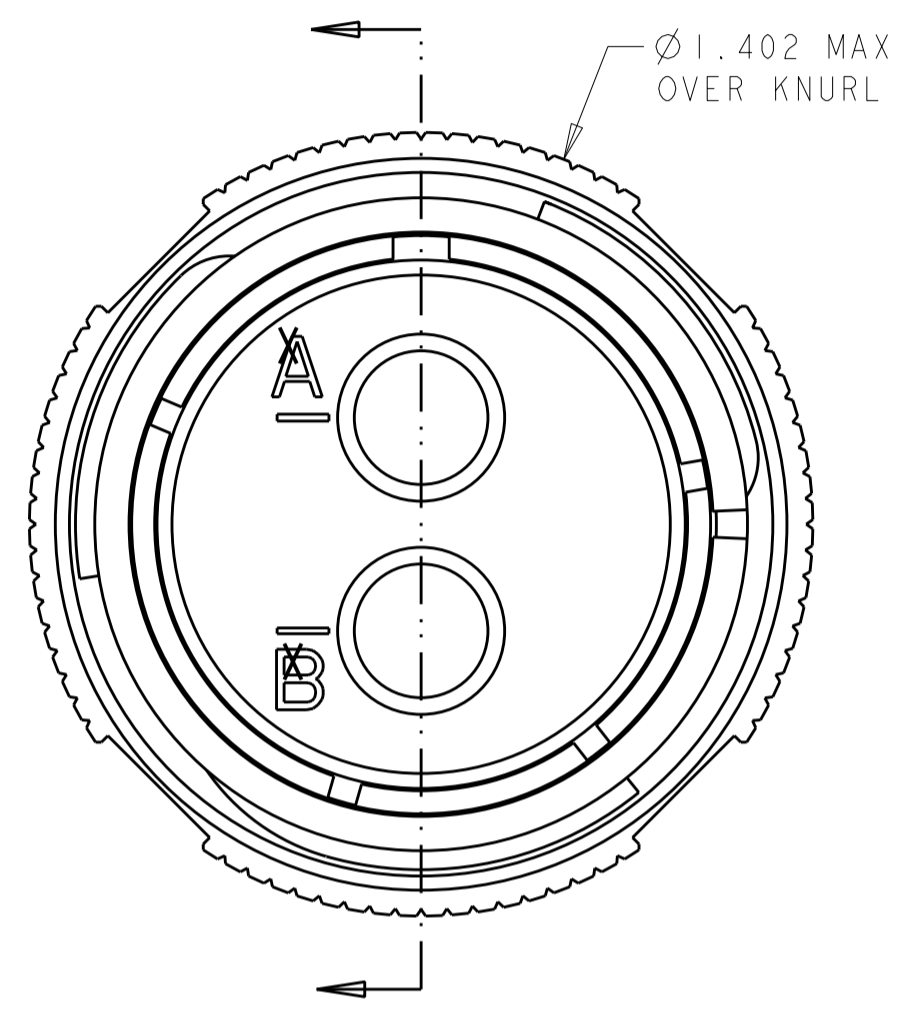


THIS DRAWING IS UNPUBLISHED. RELEASED FOR PUBLICATION 20  
 © COPYRIGHT 20 BY - ALL RIGHTS RESERVED.

LOC	DIST	REVISIONS					
DF	A5	P	LTR	DESCRIPTION	DATE	DWN	APVD
		E		REV PER ECO 12-004697	4-12-12	CT	DM



PLUG SHELL  
 MAT'L: ALUMINUM ALLOY  
 FINISH: SEE TABLE

SECTION X-X

RETENTION CLIP; QTY = 2  
 MAT'L: STAINLESS STEEL  
 FINISH: SILVER PLATE OVER  
 NICKEL UNDER PLATE

RETAINER PLATE  
 MAT'L: CONDUCTIVE  
 COMPOSITE THERMOPLASTIC

OLIVE DRAB	--	B	1-1877775-2
OLIVE DRAB	--	A	1-1877775-1
OLIVE DRAB	--	N	1-1877775-0
NICKEL	--	B	1877775-9
NICKEL	--	A	1877775-8
NICKEL	--	N	1877775-7
OLIVE DRAB	1445693-3	B	1877775-6
OLIVE DRAB	1445693-3	A	1877775-5
OLIVE DRAB	1445693-3	N	1877775-4
NICKEL	1445693-3	B	1877775-3
NICKEL	1445693-3	A	1877775-2
NICKEL	1445693-3	N	1877775-1
FINISH	QUADRAX CONTACT QTY=2	SHELL KEYING ARRANGEMENT	PART NUMBER

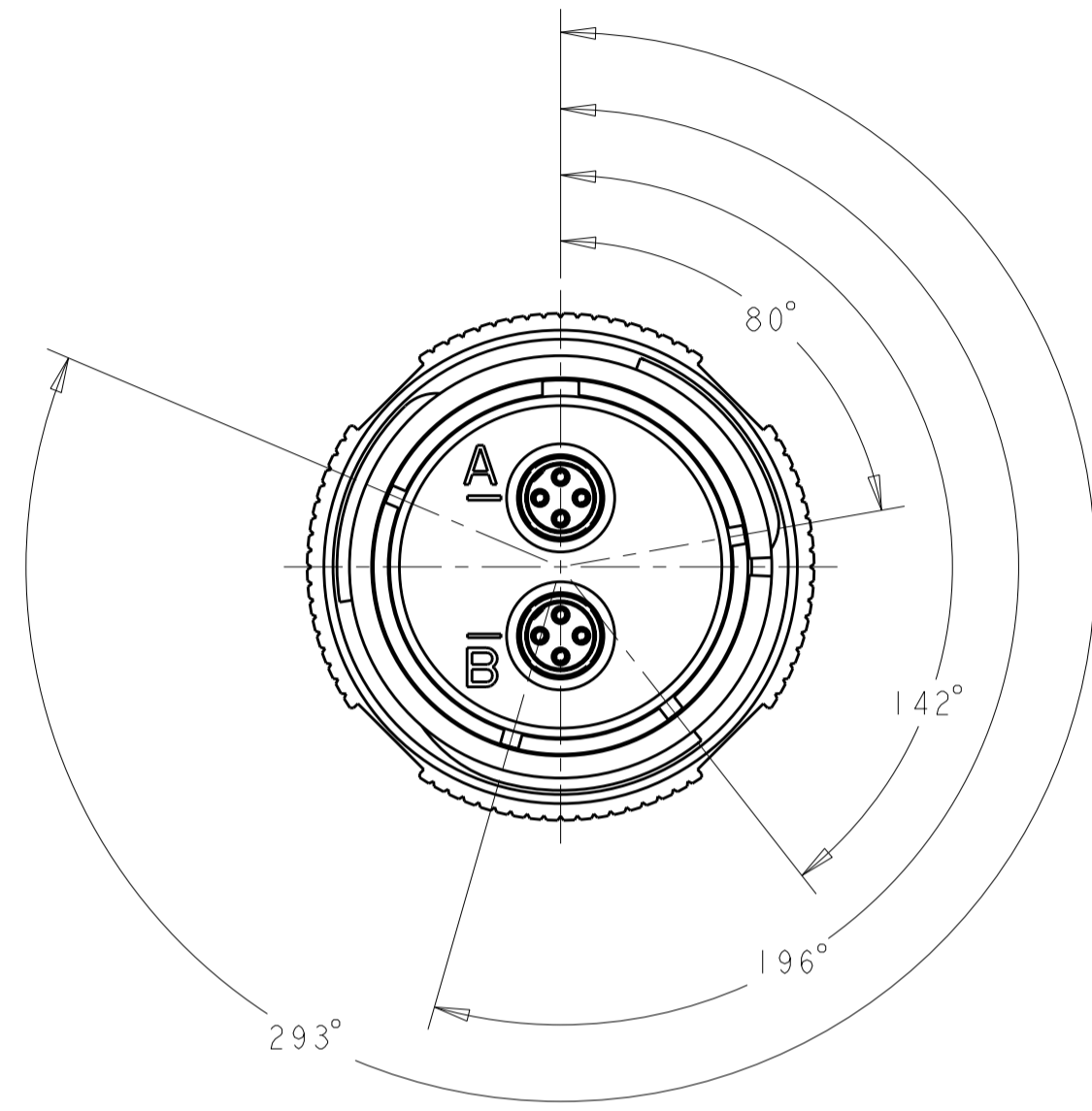
- THIS CONNECTOR KIT INCLUDES TE QUADRAX PIN ASSEMBLY; PART NUMBER AND QUANTITY PER TABLE.
- PART IS MARKED WITH TE PART NO. (SEE TABLE), TycoElectronics LOGO TE, CAGE CODE (00779) AND DATE CODE.
- OPERATING TEMPERATURE RANGE: -65°C TO +125°C (-85°F TO +257°F)
- THE CONNECTOR QUALIFICATION WAS COMPLETED PER TYCO ELECTRONICS 108-2199. THE QUADRAX CONTACTS ARE QUALIFIED PER TYCO ELECTRONICS 108-2131. THE REFERENCE TEST REPORTS ARE TYCO ELECTRONICS 501-660 FOR THE CONNECTOR AND 501-574 FOR THE CONTACTS WHICH ARE SAME AS ARINC 600-13, DRAFT 2 OF SUPPLEMENT 14 (AIR TRANSPORT AVIONICS EQUIPMENT INTERFACES).

THIS DRAWING IS A CONTROLLED DOCUMENT.

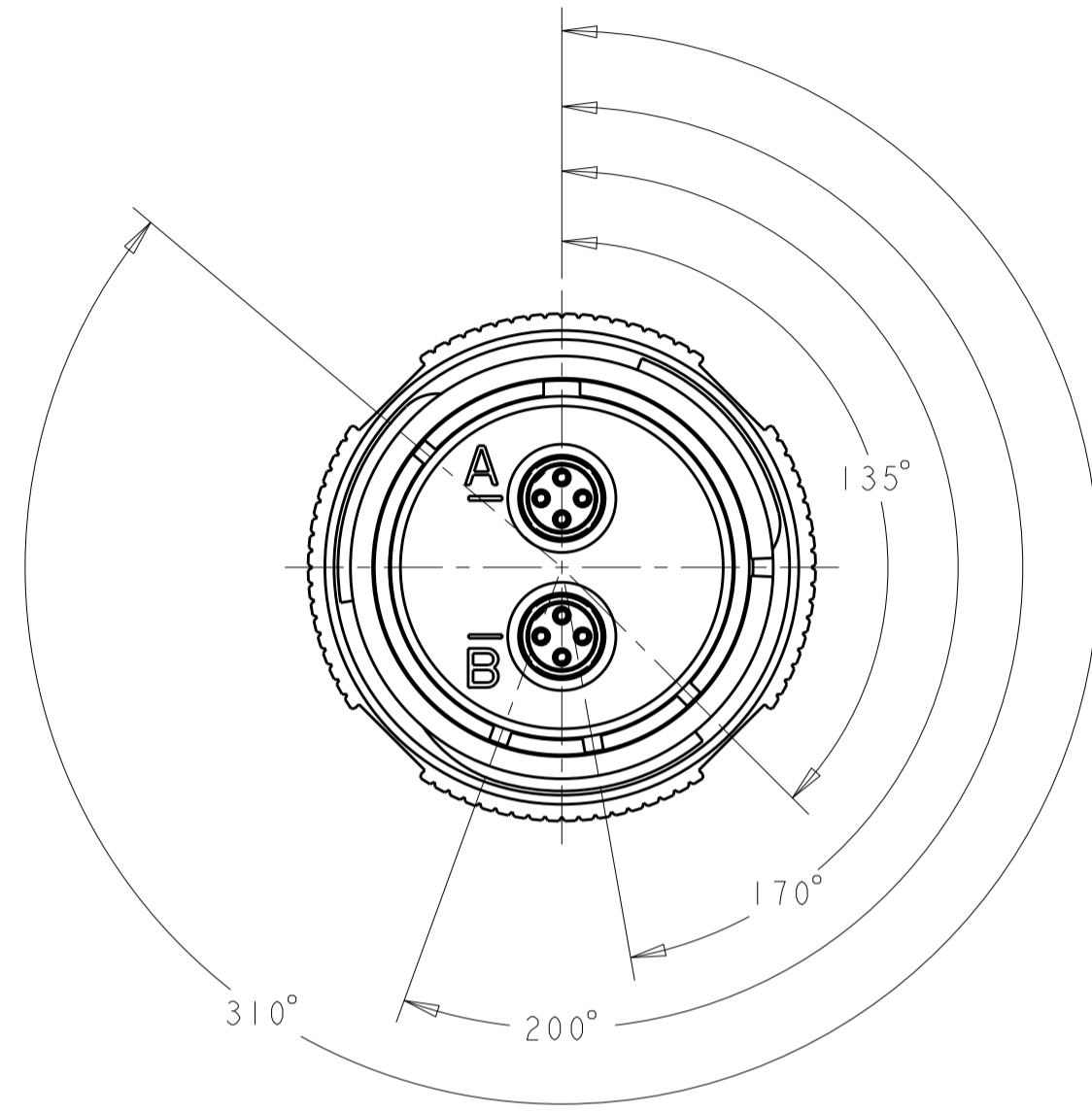
DIMENSIONS: INCHES	TOLERANCES UNLESS OTHERWISE SPECIFIED:	DWN R FLAIG 10FEB2006	TE Connectivity
	0 PLC ± 1 PLC ± 2 PLC ±.01 3 PLC ±.005 4 PLC ±.0020 ANGLES ±1° FINISH	CHK L OH 10FEB2006	
		APVD L OH 10FEB2006	
MATERIAL SEE CALLOUTS -	SEE CALLOUTS -	PRODUCT SPEC -	NAME ASSY, PLUG, SIZE 17, 202, M38999 STYLE, SERIES III
		APPLICATION SPEC -	SIZE A2 CAGE CODE 00779 DRAWING NO C-187775
		WEIGHT -	RESTRICTED TO -
		CUSTOMER DRAWING	SCALE 3:1 SHEET 1 OF 2 REV E

THIS DRAWING IS UNPUBLISHED. RELEASED FOR PUBLICATION 20  
 © COPYRIGHT 20 BY - ALL RIGHTS RESERVED.

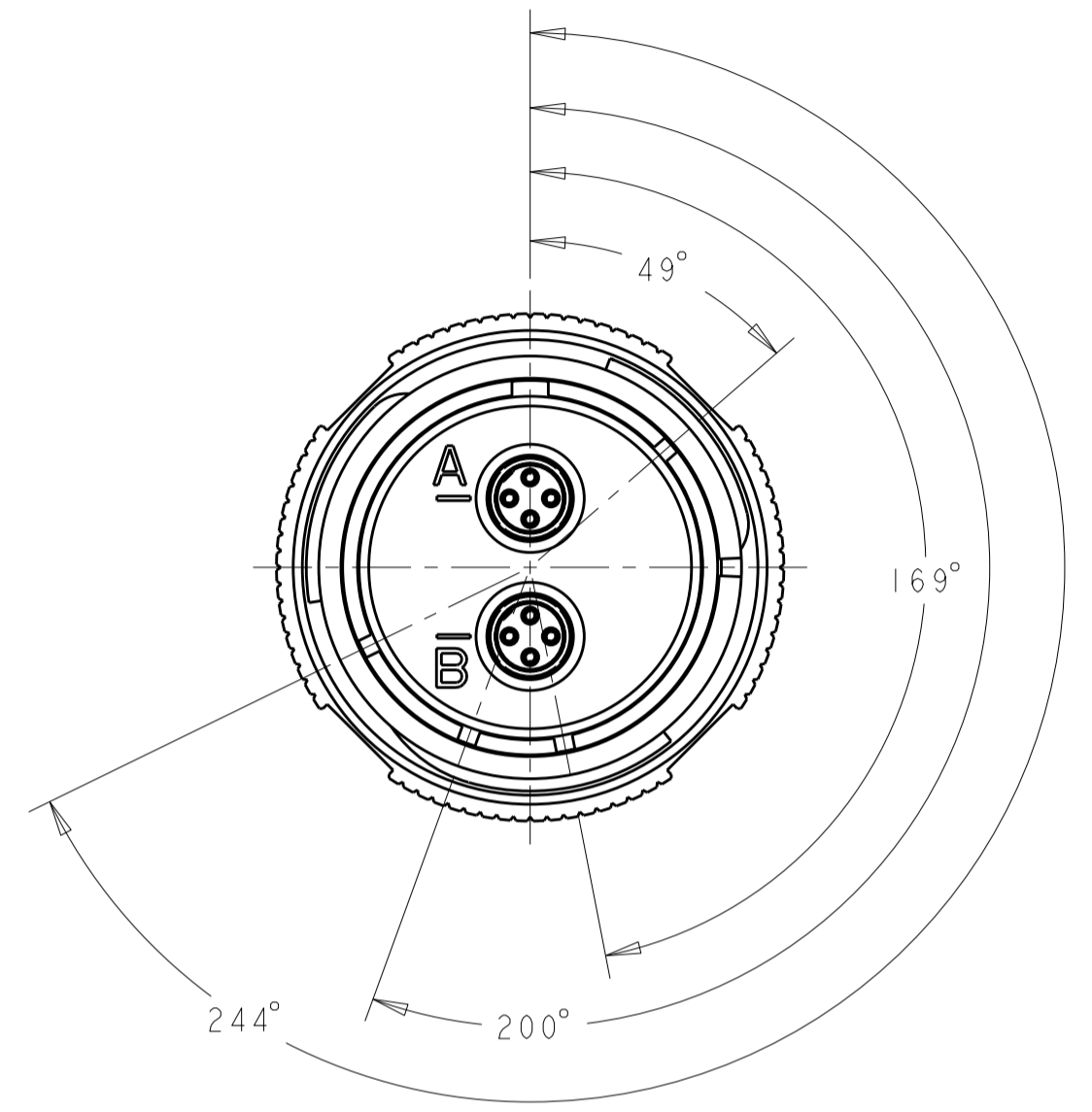
REVISIONS							
LOC	DIST	P	LTR	DESCRIPTION	DATE	DWN	APVD
DF	A5	-	-	SEE SHEET 1	-	-	-



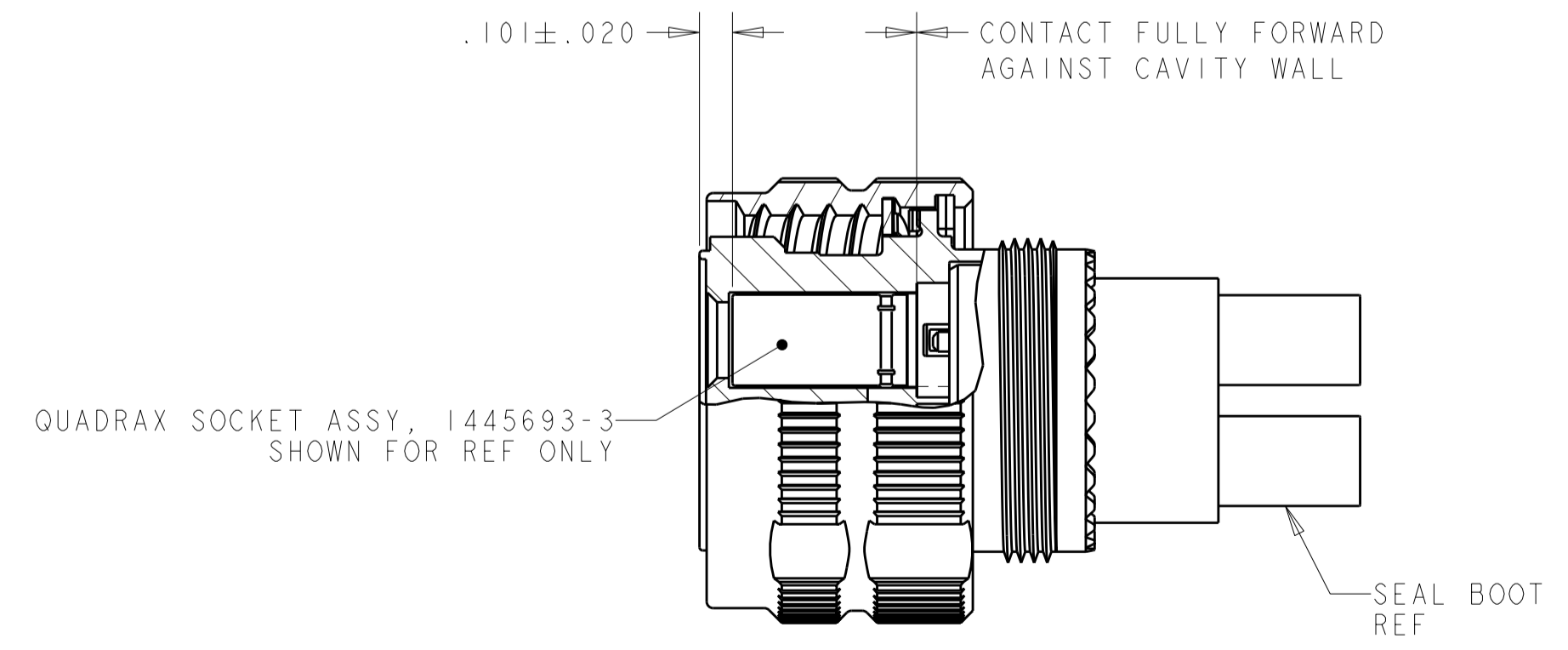
1811093-1  
 "N" KEY POLARIZATION  
 SCALE 2:1



1811093-2  
 "A" KEY POLARIZATION  
 SCALE 2:1



1811093-3  
 "B" KEY POLARIZATION  
 SCALE 2:1



SECTION X-X  
 SCALE 2:1

THIS DRAWING IS A CONTROLLED DOCUMENT.		DWN R FLAIG	10FEB2006	TE Connectivity	
DIMENSIONS: INCHES		CHK L OH	10FEB2006		
TOLERANCES UNLESS OTHERWISE SPECIFIED:		APVD L OH	10FEB2006	NAME ASSY, PLUG, SIZE 17, 202, M38999 STYLE, SERIES III	
0 PLC ± 1 PLC ± 2 PLC ±.01 3 PLC ±.005 4 PLC ±.0020 ANGLES ±1° FINISH		PRODUCT SPEC APPLICATION SPEC		SIZE CAGE CODE DRAWING NO A200779 C-187775	
MATERIAL		WEIGHT		RESTRICTED TO	
		CUSTOMER DRAWING		SCALE 3:1 SHEET 2 OF 2 REV E	