

THIS DRAWING IS UNPUBLISHED.

RELEASED FOR PUBLICATION

2013

© COPYRIGHT 2013 BY -

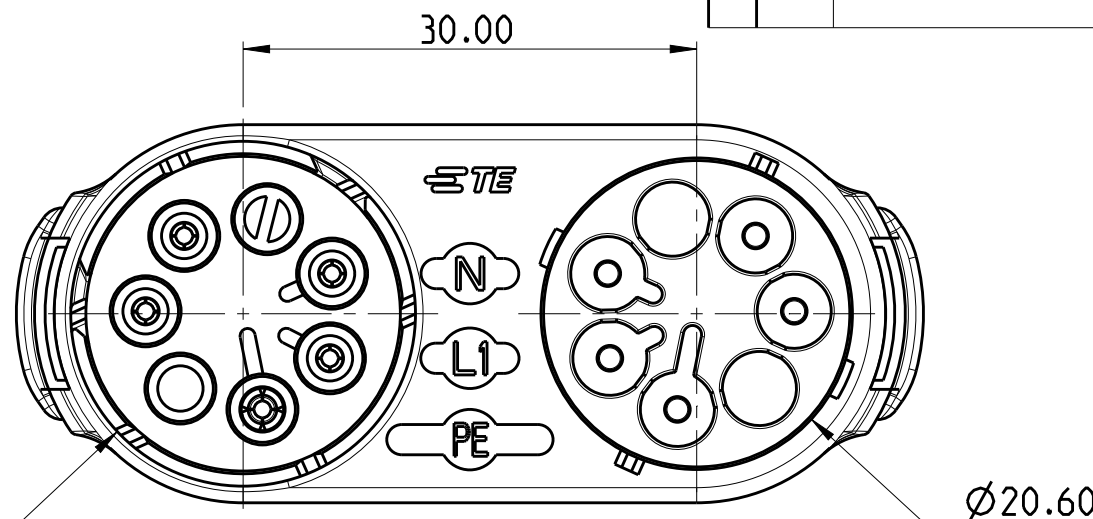
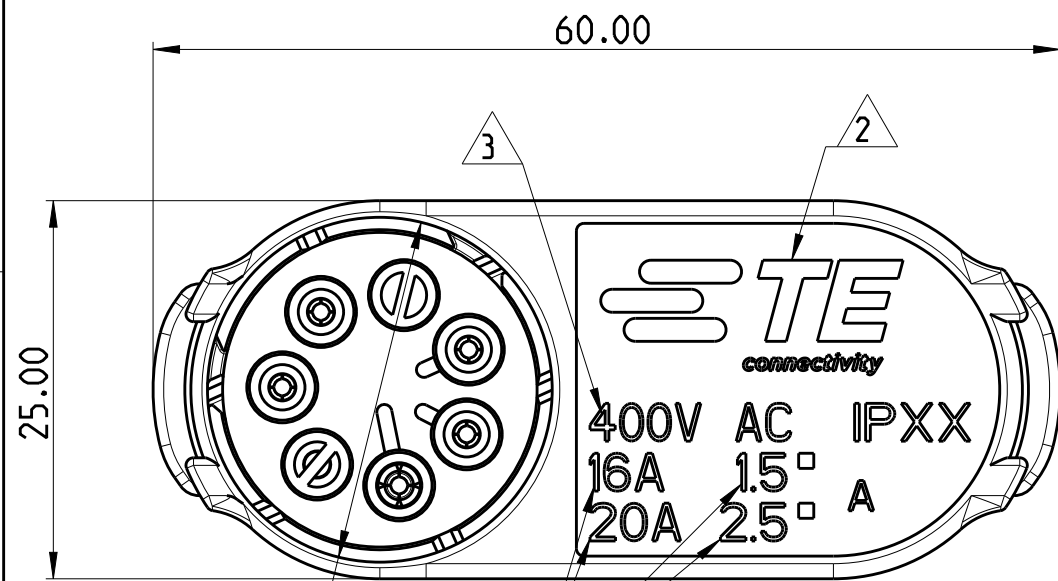
ALL RIGHTS RESERVED.

LOC -

DIST -

REVISIONS

P	LTR	DESCRIPTION	DATE	DWN	APVD
1		FIRST ISSUE	08MAY2013	KR	JC
A		PARTS RELEASED FOR PRODUCTION	19NOV2013	KR	JC
B		ECR-18-006945	06AUG2018	SR	MZ



Ø22.80

NOTES:

1) FOR ALL POLARISATION KEYS SEE TABLE ON SHEET 2 OF 2.

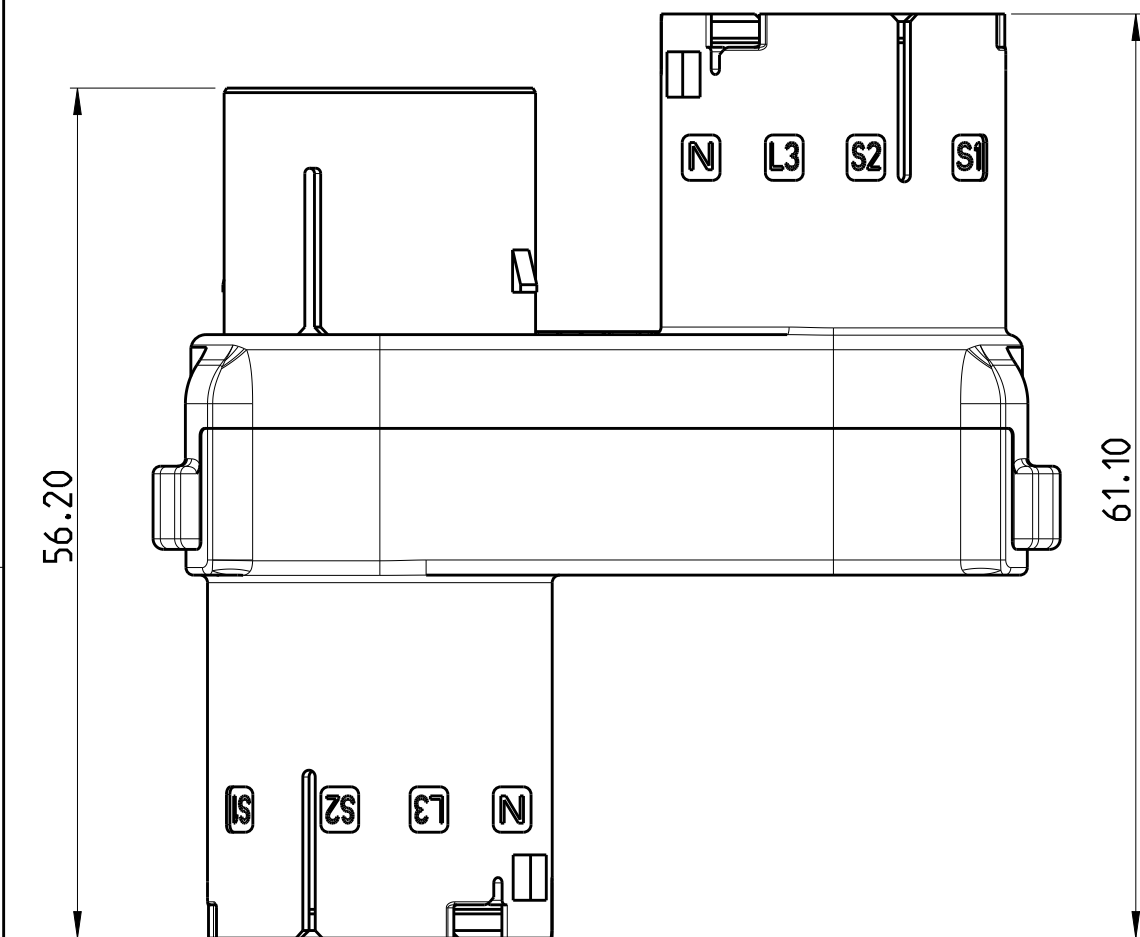
2) TE LOGO

3) RATED VOLTAGE

4) RATED CURRENT AND CABLE SIZE

5) PARTS UNDER APPROVAL ACCORDING TO IEC 61535. PARTS TO BE TESTED ACCORDING TO INTERNAL TE ENDURANCE TESTS PROCEDURE

COLOUR	POL. KEYING	DESCRIPTION	DRAWING REFERENCE	REV.
OBSOLETE	BLACK	E-E T-SPLITTER 5 POS CONN. NECTOR* M-LINE 5 POS	1-1879995-5	A
OBSOLETE	BLACK	D-D T-SPLITTER 5 POS CONN. NECTOR* M-LINE 5 POS	1-1879995-4	A
	BLACK	C-C T-SPLITTER 5 POS CONN. NECTOR* M-LINE 5 POS	1-1879995-3	A
	BLACK	B-B T-SPLITTER 5 POS CONN. NECTOR* M-LINE 5 POS	1-1879995-2	A
	BLACK	A-A T-SPLITTER 5 POS CONN. NECTOR* M-LINE 5 POS	1-1879995-1	A
OBSOLETE	NATURAL	E-E T-SPLITTER 5 POS CONN. NECTOR* M-LINE 5 POS	1879995-5	A
OBSOLETE	NATURAL	D-D T-SPLITTER 5 POS CONN. NECTOR* M-LINE 5 POS	1879995-4	A
	NATURAL	C-C T-SPLITTER 5 POS CONN. NECTOR* M-LINE 5 POS	1879995-3	A
	NATURAL	B-B T-SPLITTER 5 POS CONN. NECTOR* M-LINE 5 POS	1879995-2	A
	NATURAL	A-A T-SPLITTER 5 POS CONN. NECTOR* M-LINE 5 POS	1879995-1	A



THIS DRAWING IS A CONTROLLED DOCUMENT.

DWN 08MAY2013 K. RAGHAVENDRA

CHK 08MAY2013 M. ZUCCA

APVD 08MAY2013 J. CATCHPOLE

PRODUCT SPEC

APPLICATION SPEC

WEIGHT

Customer Drawing

TE Connectivity

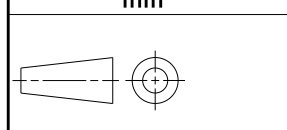
T-SPLITTER CONNECTOR NECTOR* M-LINE 5 POS

SIZE A3 CAGE CODE 00779 DRAWING NO C-1879995 RESTRICTED TO

SCALE 1:1 SHEET 1 OF 2 REV B

DIMENSIONS: mm

TOLERANCES UNLESS OTHERWISE SPECIFIED:



0 PLC	±0.3
1 PLC	±0.3
2 PLC	±0.3
3 PLC	±0.2
4 PLC	±0.2
ANGLES	±3°
FINISH	-

MATERIAL -

FINISH -

THIS DRAWING IS UNPUBLISHED.

RELEASED FOR PUBLICATION

2013

© COPYRIGHT 2013 BY -

ALL RIGHTS RESERVED.

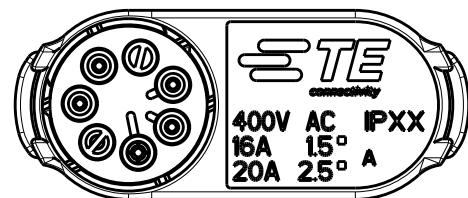
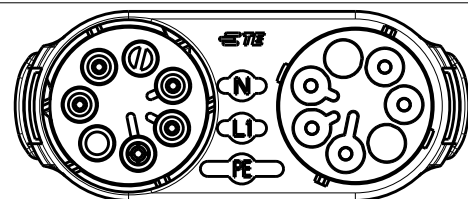
LOC - DIST -

REVISIONS

P	LTR	DESCRIPTION	DATE	DWN	APVD
-	-	SEE SHEET 1	-	-	-

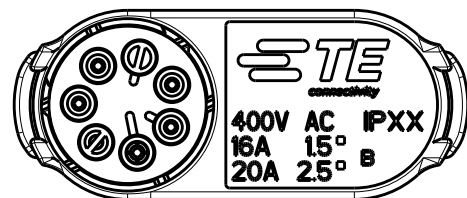
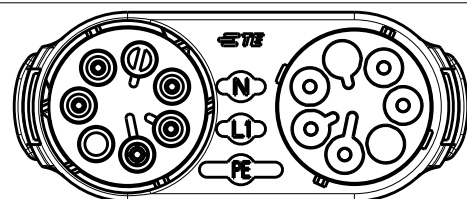
POLARISATION KEYS

TYPE "A-A"



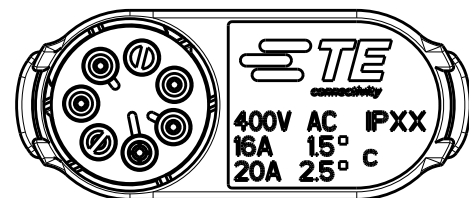
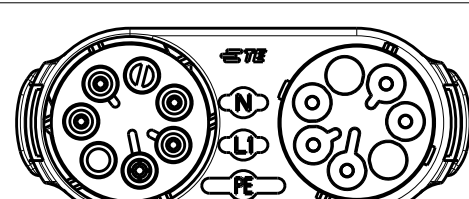
P/N 1879995-1 AND P/N 1-1879995-1

TYPE "B-B"



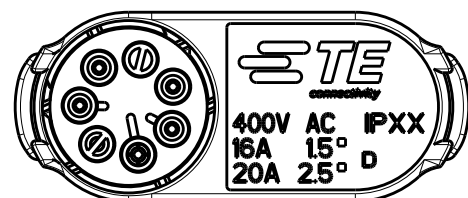
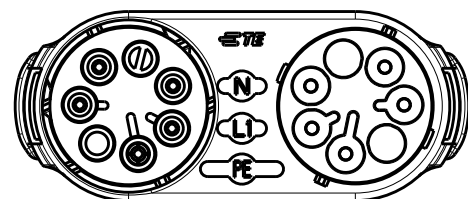
P/N 1879995-2 AND P/N 1-1879995-2

TYPE "C-C"



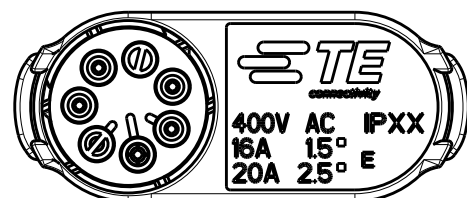
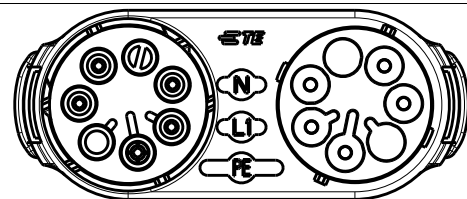
P/N 1879995-3 AND P/N 1-1879995-3

TYPE "D-D"



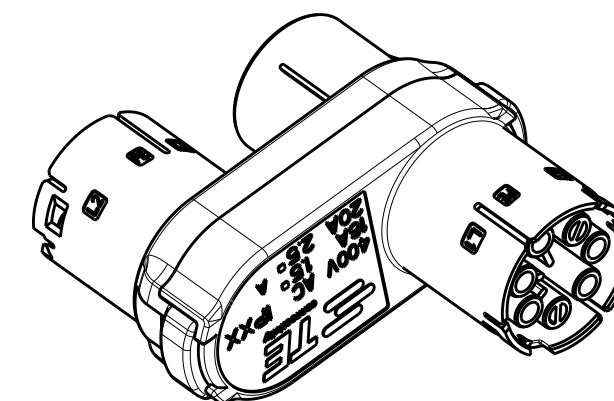
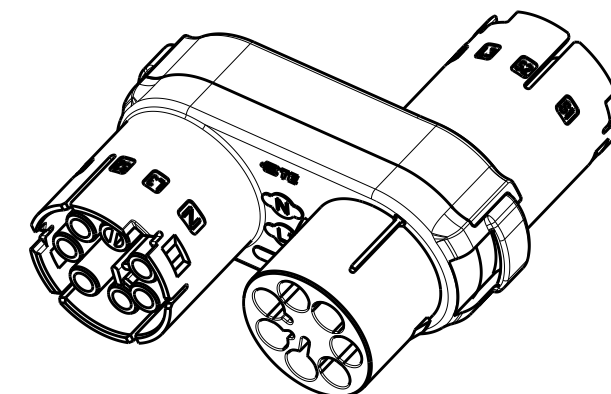
~~P/N 1879995-4 AND P/N 1-1879995-4~~

TYPE "E-E"

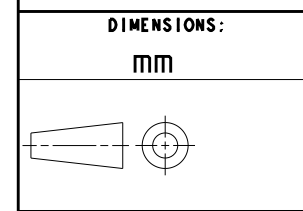


~~P/N 1879995-5 AND P/N 1-1879995-5~~

3D VIEWS.
FOR REFERENCE ONLY



THIS DRAWING IS A CONTROLLED DOCUMENT.



TOLERANCES UNLESS OTHERWISE SPECIFIED:

0 PLC	±
1 PLC	±0.3
2 PLC	±0.2
3 PLC	±
4 PLC	±0.3°
ANGLES	
FINISH	

MATERIAL -

DWN 08MAY2013
K. RAGHAVENDRA
CHK 08MAY2013
M. ZUCCA
APVD 08MAY2013
J. CATCHPOLE

PRODUCT SPEC -
APPLICATION SPEC -
WEIGHT -

Customer Drawing



NAME
T-SPLITTER CONNECTOR
NECTOR* M-LINE 5 POS

SIZE	CAGE CODE	DRAWING NO	RESTRICTED TO
A3	00779	C-1879995	-

SCALE 1:1 SHEET 2 OF 2 REV B