

THIS DRAWING IS UNPUBLISHED. RELEASED FOR PUBLICATION 2005  
 © COPYRIGHT 2005 BY TYCO ELECTRONICS CORPORATION. ALL RIGHTS RESERVED.

LOC	DIST	REVISIONS			
P	LTR	DESCRIPTION	DATE	DWN	APVD
ES	00				
	I	RELEASED PER PPR 009-05	07OCT2005	EB	JK
	A	REVISED PER ECO-06-010981	31MAY06	BM	JK
	AI	REVISED ECR-08-009797	15MAY08	A.Z.	S.Y.
	B	REVISED PER ECO-11-005032	11MAR2011	JY	CW

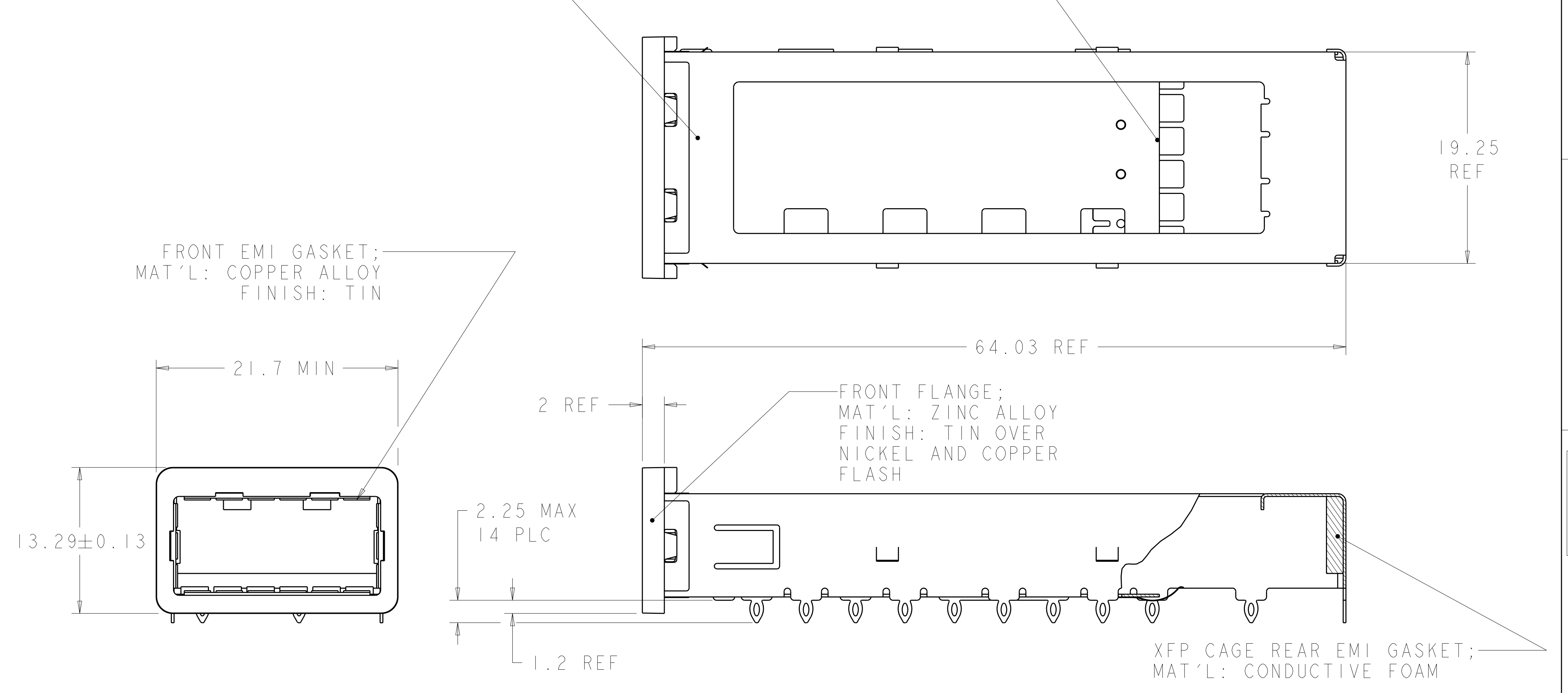
XFP CAGE  
 MAT'L: COPPER ALLOY  
 FINISH: TIN

INTERMEDIATE REAR EMI GASKET;  
 MAT'L: COPPER ALLOY  
 FINISH: TIN

FRONT EMI GASKET;  
 MAT'L: COPPER ALLOY  
 FINISH: TIN

FRONT FLANGE;  
 MAT'L: ZINC ALLOY  
 FINISH: TIN OVER  
 NICKEL AND COPPER  
 FLASH

XFP CAGE REAR EMI GASKET;  
 MAT'L: CONDUCTIVE FOAM



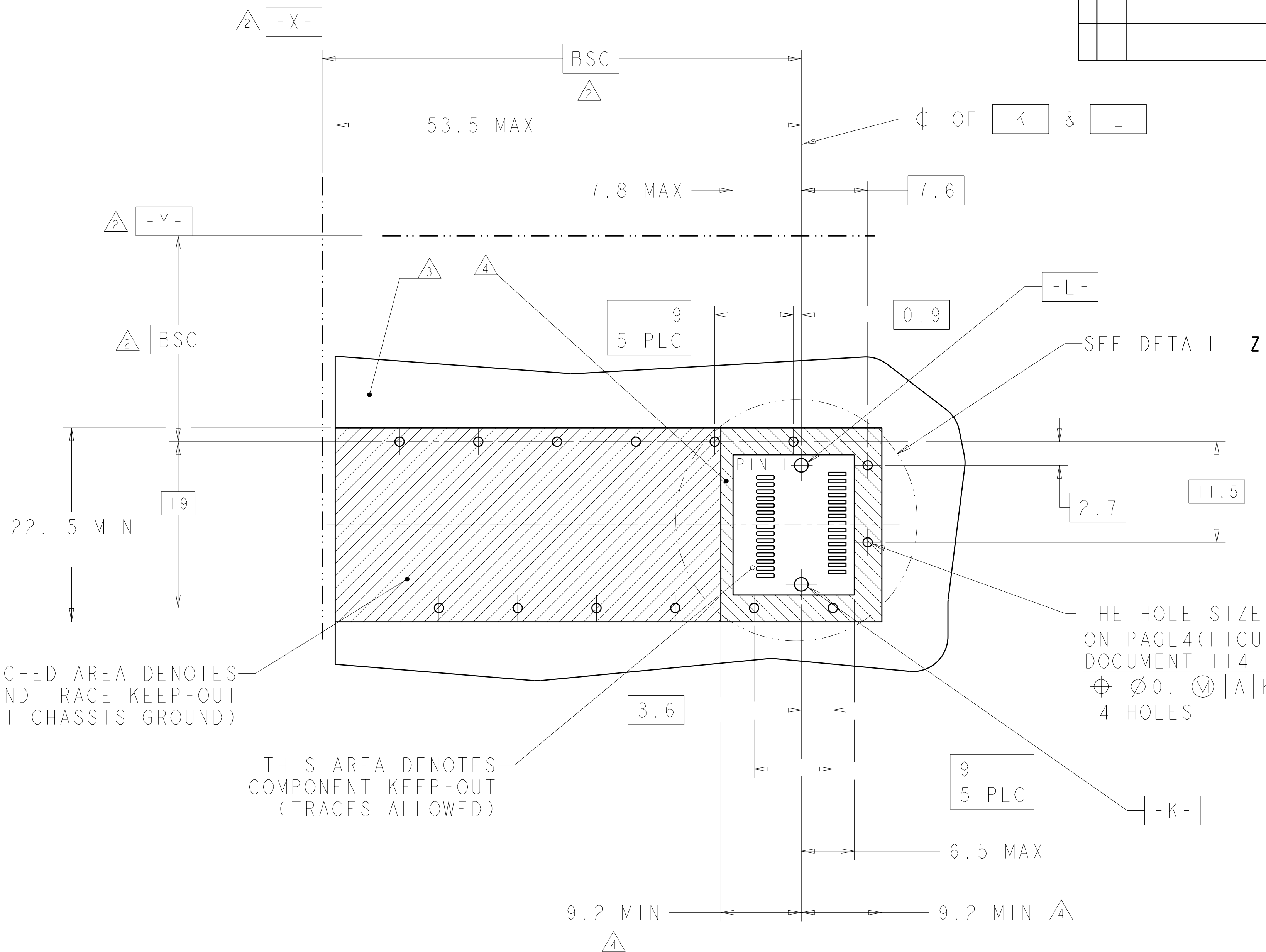
- ① MATES WITH XFP-MSA COMPLIANT TRANSCEIVERS.
- ② DATUM -X- AND -Y- ESTABLISHED BY CUSTOMER.
- ③ DATUM -A- IS TOP SURFACE OF HOST BOARD.
- ④ INDICATED SURFACES TO BE CONDUCTIVE AND CONNECTED TO CHASSIS GROUND.

1888101-1  
 PART NUMBER

THIS DRAWING IS A CONTROLLED DOCUMENT FOR TYCO ELECTRONICS CORPORATION. IT IS SUBJECT TO CHANGE AND THE CONTROLLING ENGINEERING ORGANIZATION SHOULD BE CONTACTED FOR THE LATEST REVISION.		DWN E. BRIANT 07OCT2005	Tyco Electronics Shanghai, China	
DIMENSIONS: mm		CHK J. KOPPENHEFFER 07OCT2005	NAME CAGE ASSEMBLY, 10 GIGABIT, XFP W/O GASKET	
TOLERANCES UNLESS OTHERWISE SPECIFIED: 0 PLC ± 1 PLC ±.1 2 PLC ±.01 3 PLC ±.001 4 PLC ±.0001 ANGLES ± FINISH		APVD M. WALMSLEY 07OCT2005	PRODUCT SPEC 108-2127	RESTRICTED TO -
MATERIAL -		APPLICATION SPEC 114-13096	SIZE A2	SCALE 4
		WEIGHT -	CAGE CODE 00779	SHEET 1 OF 3
		CUSTOMER DRAWING	DRAWING NO 1888101	REV B

THIS DRAWING IS UNPUBLISHED. RELEASED FOR PUBLICATION 2005  
 © COPYRIGHT 2005 BY TYCO ELECTRONICS CORPORATION. ALL RIGHTS RESERVED.

LOC	DIST	REVISIONS			
P	LTR	DESCRIPTION	DATE	DWN	APVD
ES	00	-	SEE SHEET 1	-	-



CROSS-HATCHED AREA DENOTES COMPONENT AND TRACE KEEP-OUT (EXCEPT CHASSIS GROUND)

THIS AREA DENOTES COMPONENT KEEP-OUT (TRACES ALLOWED)

THE HOLE SIZE IS RECOMMENDED ON PAGE 4 (FIGURE 3) OF TE DOCUMENT 114-13096  
 $\varnothing 0.1 \text{ (M)} | A | K \text{ (S)} | L \text{ (S)}$   
 14 HOLES

# DETAILED HOST BOARD MECHANICAL LAYOUT

<small>THIS DRAWING IS A CONTROLLED DOCUMENT FOR TYCO ELECTRONICS CORPORATION. IT IS SUBJECT TO CHANGE AND THE CONTROLLING ENGINEERING ORGANIZATION SHOULD BE CONTACTED FOR THE LATEST REVISION.</small>		DWN E BRIANT 07OCT2005 CHK J KOPPENHEFFER 07OCT2005 APVD M WALMSLEY 07OCT2005	Tyco Electronics Shanghai, China
DIMENSIONS: mm 	TOLERANCES UNLESS OTHERWISE SPECIFIED: 0 PLC ± 1 PLC ±.1 2 PLC ±.01 3 PLC ±.001 4 PLC ±.0001 ANGLES ± FINISH	PRODUCT SPEC 108-2127 APPLICATION SPEC 114-13096 WEIGHT -	NAME CAGE ASSEMBLY, 10 GIGABIT, XFP W/O GASKET SIZE A2 CAGE CODE 00779 DRAWING NO. C-1888101 RESTRICTED TO -
MATERIAL -		CUSTOMER DRAWING SCALE 4 SHEET 2 OF 3 REV B	