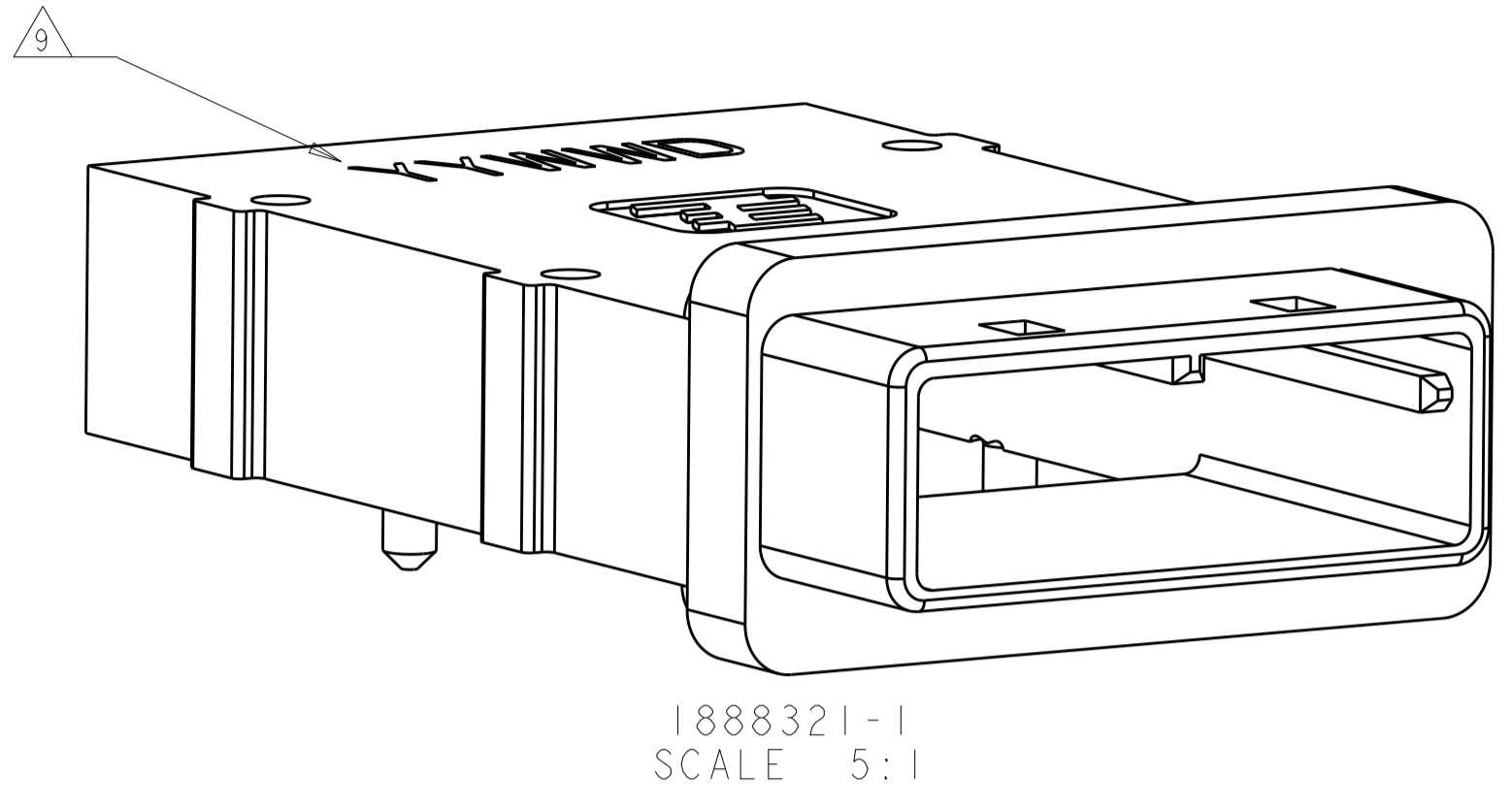
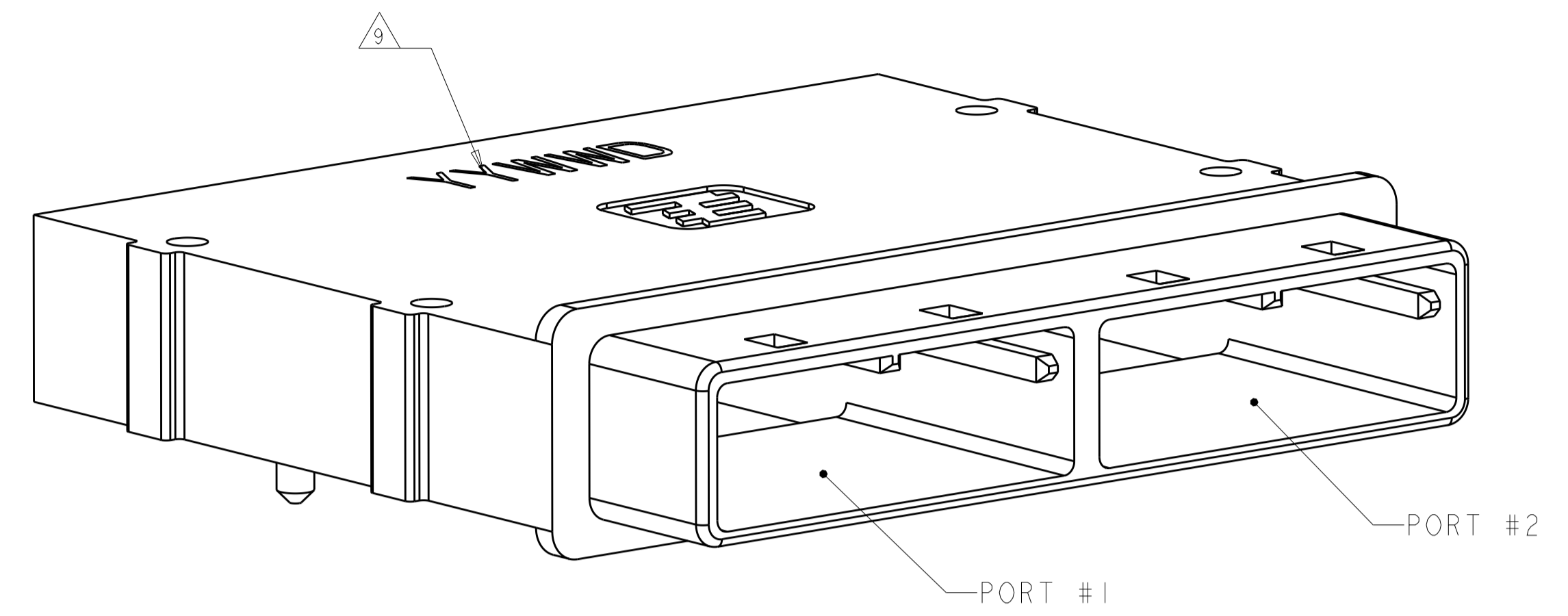


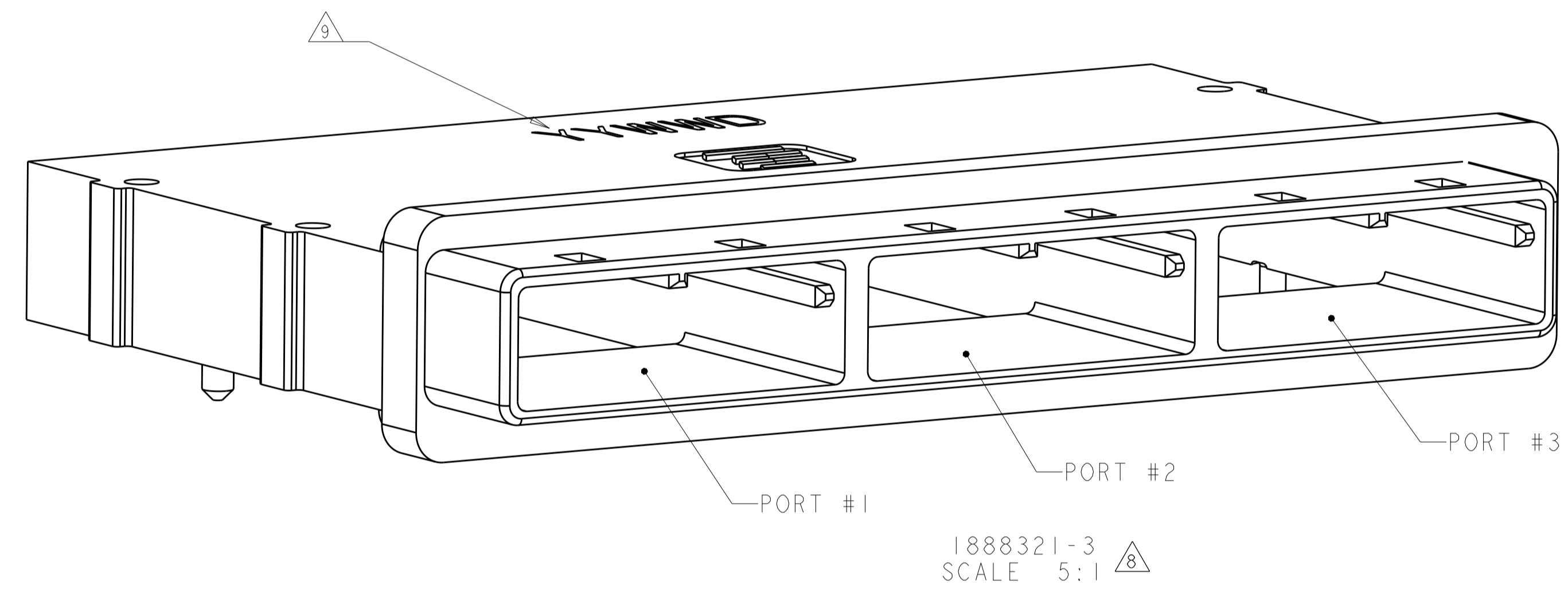
LOC		DIST		REVISIONS			
P	LTN	DESCRIPTION	DATE	DWN	APVD		
A2		REVISED PER ECO-11-004835	11MAR2011	RK	HMR		
B		REVISED PER ECO-12-014113	02AUG2012	JY	AC		
C		REVISED PER ECO-12-019905	04DEC2012	CJV	DLG		



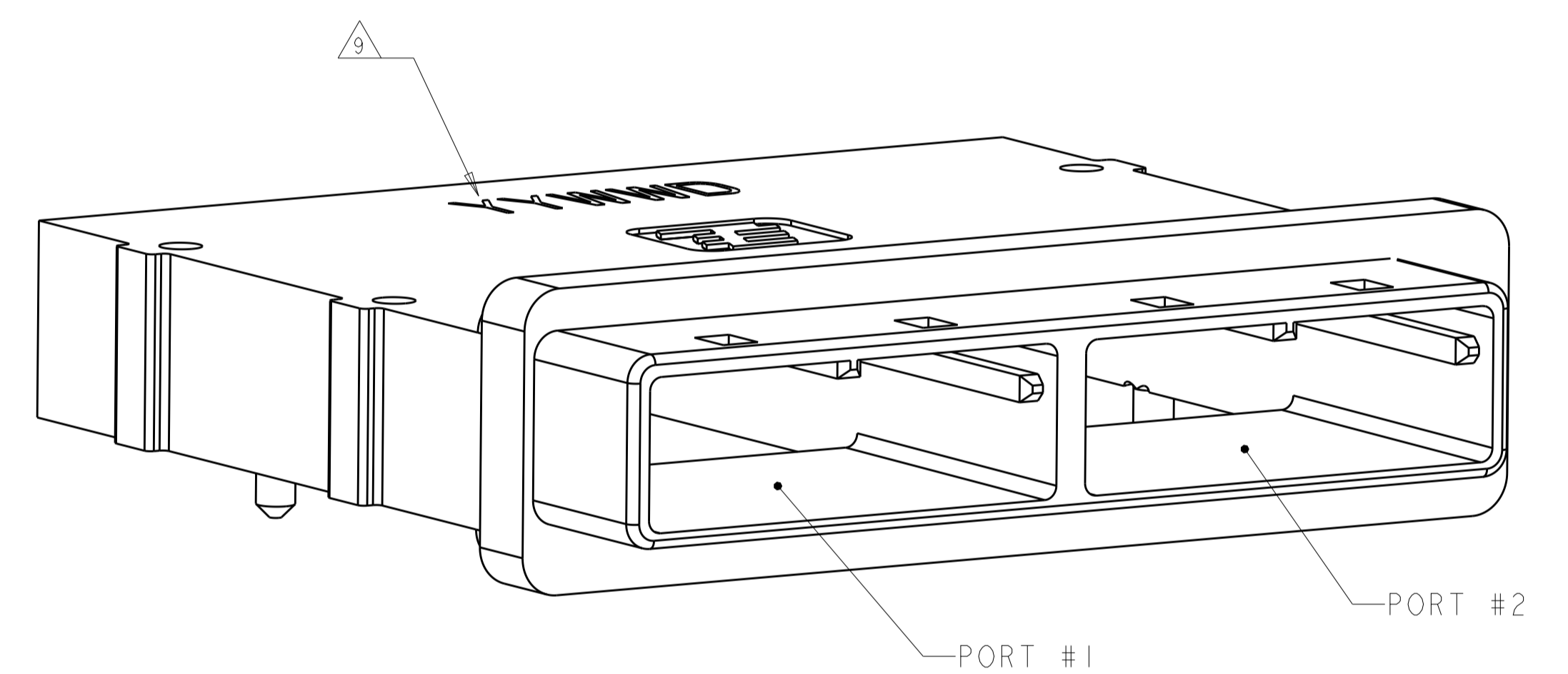
1888321-1
SCALE 5:1



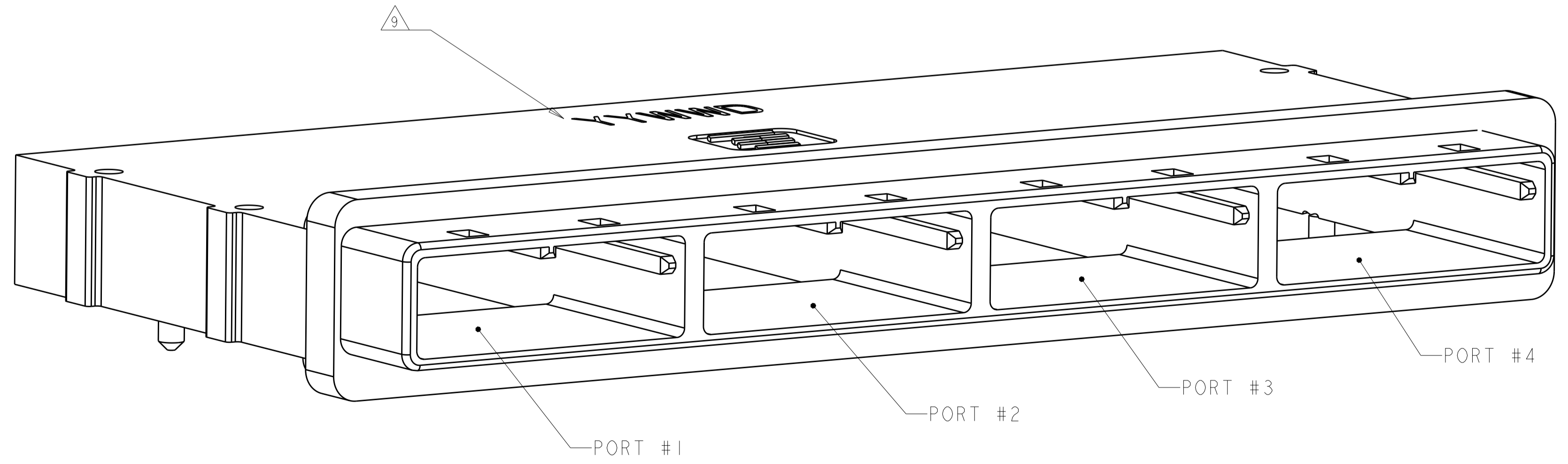
2-1888321-2
NO GASKET
SCALE 5:1



1888321-3
SCALE 5:1



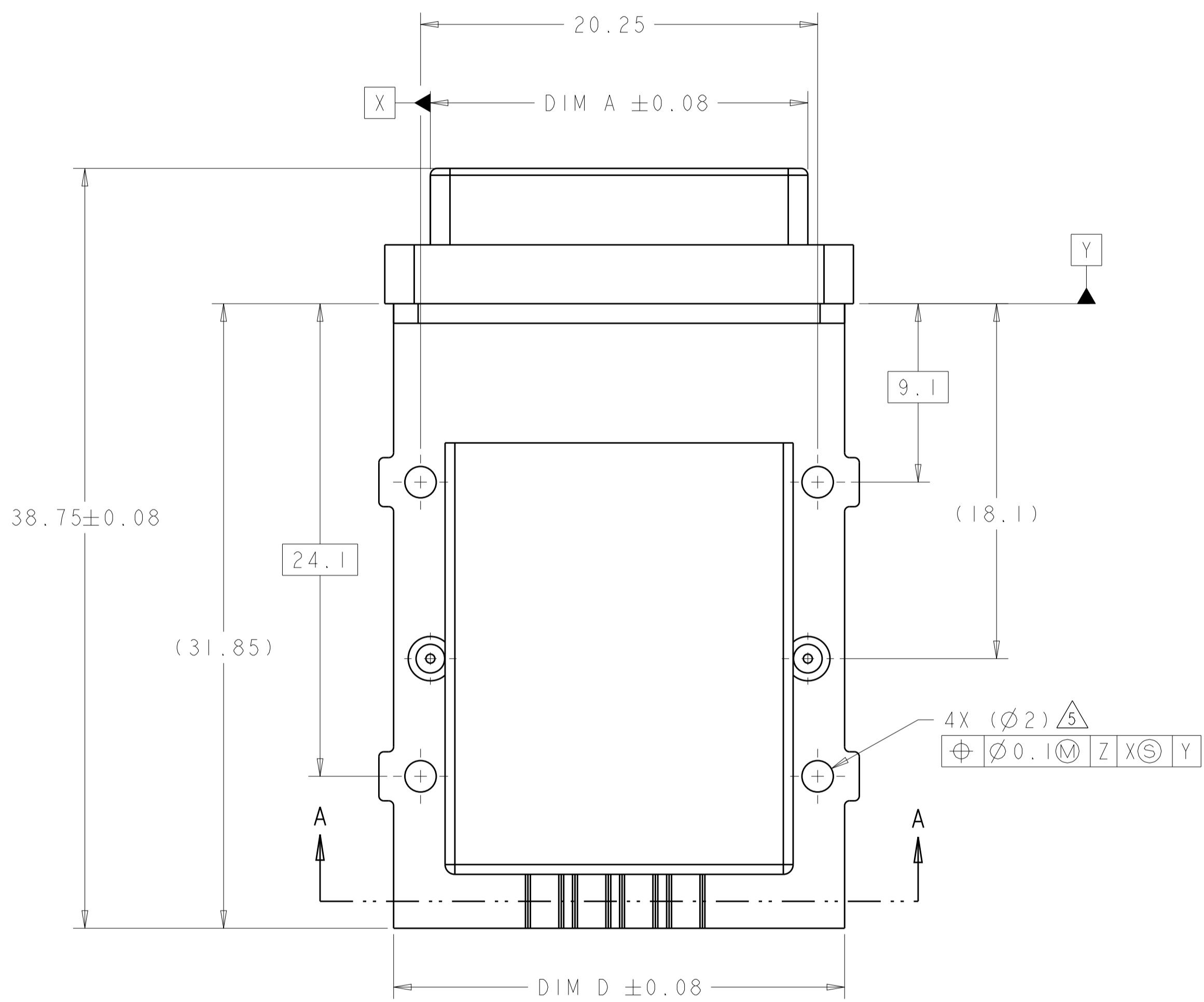
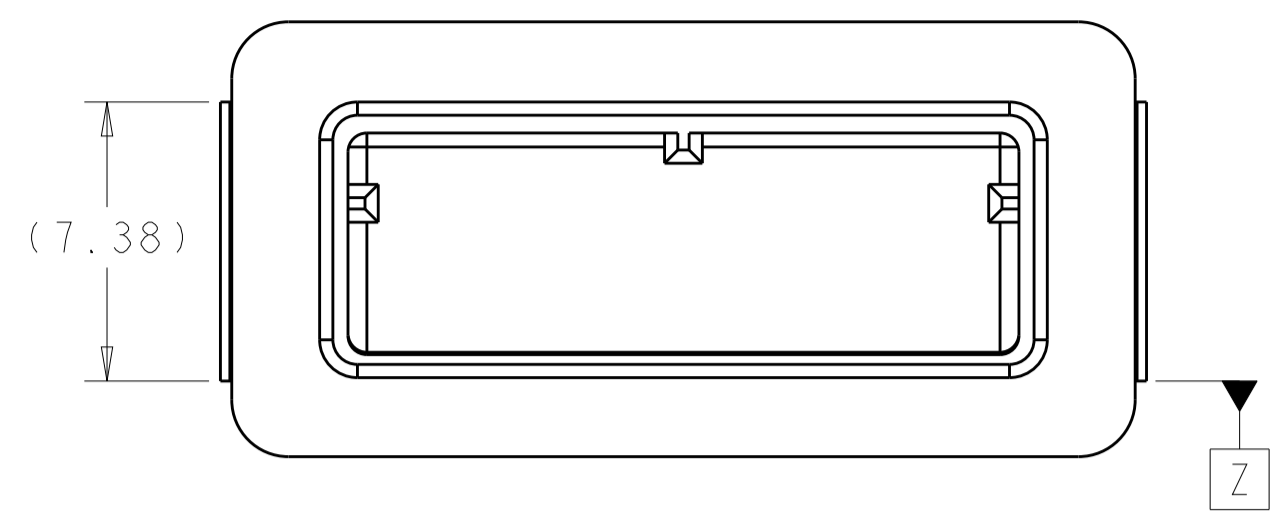
1888321-2
SCALE 5:1



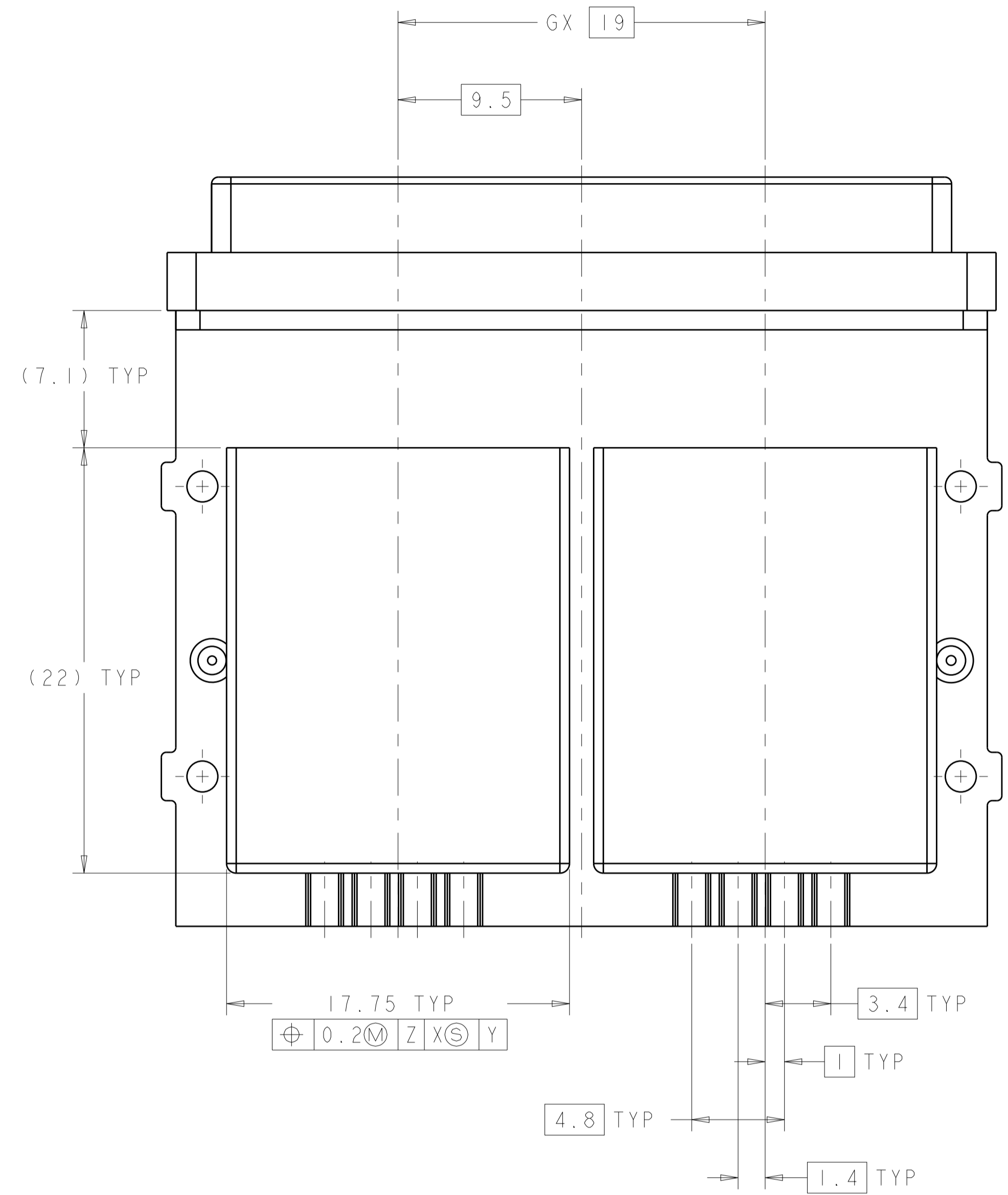
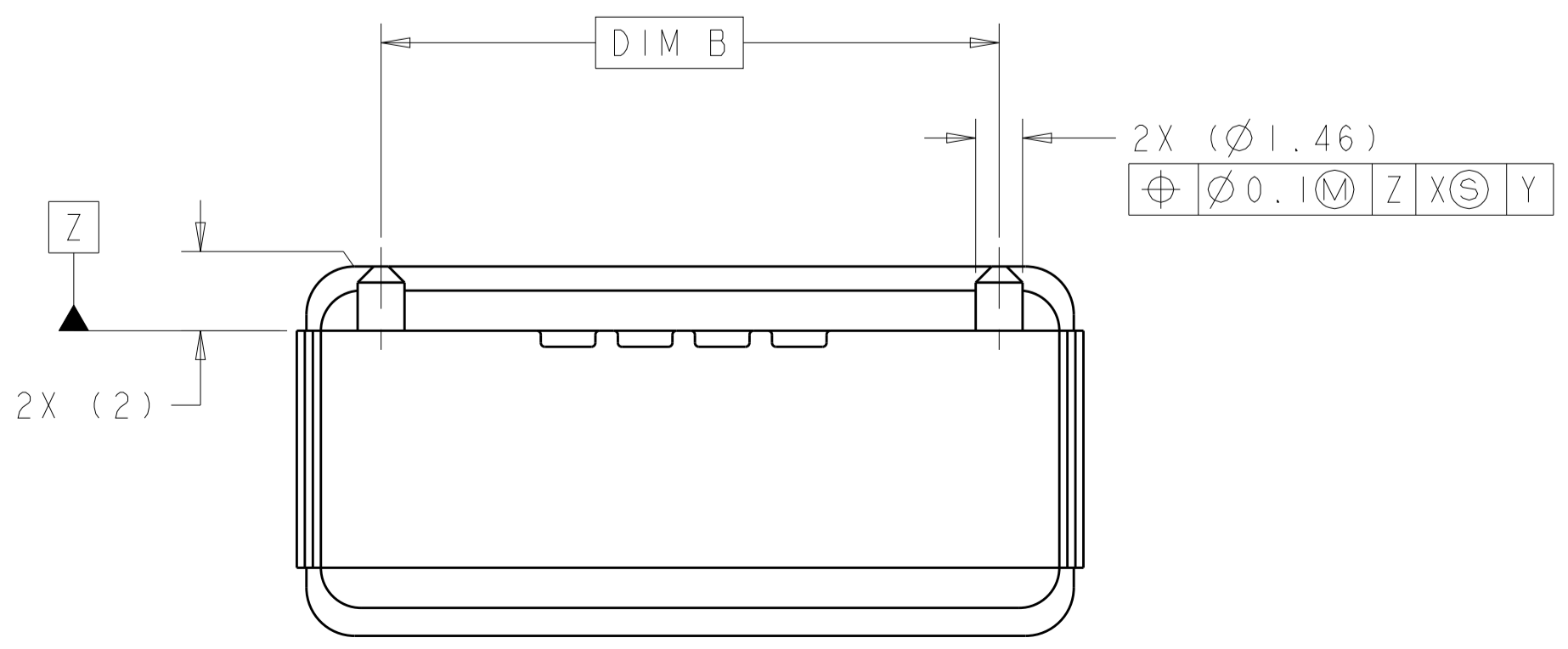
1888321-4
SCALE 5:1

THIS DRAWING IS A CONTROLLED DOCUMENT. DIMENSIONING AND TOLERANCING PER ASME Y14.5M-2009.		DWN J. POLIGNONE CHK D. GORENC APVD D. GORENC	01AUG07 01AUG07 01AUG07	TE Connectivity NAME EVERCLEAR Mini-SAS EXTERNAL RECEPTACLE SHELL ASSEMBLY
DIMENSIONS:	TOLERANCES UNLESS OTHERWISE SPECIFIED:	PRODUCT SPEC	APPLICATION SPEC	
mm	0 PLC ± 1 PLC ± 2 PLC ± 3 PLC ± 4 PLC ± ANGLES ±	WEIGHT	RESTRICTED TO	
MATERIAL SEE NOTES	FINISH SEE NOTES	Customer Drawing	SCALE 5:1 SHEET 1 OF 4 REV C	

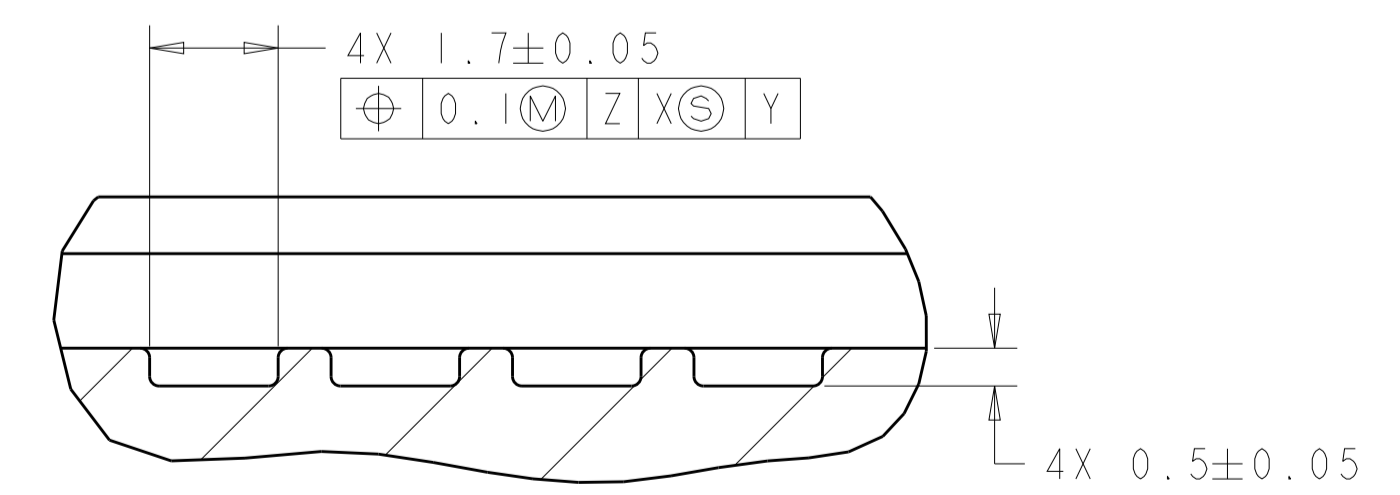
LOC	DIST	REVISIONS			
P	LTN	DESCRIPTION	DATE	DWN	APVD
-	-	SEE SHEET 1	-	-	-



RECOMMENDED SINGLE PORT LAYOUT
 SAME AS 1888321-1 EXCEPT AS SHOWN
 SCALE 5:1



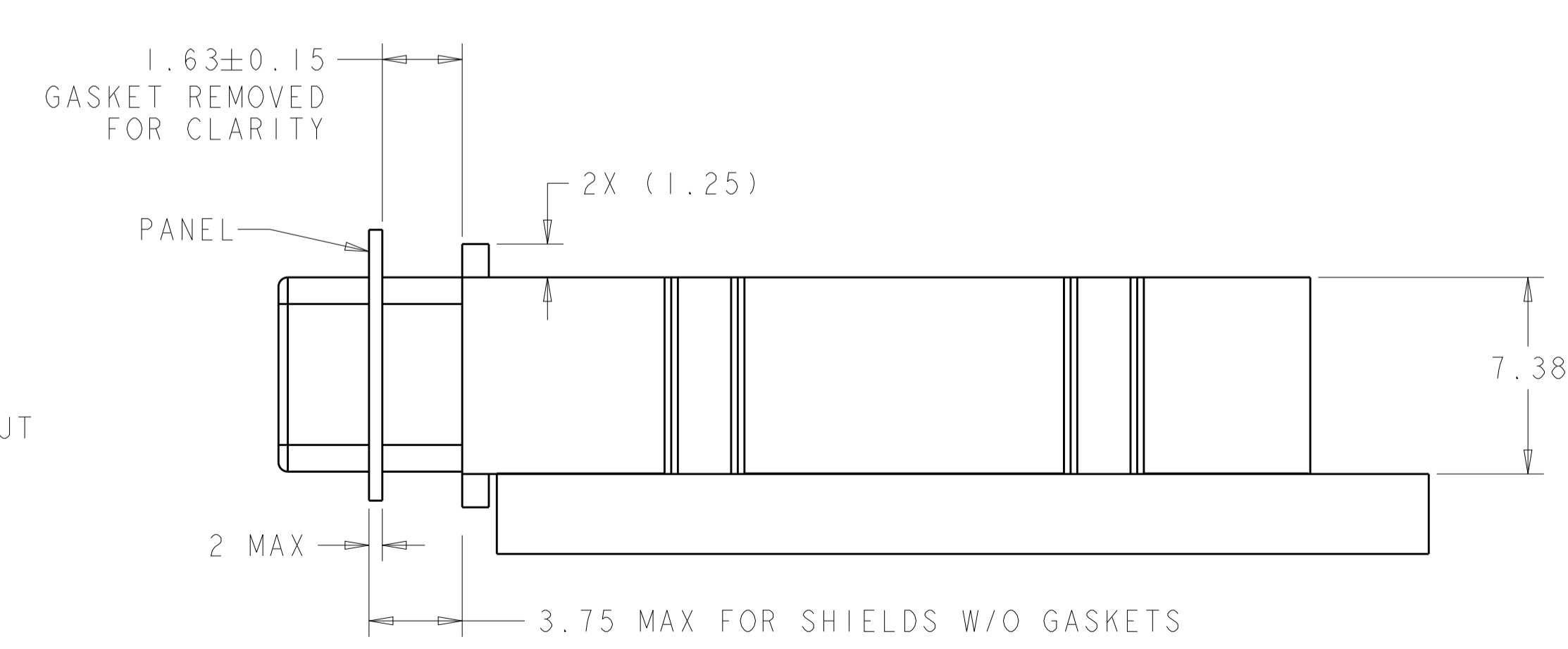
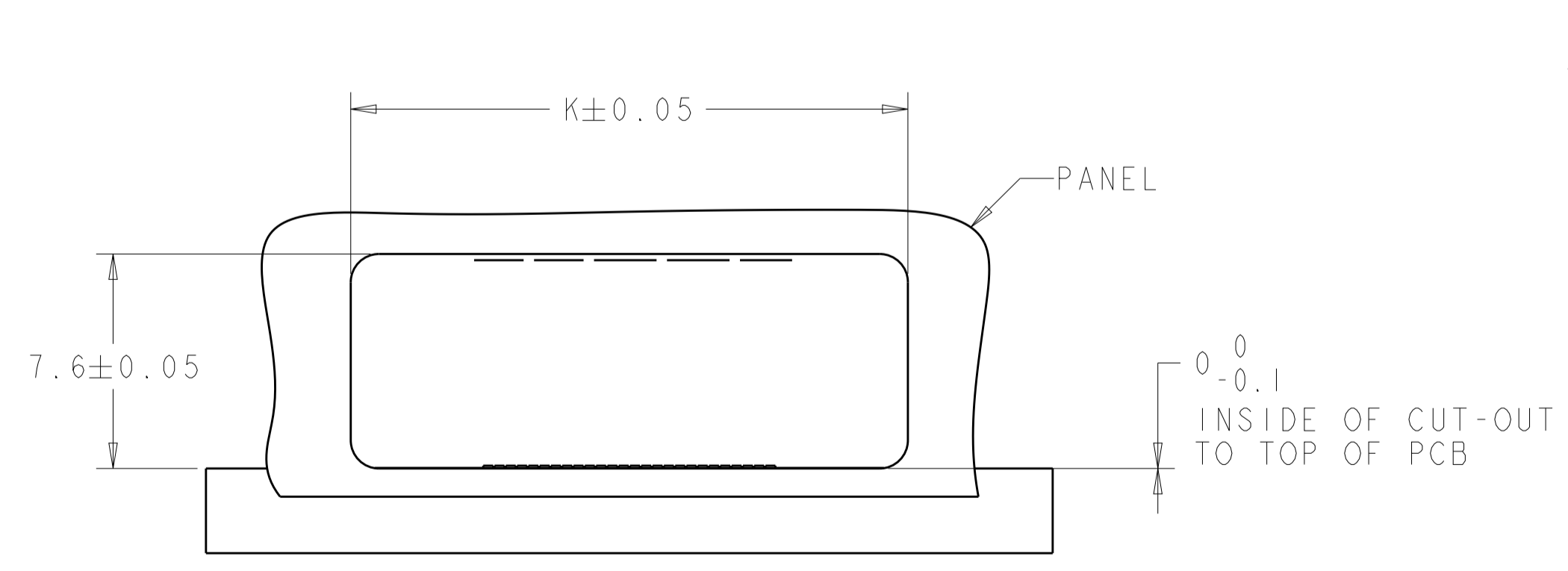
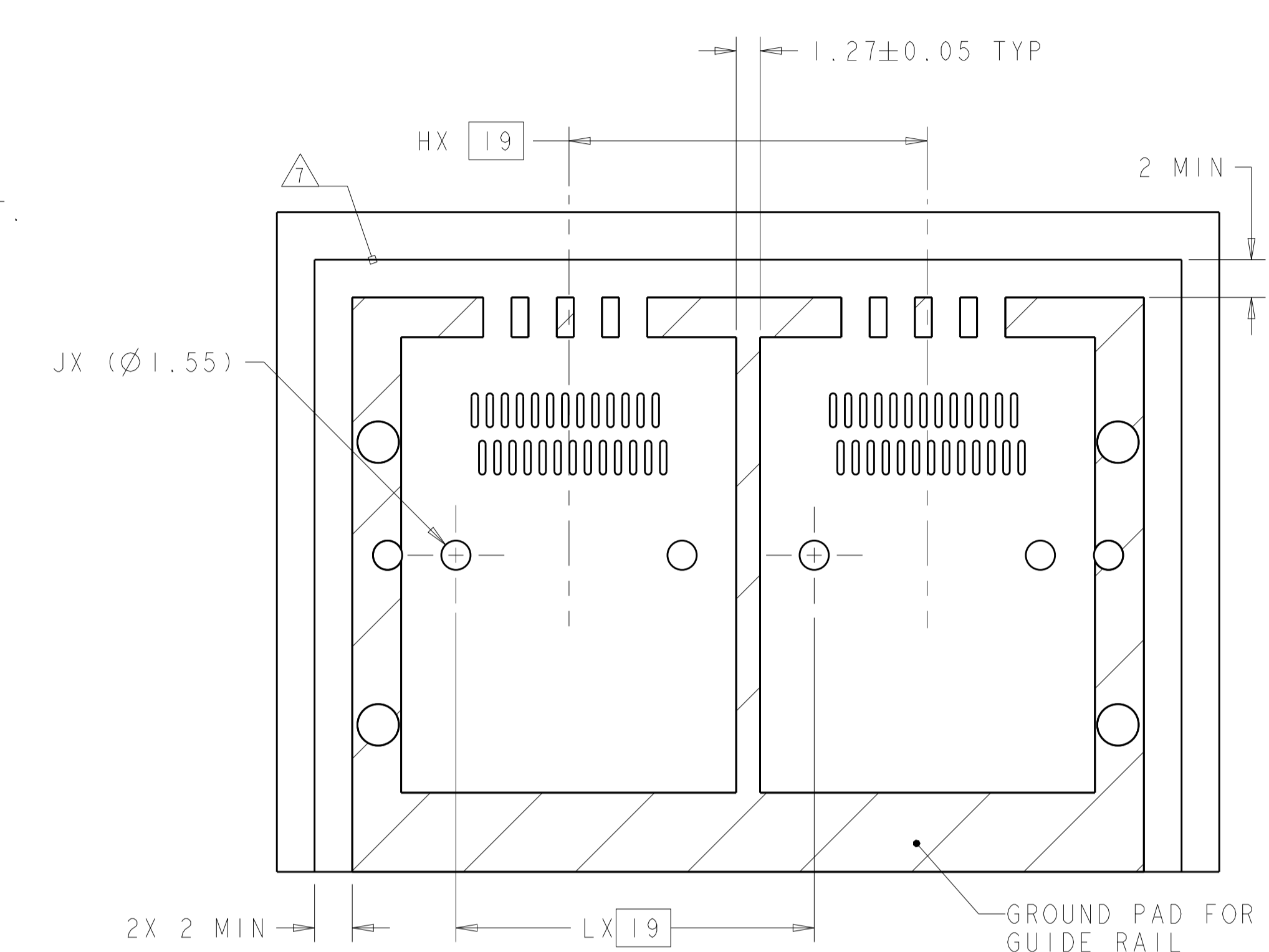
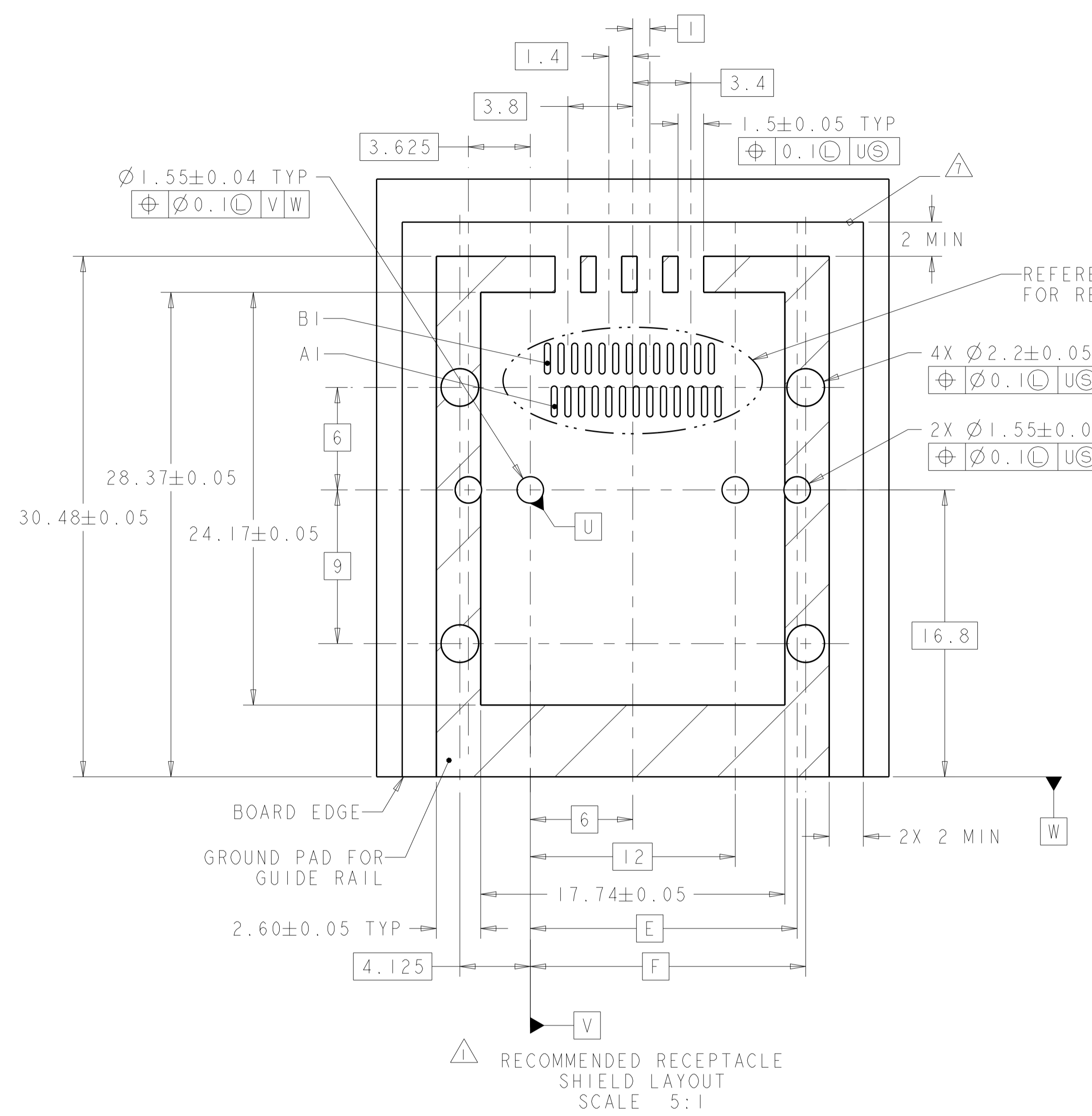
RECOMMENDED MULTI-PORT LAYOUT,
 SAME AS 1888321-1, EXCEPT AS SHOWN
 SCALE 5:1



SECTION A-A
 SCALE 10:1

THIS DRAWING IS A CONTROLLED DOCUMENT. DIMENSIONING AND TOLERANCING PER ASME Y14.5M-2009.		DWN: J. POLIGNONE 01AUG07 CHK: D. GORENC 01AUG07	TE Connectivity NAME: EVERCLEAR Mini-SAS EXTERNAL RECEPTACLE SHELL ASSEMBLY
DIMENSIONS: mm		APVD: D. GORENC 01AUG07	
TOLERANCES UNLESS OTHERWISE SPECIFIED:		PRODUCT SPEC	RESTRICTED TO
0 PLC ±	1 PLC ±	APPLICATION SPEC	SCALE: 5:1
2 PLC ±	3 PLC ±	WEIGHT	SHEET 2 OF 4
4 PLC ±	ANGLES ±	FINISH	REV C
MATERIAL: SEE NOTES	FINISH: SEE NOTES	Customer Drawing	

LOC		DIST		REVISONS			
GP	00	P	LTN	DESCRIPTION	DATE	DMN	APVD
-	-	-	-	SEE SHEET 1	-	-	-



THIS DRAWING IS A CONTROLLED DOCUMENT. DIMENSIONING AND TOLERANCING PER ASME Y14.5M-2009.		DMN: J. POLIGNONE 01AUG07	 TE Connectivity
DIMENSIONS: mm		CHK: D. GORENC 01AUG07	
TOLERANCES UNLESS OTHERWISE SPECIFIED:		APVD: D. GORENC 01AUG07	NAME: EVERCLEAR Mini-SAS EXTERNAL RECEPTACLE SHELL ASSEMBLY
0 PLC	±	PRODUCT SPEC	SIZE: CAGE CODE DRAWING NO. RESTRICTED TO
1 PLC	±	APPLICATION SPEC	A100779C=1888321
2 PLC	±	WEIGHT	SCALE: 3:1 SHEET 3 OF 4 REV C
3 PLC	±	MATERIAL: SEE NOTES	
4 PLC	±	FINISH: SEE NOTES	
ANGLES	±	Customer Drawing	