

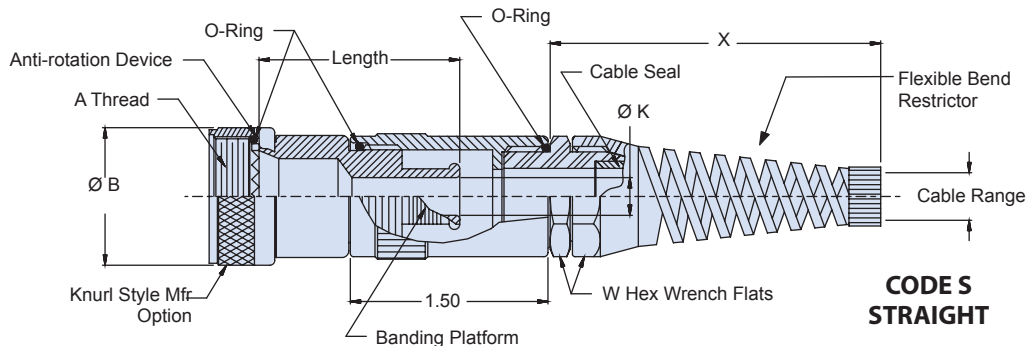
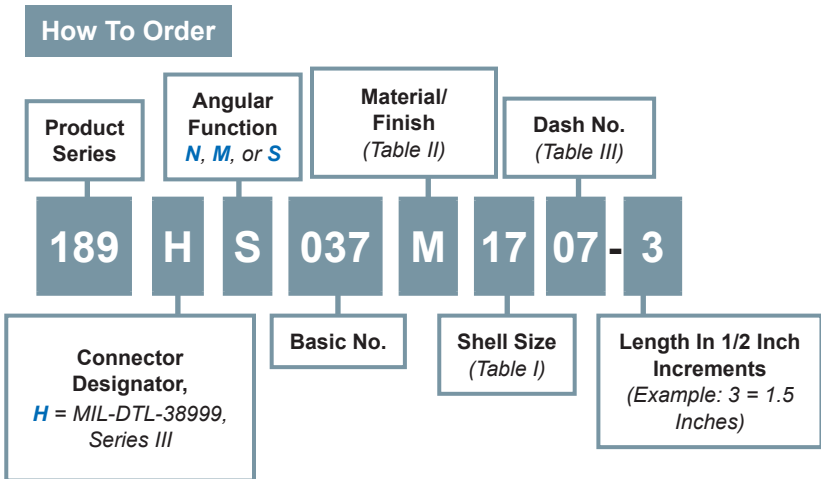


189-037
Environmental Backshell with Banding Strain Relief
for MIL-DTL-38999 Series III Fiber Optic Connectors



B

MIL-DTL-38999 Series III backshell with strain relief and flexible bend restrictor



Material and Finish

Adapter, Coupling Nut: See Table II
 Strain Relief Components: Nylon 6/6 (Flame-resistant/zero Halogen)
 Anti-Rotation Device: Torlon 42031-Natural
 O-Rings: Fluorosilicone

Notes

Glenair 600 Series Backshell assembly tools are recommended for assembly and installation.
 Standard minimum length: 1.5 inches, for shorter length consult factory.
 MIL-I-23053/4 & /5 Shrink Sleeving to be packaged loose in a plastic bag.
 MIL-I-23053/4 Shrink Sleeving to be heat shrunk over rear of Adapter before MIL-I-23053/5 Shrink Sleeving.
 For assembly instruction see GAP-065

189-037

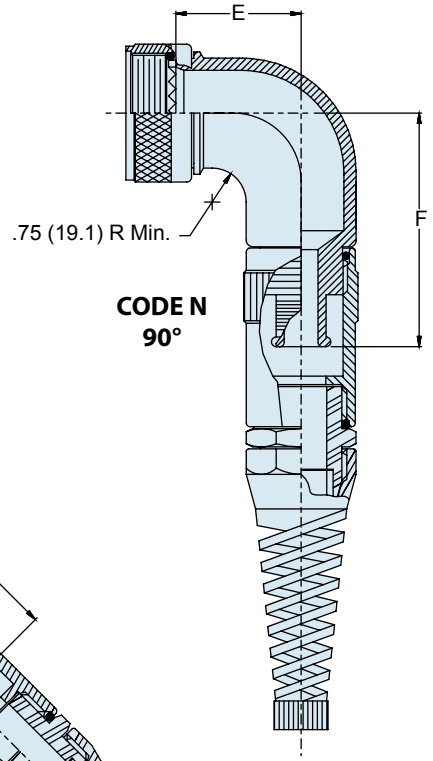
Environmental Backshell with Banding Strain Relief
for MIL-DTL-38999 Series III Fiber Optic Connectors



MIL-DTL-38999
Series III Type

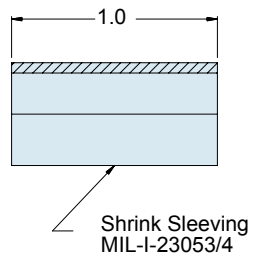
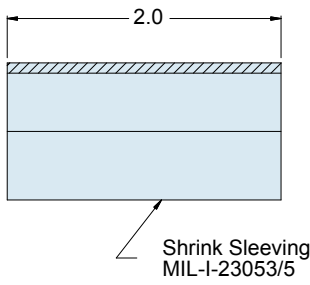
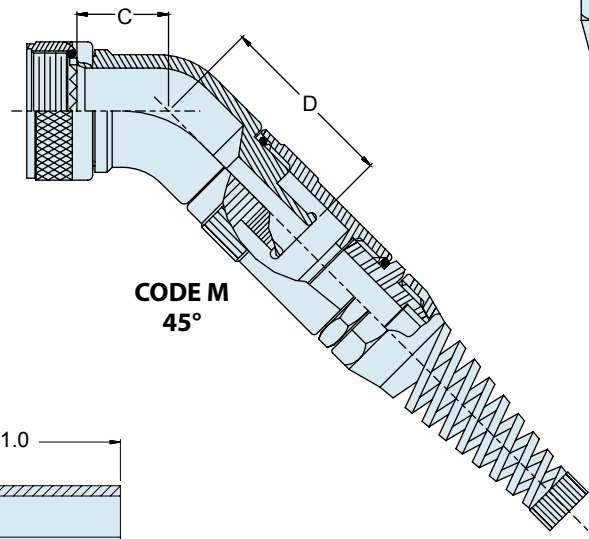
B

| Shell Size | A Thread Iso Metric | ØB Max | C Max | D Max | E Max | F Max |
|------------|---------------------|-------------|--------------|--------------|--------------|--------------|
| 11 | M15 X 1 - 6H | 1.06 (26.9) | .861 (21.9) | 1.111 (28.2) | 1.563 (39.7) | 1.875 (47.6) |
| 13 | M18 X 1 - 6H | 1.17 (29.7) | .911 (23.1) | 1.161 (29.5) | 1.938 (49.2) | 2.250 (57.2) |
| 15 | M22 X 1 - 6H | 1.29 (32.8) | .965 (24.5) | 1.215 (30.9) | 1.938 (49.2) | 2.250 (57.2) |
| 17 | M25 X 1 - 6H | 1.42 (36.1) | 1.014 (25.8) | 1.264 (32.1) | 2.063 (52.4) | 2.375 (60.3) |
| 19 | M28 X 1 - 6H | 1.54 (39.1) | 1.064 (27.0) | 1.314 (33.4) | 2.063 (52.4) | 2.375 (60.3) |
| 21 | M31X 1 - 6H | 1.67 (42.4) | 1.118 (28.4) | 1.368 (34.7) | 2.563 (65.1) | 2.875 (73.0) |
| 23 | M34 X 1 - 6H | 2.01 (51.1) | 1.172 (29.8) | 1.422 (36.1) | 2.313 (58.8) | 2.688 (68.3) |
| 25 | M37 X 1 - 6H | 2.12 (53.8) | 1.221 (31.0) | 1.471 (37.4) | 2.250 (57.2) | 2.563 (65.1) |



| Code | Material | Finish Description |
|------|----------------|--|
| M | Aluminum Alloy | Electroless Nickel |
| NF | | Cadmium Plate, Olive Drab, Over Nickel |

Refer to Appendix for material/finish details



| Dash No. | Cable Dia Range | Ø K ±005 | W Hex | X | MIL-I-23053 Shrink Sleeve | MIL-I-23053 Shrink Sleeve |
|----------|-----------------|-------------|-------------|--------------|---------------------------|---------------------------|
| 05 | .200/.285 | .312 (8.0) | .750 (19.1) | 2.32 (58.9) | /4-203-0 | /5-107-0 |
| 07 | .285/.390 | .438 (11.1) | .870 (22.1) | 2.80 (71.1) | /4-204-0 | /5-108-0 |
| 09 | .390/.550 | .562 (14.3) | 1.06 (26.9) | 3.66 (93.0) | /4-204-0 | /5-109-0 |
| 11 | .550/.670 | .688 (17.5) | 1.30 (33.0) | 4.37 (111.0) | /4-205-0 | /5-109-0 |