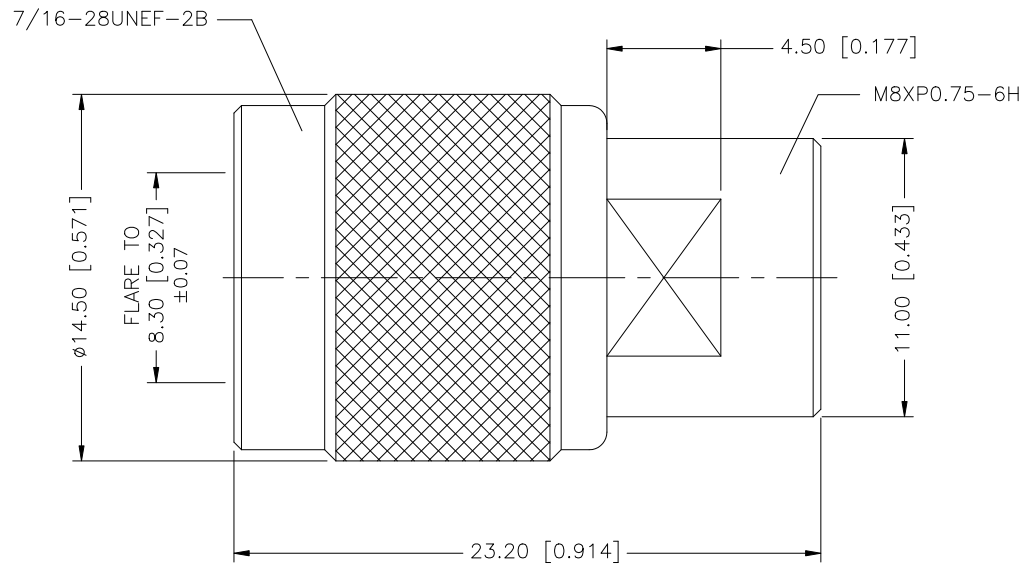


REV.	DATE	ECR NO.	DESCRIPTION
NC	11/22/08	-	INITIAL RELEASE



8					<small>UNLESS OTHERWISE SPECIFIED DIMENSIONS ARE IN MILLIMETERS. DIMENSIONS IN [] ARE IN INCHES AND FOR CUSTOMER REFERENCE ONLY.</small> <small>UNLESS OTHERWISE SPECIFIED TOLERANCES FOR MILLIMETERS ARE:</small> 0.5 - 8mm ± 0.20mm 8 - 30mm ± 0.40mm 30 - 120mm ± 0.50mm <small>UNLESS OTHERWISE SPECIFIED TOLERANCES FOR INCHES ARE:</small> .020 - .315 = ± 0.007" .315 - 1.180 = ± 0.015" 1.180 - 4.724 = ± 0.020" DO NOT SCALE DRAWING	APPROVALS	DATE	<h1 style="color: blue;">Amphenol Connex</h1>	
7				DRAWN		G.R.S.	11/22/08		PART DESCRIPTION FME MALE TO TNC MALE ADAPTER
6				CHECKED					
5				ISSUED					
4	CONTACT PIN	BRASS	GOLD	1	SHEET	1 OF 1	PART NO.	192105	
3	INSULATOR	PTFE	NATURAL	1	DWG. NO. 192105.DWG				
2	BODY	BRASS	NICKEL	1	REV. NC SIZE A SCALE NA				
1	SHELL	BRASS	NICKEL	1					
	DESCRIPTION	MATERIAL	FINISH	QTY					