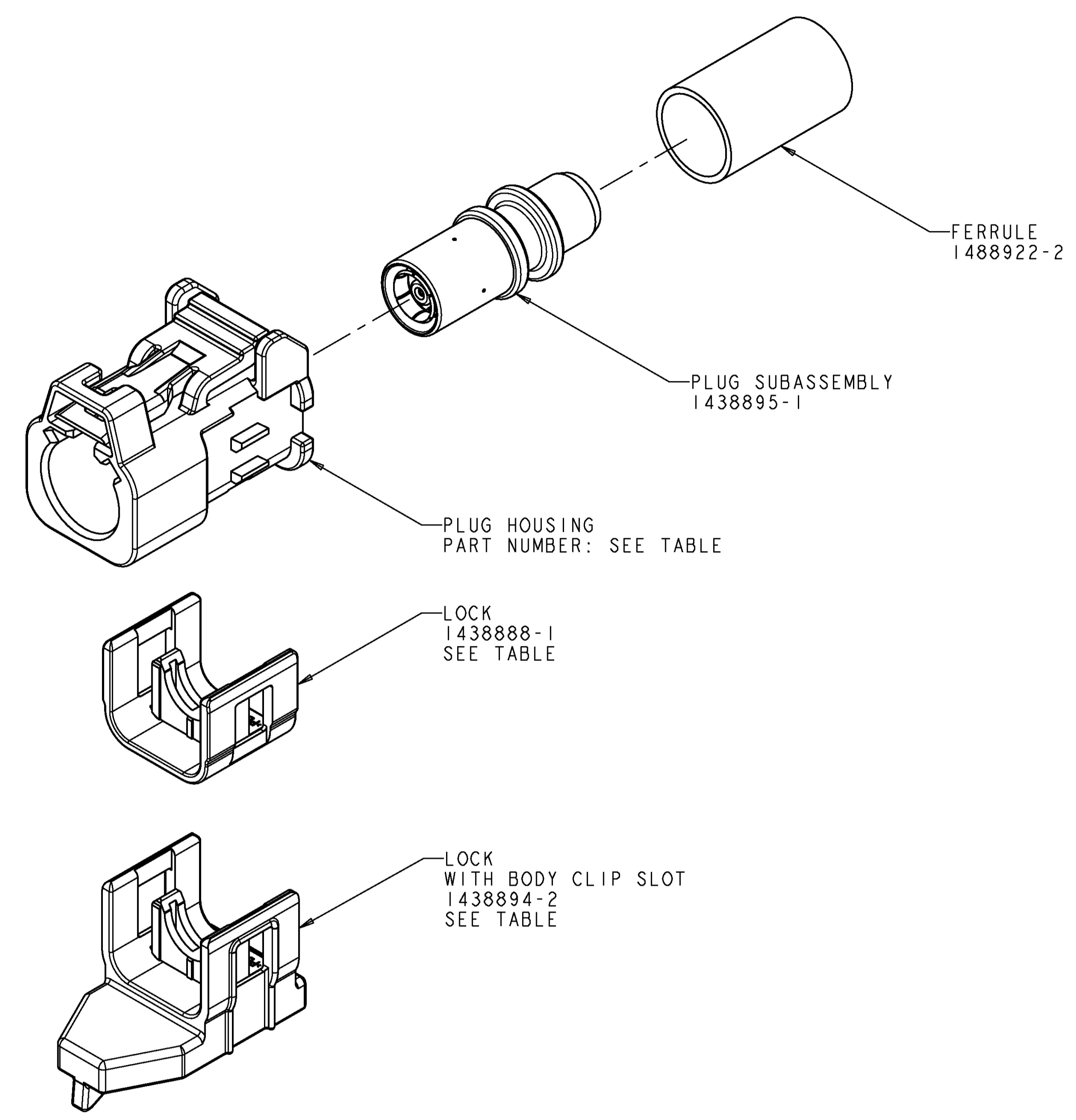
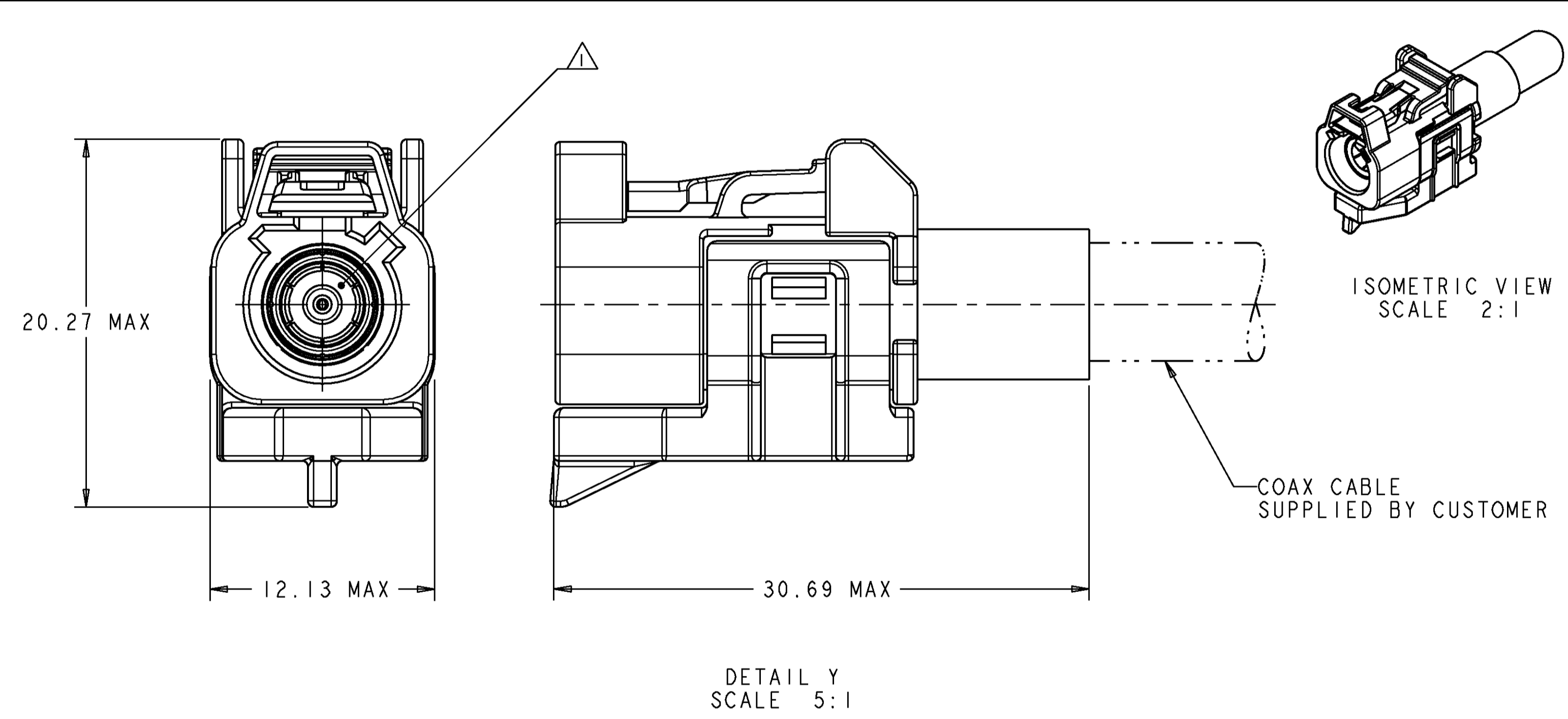
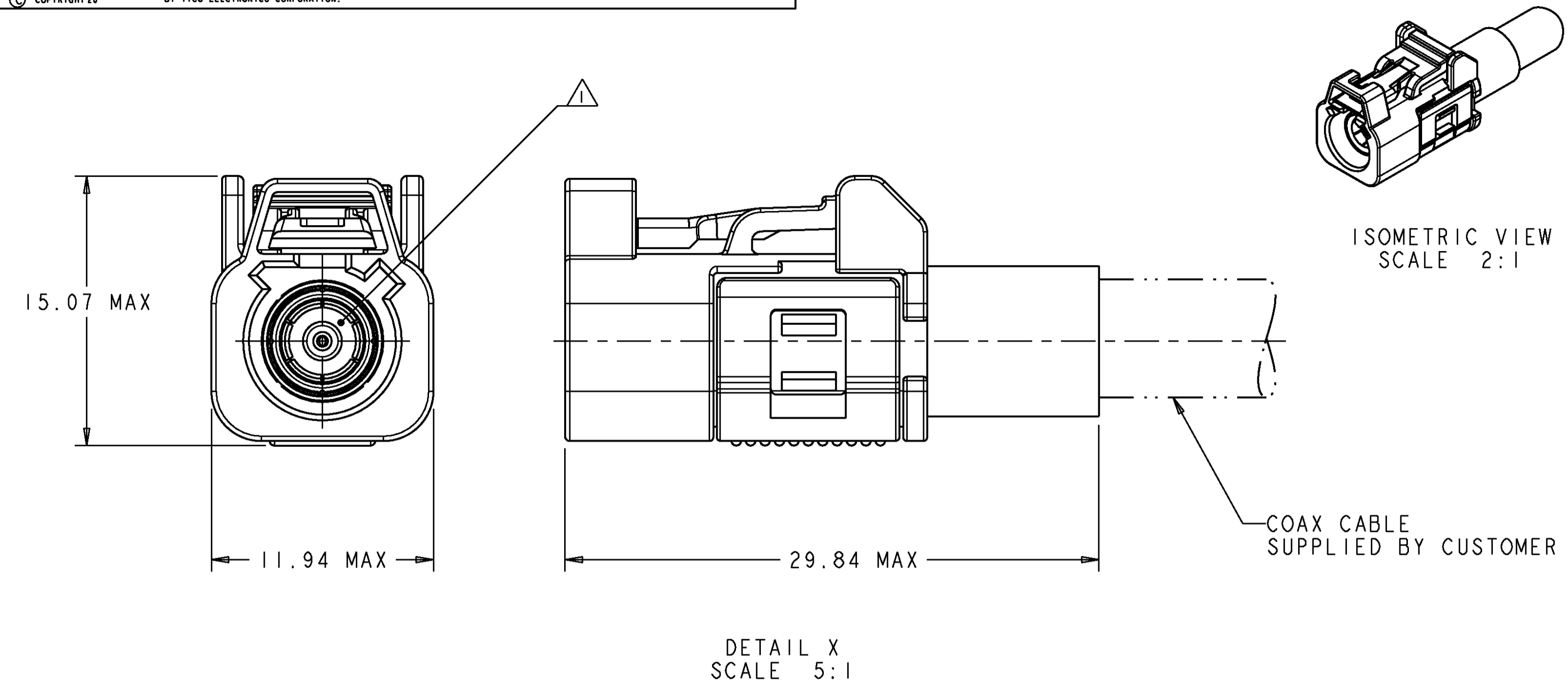
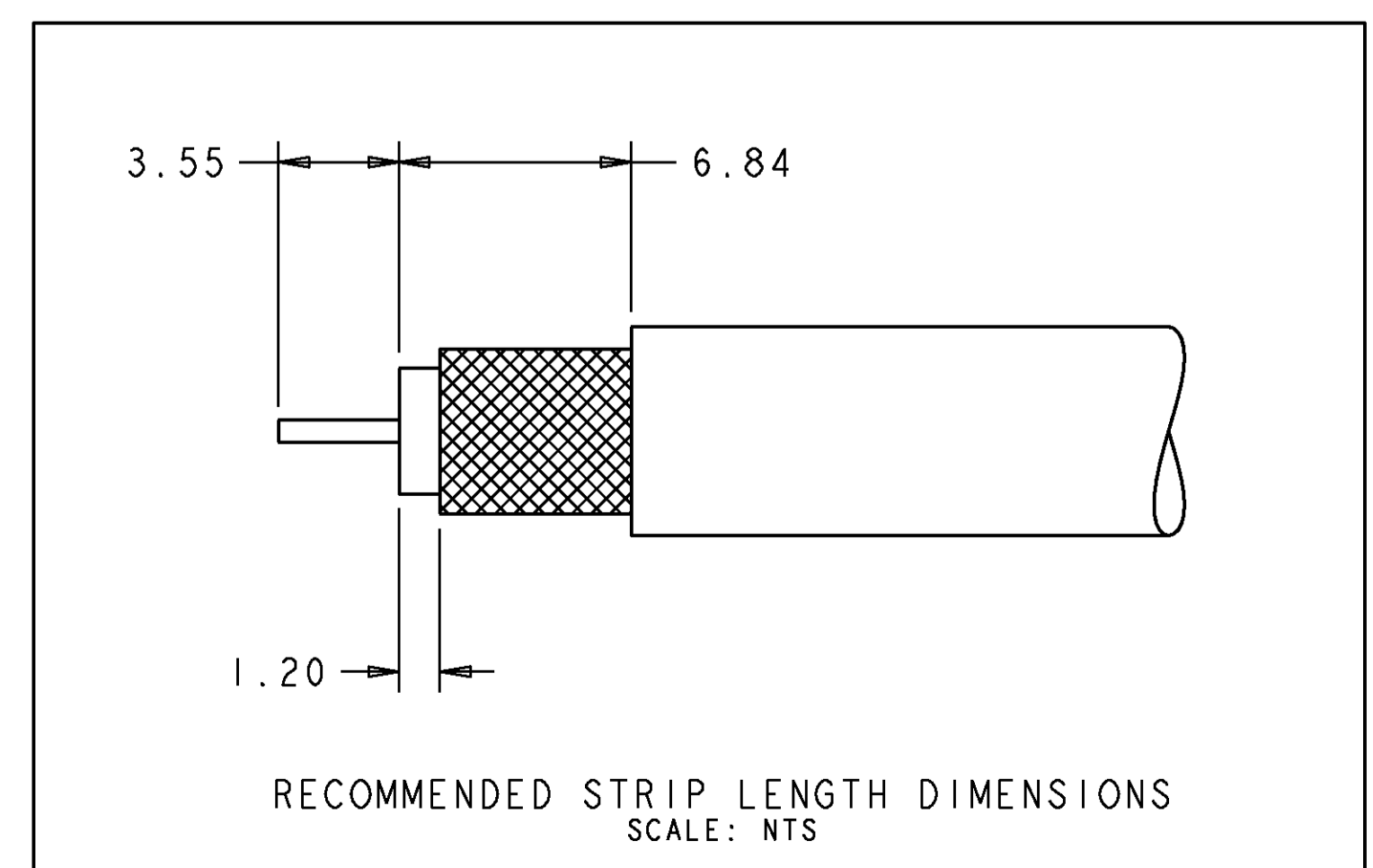


LOC	DIST	REV	DATE	BY	CHKD	APPD
IN	00					
REVISIONS						
REV	DATE	DESCRIPTION	BY	CHKD	APPD	
A	31AUG2005	INITIAL RELEASE	DJH	JMR		
B	14MAR2006	REVISED PER ECO-06-4485	DJH	JMR		
C	06JUN2007	REVISED PER ECR-07-012944	AH	LV		



△ PLUG ACCEPTS JACKS MEETING DIN 72594-1, ROAD VEHICLES - RADIO FREQUENCY INTERFACE - DIMENSIONS AND ELECTRICAL REQUIREMENTS.

2. PLUG SUBASSEMBLY WILL ACCEPT RG-71U/M COAXIAL CABLE.
3. SEE INSTRUCTION SHEET 408-10028.
4. SPACER 1274233-1 MUST BE PURCHASED SEPERATELY.
5. SOCKET CONTACT 1438896-6 MUST BE PURCHASED SEPERATELY.



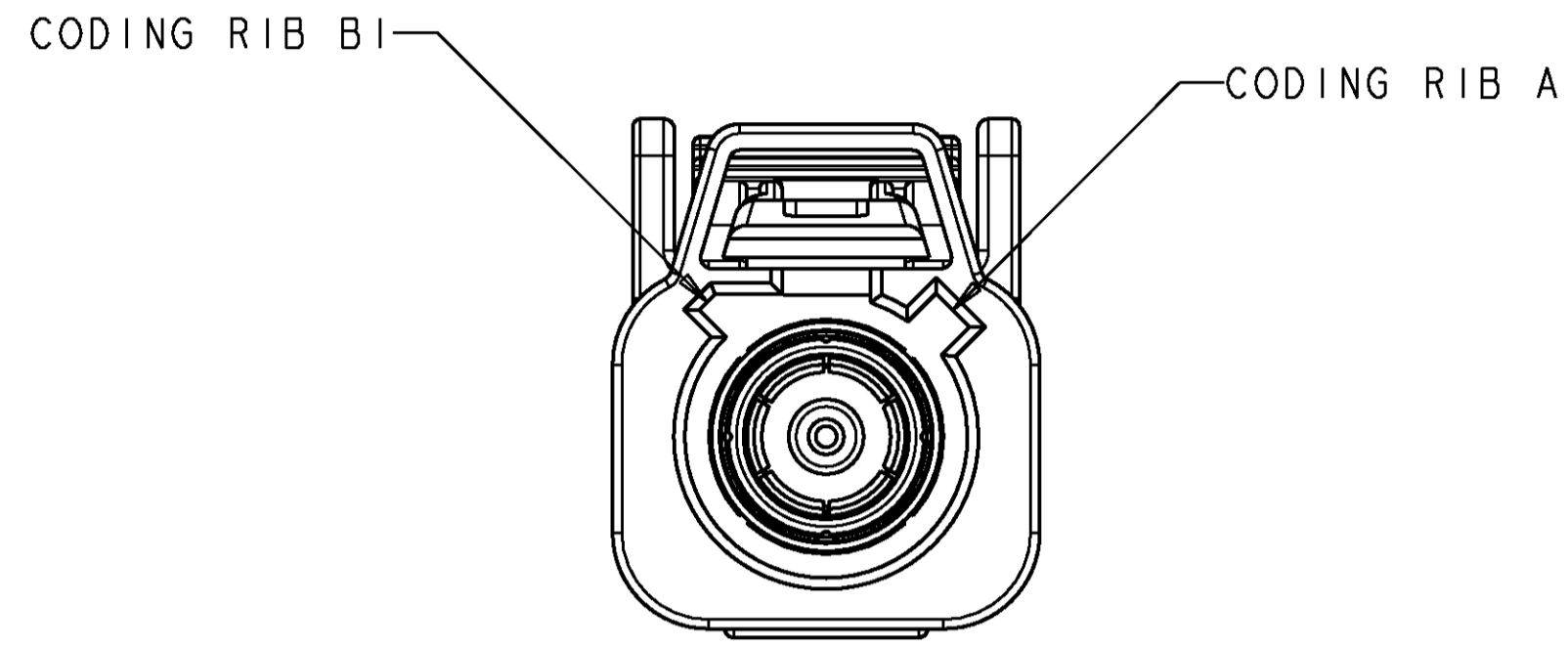
PER DETAIL Y	PER DETAIL K	K	GRAY	1438894-2	CURRY	1-1438893-0	6-1438958-0
PER DETAIL Y	PER DETAIL H	H	GRAY	1438894-2	HEATHER VIOLET	1438893-8	5-1438958-8
PER DETAIL Y	PER DETAIL D	D	GRAY	1438894-2	CLARET VIOLET	1438893-4	5-1438958-4
PER DETAIL Y	PER DETAIL C	C	GRAY	1438894-2	SIGNAL BLUE	1438893-3	5-1438958-3
PER DETAIL Y	PER DETAIL B	B	GRAY	1438894-2	SIGNAL WHITE	1438893-2	5-1438958-2
PER DETAIL Y	PER DETAIL A	A	GRAY	1438894-2	JET BLACK	1438893-1	5-1438958-1
PER DETAIL X	PER DETAIL K	K	RED	1438888-1	CURRY	1-1438893-0	1-1438958-0
PER DETAIL X	PER DETAIL H	H	RED	1438888-1	HEATHER VIOLET	1438893-8	1438958-8
PER DETAIL X	PER DETAIL D	D	RED	1438888-1	CLARET VIOLET	1438893-4	1438958-4
PER DETAIL X	PER DETAIL C	C	RED	1438888-1	SIGNAL BLUE	1438893-3	1438958-3
PER DETAIL X	PER DETAIL B	B	RED	1438888-1	SIGNAL WHITE	1438893-2	1438958-2
PER DETAIL X	PER DETAIL A	A	RED	1438888-1	JET BLACK	1438893-1	1438958-1
ASSEMBLY	KEYING	CODING	LOCK COLOR	LOCK PART NUMBER	HOUSING COLOR	PLUG HOUSING PART NUMBER	PART NUMBER

APPROVED FOR RELEASE BY THE NATIONAL ARCHIVES

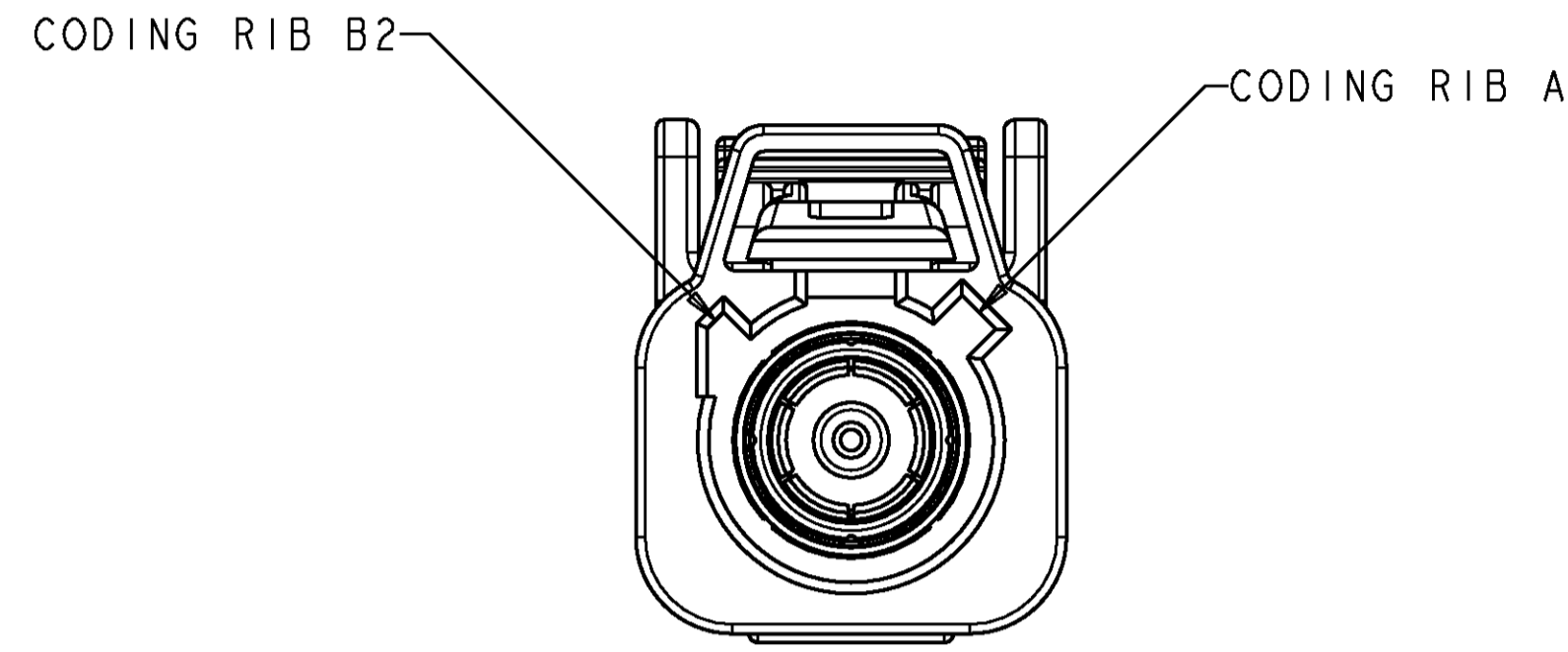
DIMENSIONS:	TOLERANCES UNLESS OTHERWISE SPECIFIED:	OWN	09JUN2005	Tyco Electronics
mm	0 PLC ±	DRG	D. J. HARDY	Tyco Electronics
	1 PLC ±0.25	CHK	J. W. HALL	Harrisburg, PA 17105-3608
	2 PLC ±	APPD	J. W. HALL	
	3 PLC ±	NAME	PLUG KIT, UNASSEMBLED, 1 POSITION, RG-71U/M, 180 DEGREE, FAKRA, SMB	
	4 PLC ±	PRODUCT SPEC		
	ANGLES ±	APPLICATION SPEC		
MATERIAL	FINISH	SIZE	114-13157	
		WEIGHT	00779	
		CUSTOMER DRAWING	SCALE 4:1	

THIS DRAWING IS UNPUBLISHED. RELEASED FOR PUBLICATION 20
 COPYRIGHT 20 BY TYCO ELECTRONICS CORPORATION. ALL RIGHTS RESERVED.

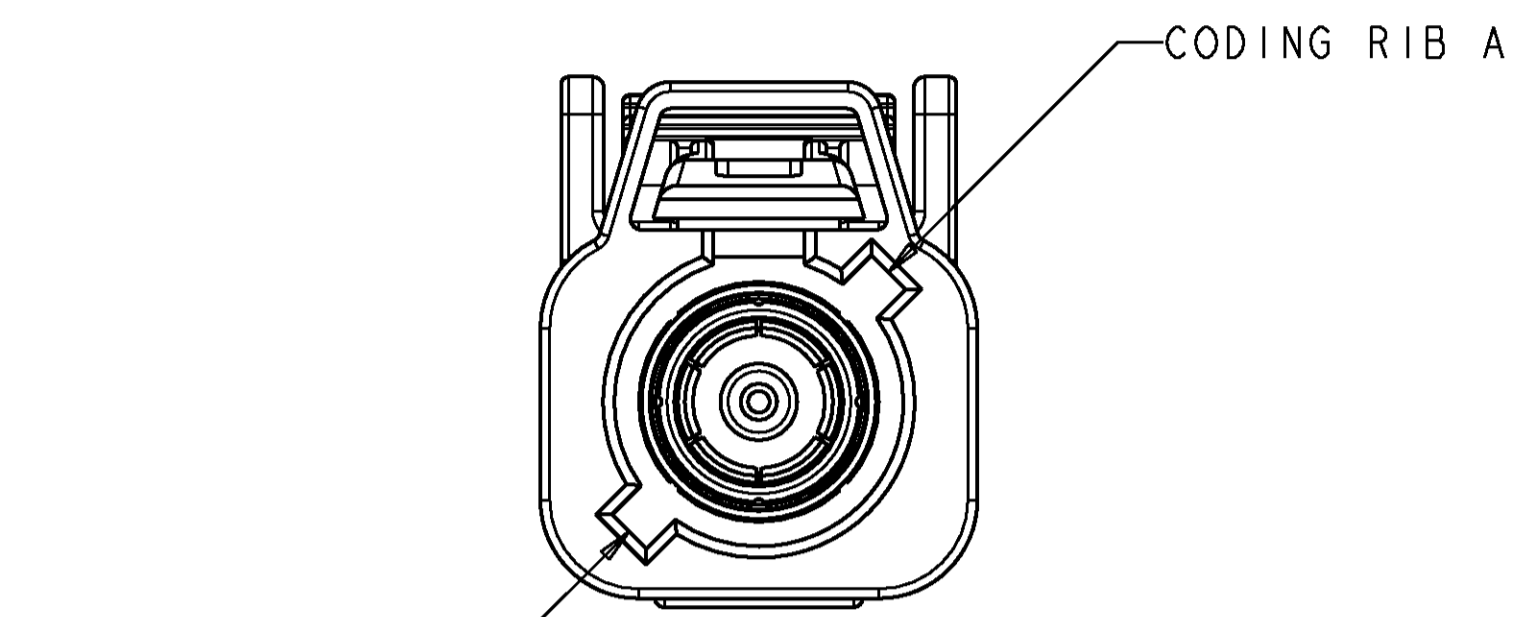
LOC		DIST		REVISIONS					
1	N	0	0	P	LYR	DESCRIPTION	DATE	DNW	APVD
				-		SEE SHEET 1			



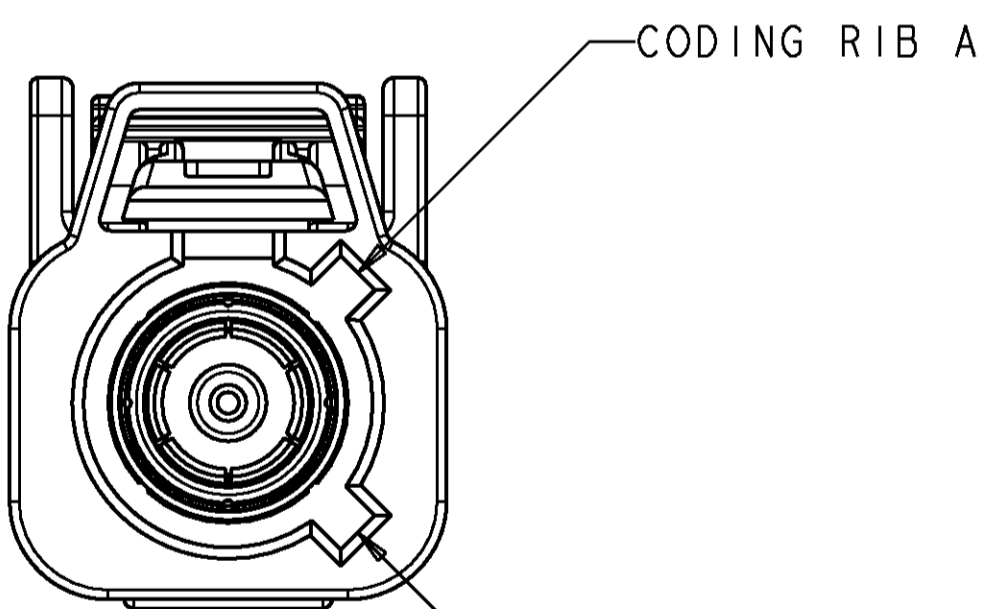
DETAIL A
SCALE 5:1



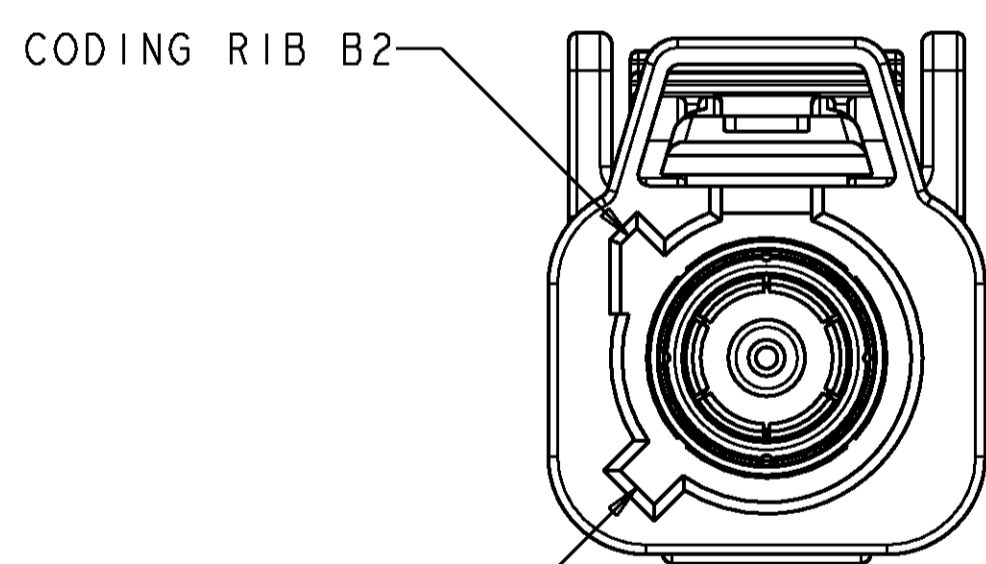
DETAIL B
SCALE 5:1



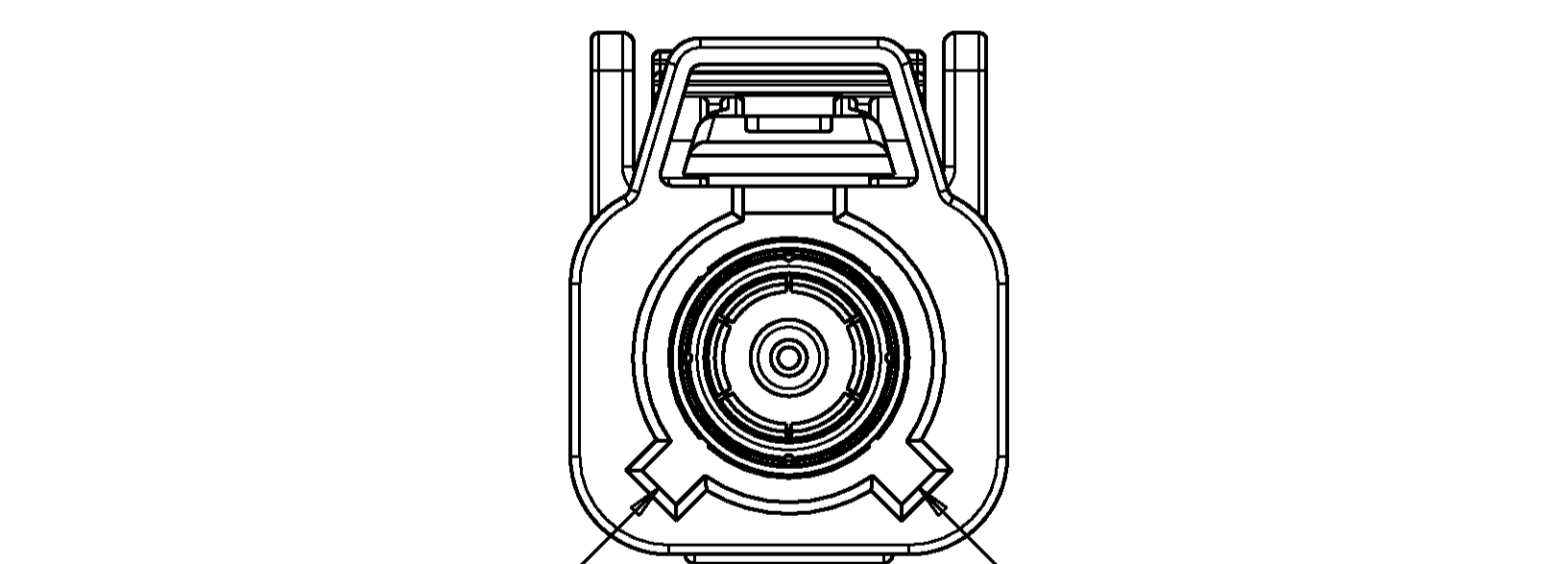
DETAIL C
SCALE 5:1



DETAIL D
SCALE 5:1



DETAIL H
SCALE 5:1



DETAIL K
SCALE 5:1

DIMENSIONS:		TOLERANCES UNLESS OTHERWISE SPECIFIED:		OWN: D. J. HARDY 09JUN2005		Tyco Electronics Tyco Electronics Harrisburg, PA 17105-3608	
mm	0 PLC ±	1 PLC ±	2 PLC ±0.25	3 PLC ±	4 PLC ±	APVD: J. W. HALL 31AUG2005	NAME: PLUG KIT, UNASSEMBLED, 1 POSITION, RG-71U/M, 180 DEGREE, FAKRA, SMB
MATERIAL: -		FINISH: -		WEIGHT: -		SIZE: A1 CAGE CODE: 00779 DRAWING NO: 1438958	
CUSTOMER DRAWING				SCALE: 4:1		SHEET 2 OF 2 REV C	