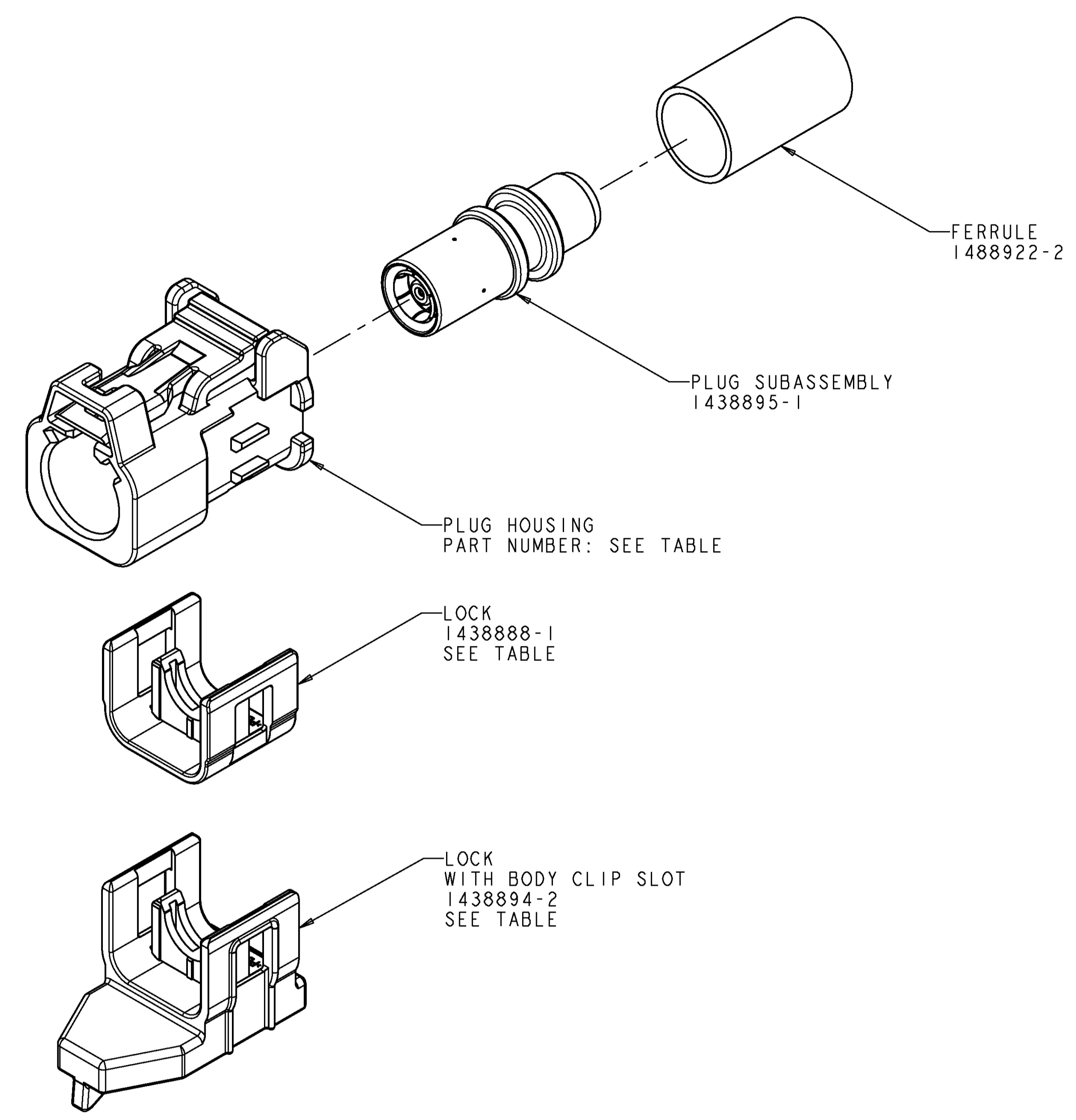
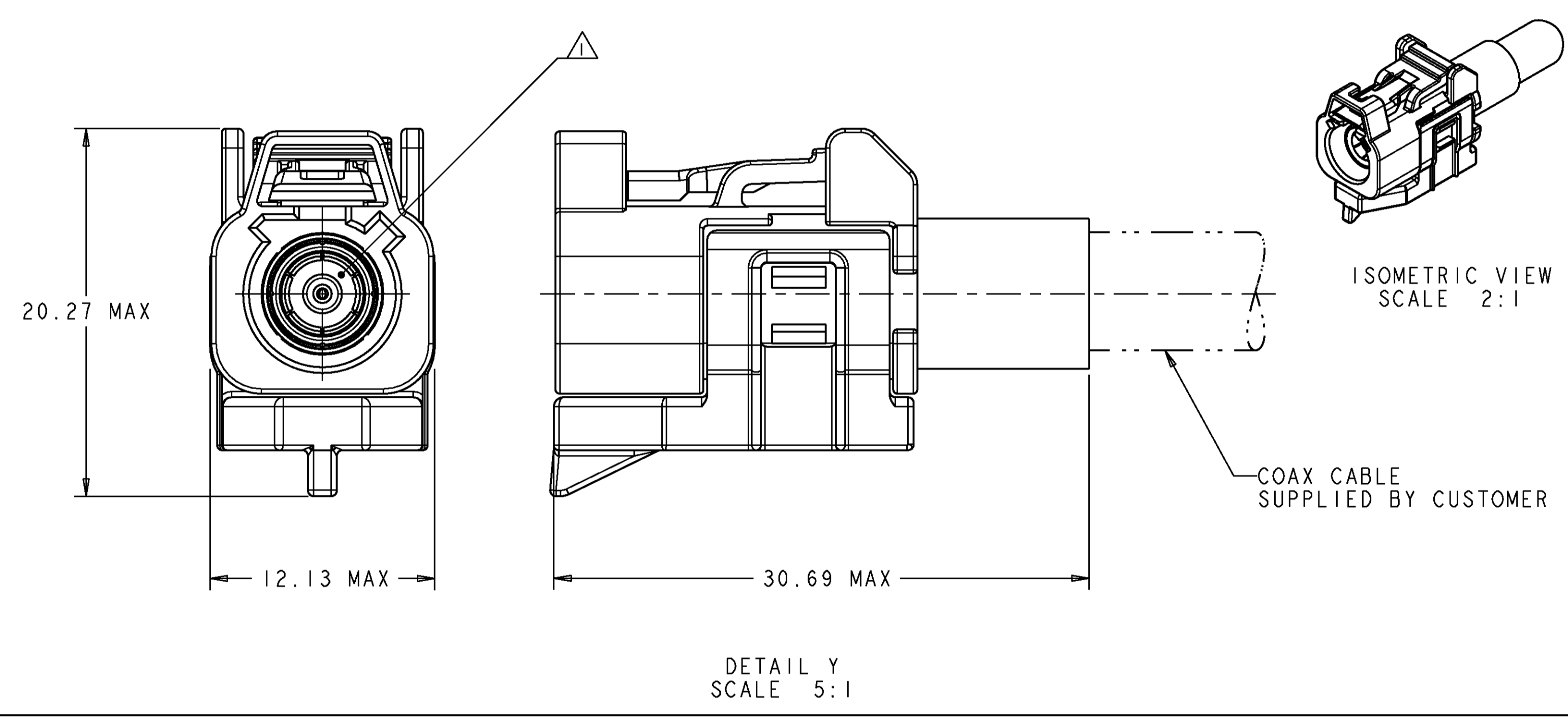
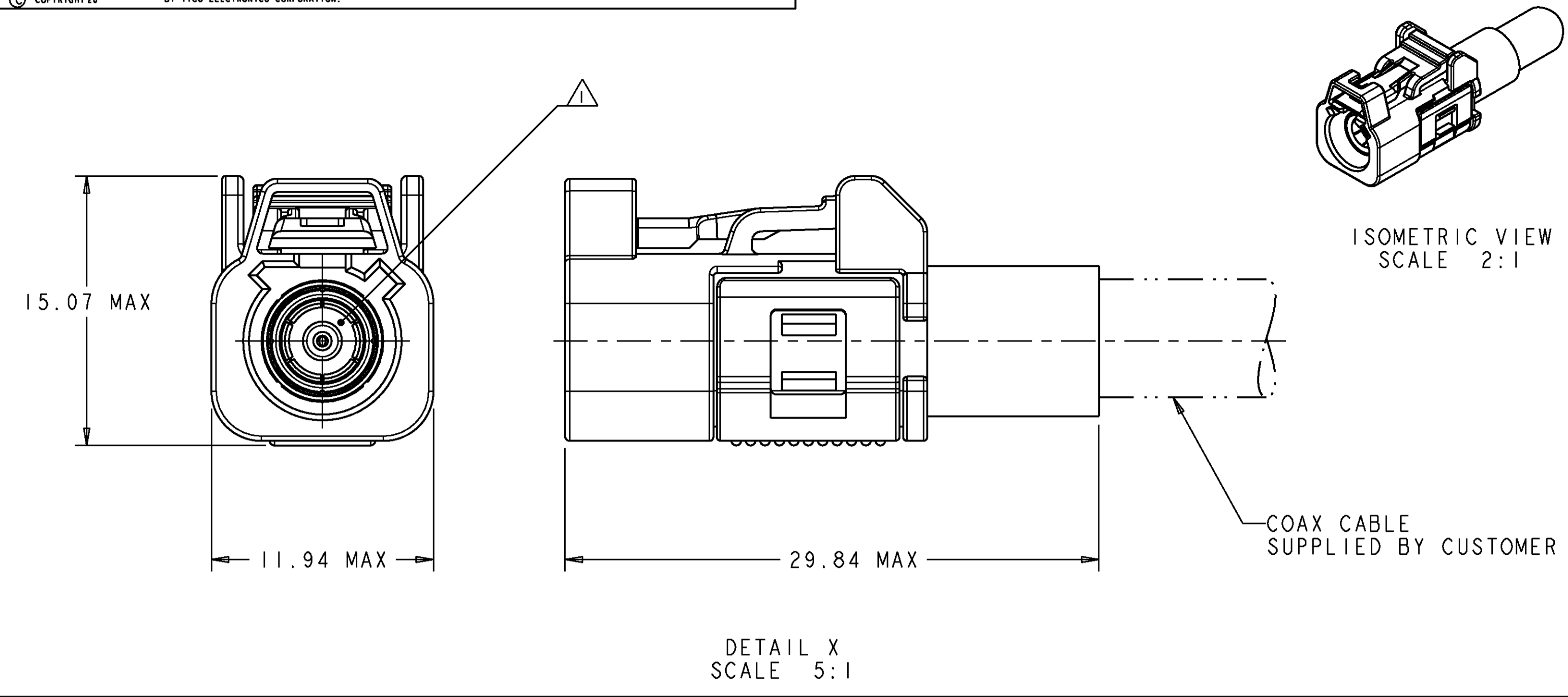
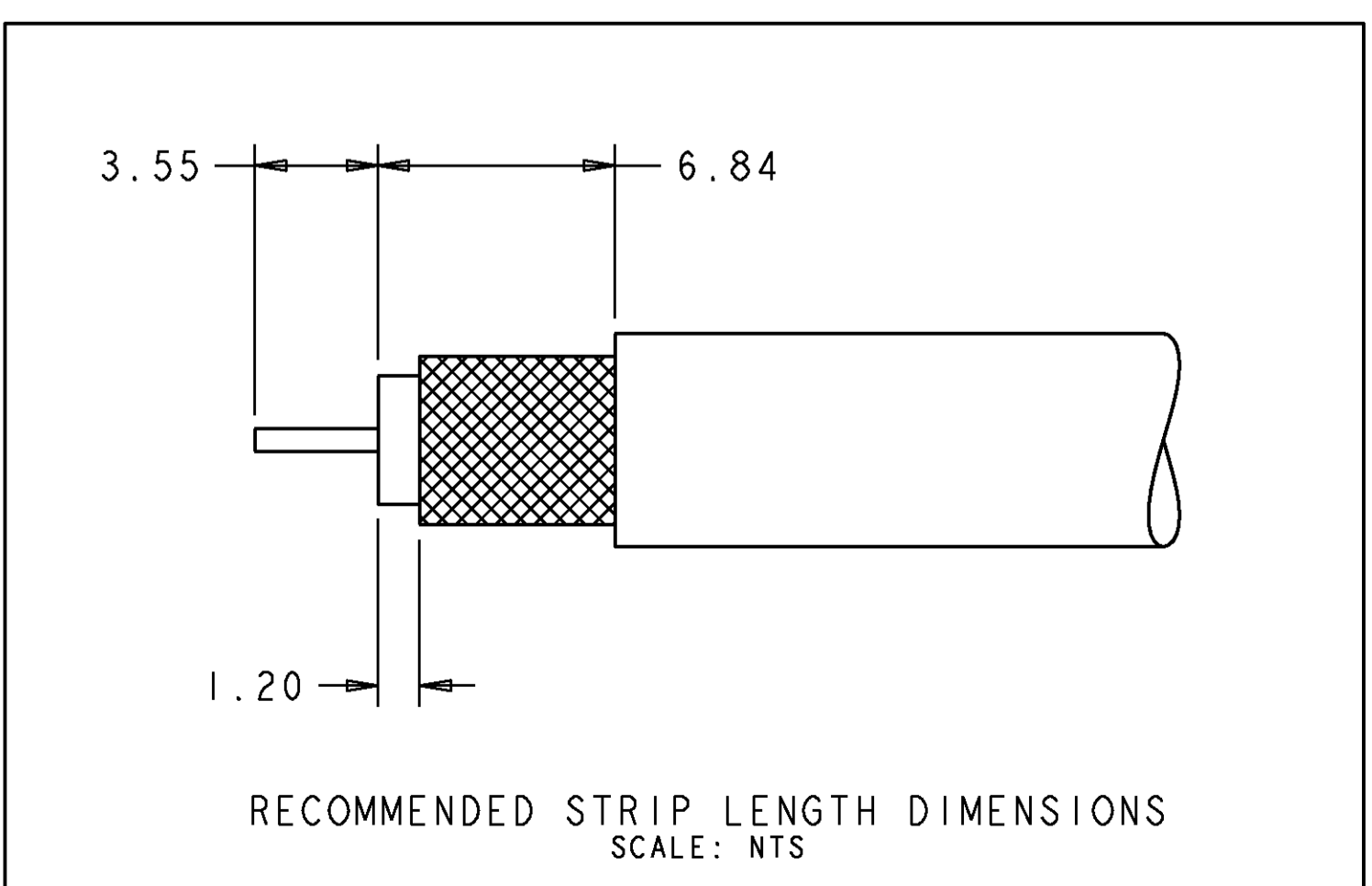


| LOC |    | DIST |  | REVISIONS |  |  |  |
|-----|----|------|--|-----------|--|--|--|
|     |    |      |  |           |  |  |  |
| IN  | 00 |      |  |           |  |  |  |
|     |    |      |  |           |  |  |  |
|     |    |      |  |           |  |  |  |



▲ PLUG ACCEPTS JACKS MEETING DIN 72594-1, ROAD VEHICLES - RADIO FREQUENCY INTERFACE - DIMENSIONS AND ELECTRICAL REQUIREMENTS.

2. PLUG SUBASSEMBLY WILL ACCEPT RG-71U/M COAXIAL CABLE.
3. SEE INSTRUCTION SHEET 408-10028.
4. SPACER 1274233-1 MUST BE PURCHASED SEPERATELY.
5. SOCKET CONTACT 1438896-6 MUST BE PURCHASED SEPERATELY.

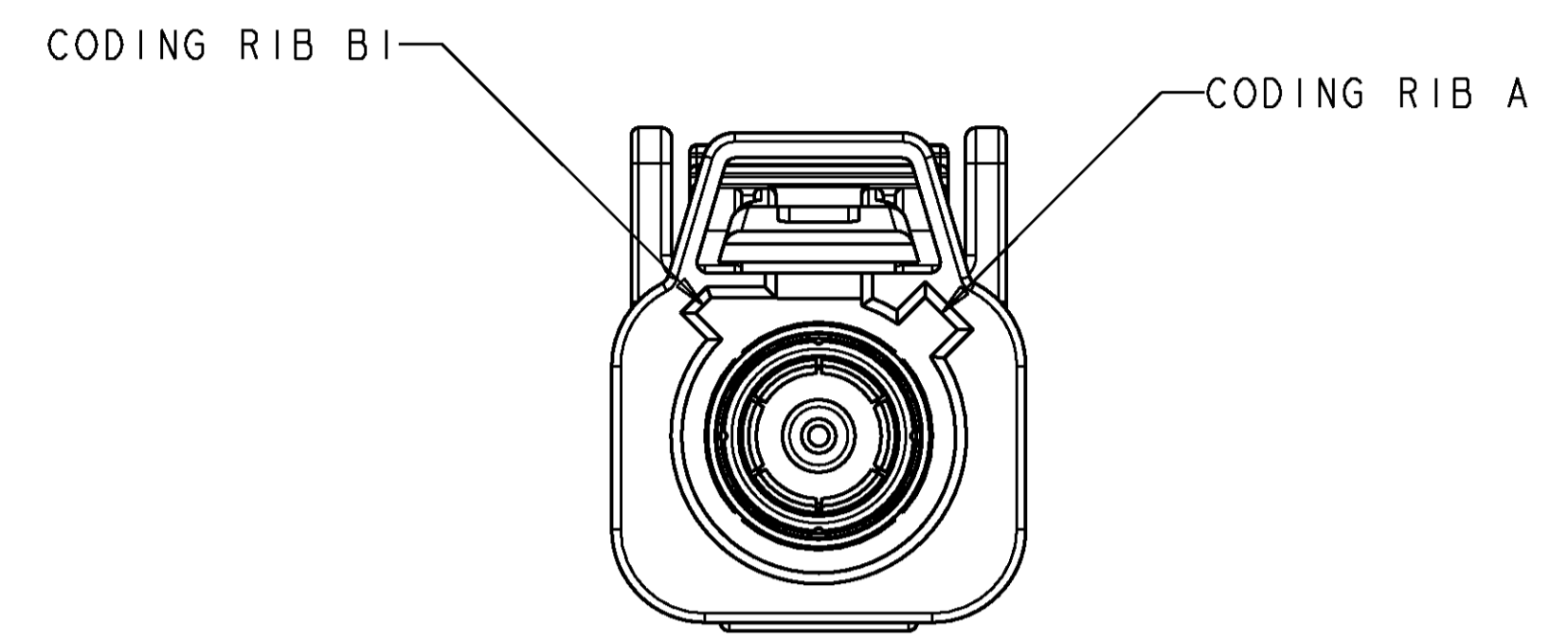


| PER DETAIL Y | PER DETAIL K | K      | GRAY       | 1438894-2        | CURRY          | 1-1438893-0              | 6-1438958-0 |
|--------------|--------------|--------|------------|------------------|----------------|--------------------------|-------------|
| PER DETAIL Y | PER DETAIL H | H      | GRAY       | 1438894-2        | HEATHER VIOLET | 1438893-8                | 5-1438958-8 |
| PER DETAIL Y | PER DETAIL D | D      | GRAY       | 1438894-2        | CLARET VIOLET  | 1438893-4                | 5-1438958-4 |
| PER DETAIL Y | PER DETAIL C | C      | GRAY       | 1438894-2        | SIGNAL BLUE    | 1438893-3                | 5-1438958-3 |
| PER DETAIL Y | PER DETAIL B | B      | GRAY       | 1438894-2        | SIGNAL WHITE   | 1438893-2                | 5-1438958-2 |
| PER DETAIL Y | PER DETAIL A | A      | GRAY       | 1438894-2        | JET BLACK      | 1438893-1                | 5-1438958-1 |
| PER DETAIL X | PER DETAIL K | K      | RED        | 1438888-1        | CURRY          | 1-1438893-0              | 1-1438958-0 |
| PER DETAIL X | PER DETAIL H | H      | RED        | 1438888-1        | HEATHER VIOLET | 1438893-8                | 1438958-8   |
| PER DETAIL X | PER DETAIL D | D      | RED        | 1438888-1        | CLARET VIOLET  | 1438893-4                | 1438958-4   |
| PER DETAIL X | PER DETAIL C | C      | RED        | 1438888-1        | SIGNAL BLUE    | 1438893-3                | 1438958-3   |
| PER DETAIL X | PER DETAIL B | B      | RED        | 1438888-1        | SIGNAL WHITE   | 1438893-2                | 1438958-2   |
| PER DETAIL X | PER DETAIL A | A      | RED        | 1438888-1        | JET BLACK      | 1438893-1                | 1438958-1   |
| ASSEMBLY     | KEYING       | CODING | LOCK COLOR | LOCK PART NUMBER | HOUSING COLOR  | PLUG HOUSING PART NUMBER | PART NUMBER |

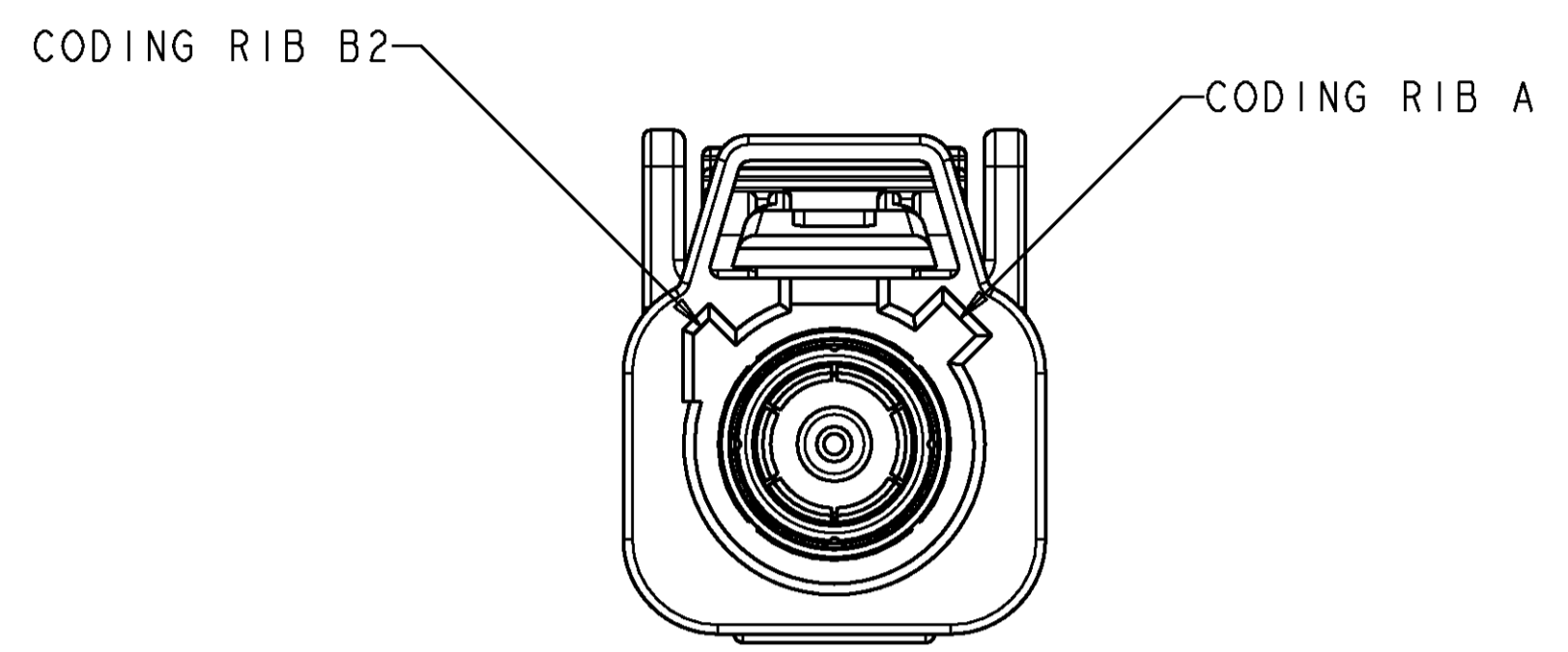
|  |  |   |  |   |  |   |  |
|--|--|---|--|---|--|---|--|
| DIMENSIONS:<br>mm<br>0 PLC ±<br>1 PLC ±<br>2 PLC ±0.25<br>3 PLC ±<br>4 PLC ±<br>ANGLES ±<br>FINISH |  | TOLERANCES UNLESS OTHERWISE SPECIFIED:<br>mm<br>0 PLC ±<br>1 PLC ±<br>2 PLC ±0.25<br>3 PLC ±<br>4 PLC ±<br>ANGLES ±<br>FINISH |  | DWN<br>D. J. HARDY<br>09JUN2005<br>CHK<br>J. W. HALL<br>31AUG2005<br>APVD<br>J. W. HALL<br>31AUG2005<br>PRODUCT SPEC<br>APPLICATION SPEC<br>114-13157<br>WEIGHT<br>CUSTOMER DRAWING |  | Tyco Electronics<br>Harrisburg, PA 17105-3608<br>NAME<br>PLUG KIT, UNASSEMBLED, 1 POSITION, RG-71U/M, 180 DEGREE, FAKRA, SMB<br>SIZE<br>CAGE CODE<br>DRAWING NO<br>RESTRICTED TO<br>00779<br>1438958<br>SCALE<br>4:1<br>SHEET<br>1 OF 2<br>REV<br>C |  |
|--|--|---|--|---|--|---|--|

THIS DRAWING IS UNPUBLISHED. RELEASED FOR PUBLICATION  
 BY TYCO ELECTRONICS CORPORATION. ALL RIGHTS RESERVED.

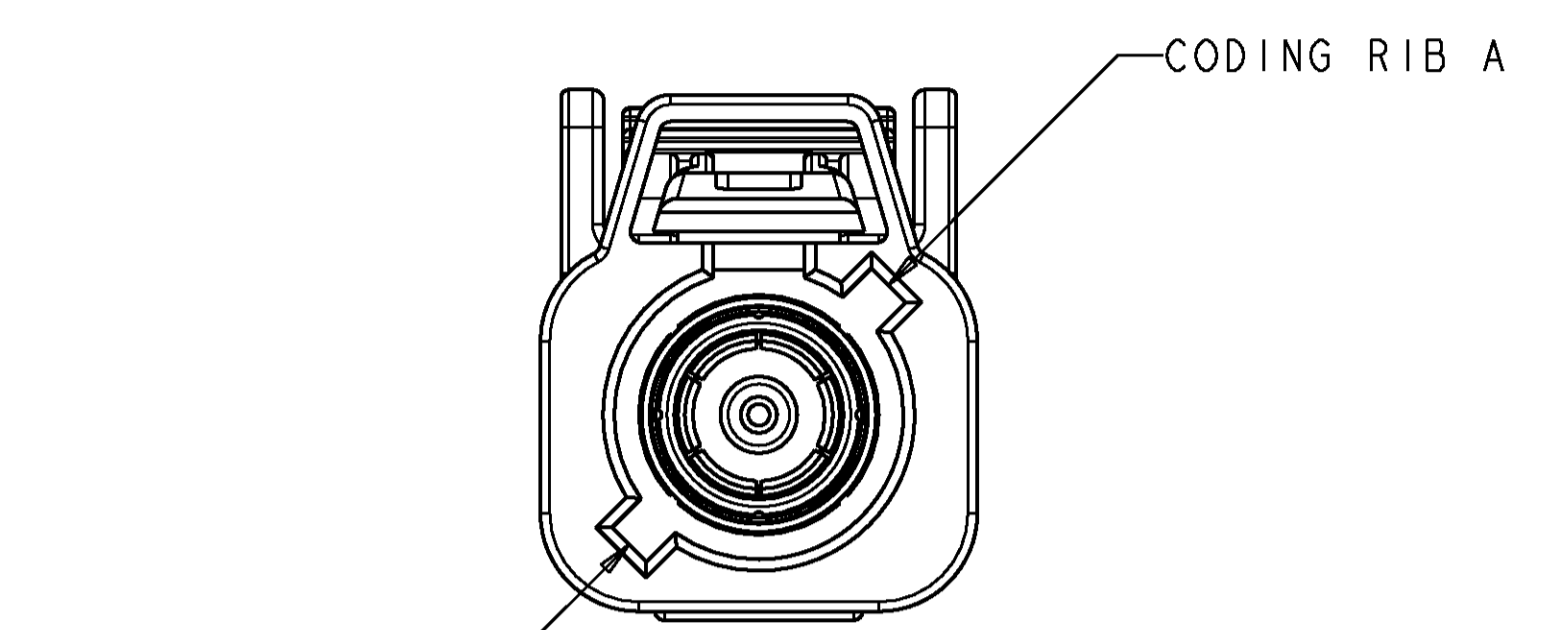
| LOC | DIST | REVISIONS |     |             |      |     |      |
|-----|------|-----------|-----|-------------|------|-----|------|
|     |      | P         | LYR | DESCRIPTION | DATE | DRN | APVD |
| 1N  | 00   | -         | -   | SEE SHEET 1 | -    | -   | -    |
|     |      |           |     |             |      |     |      |
|     |      |           |     |             |      |     |      |



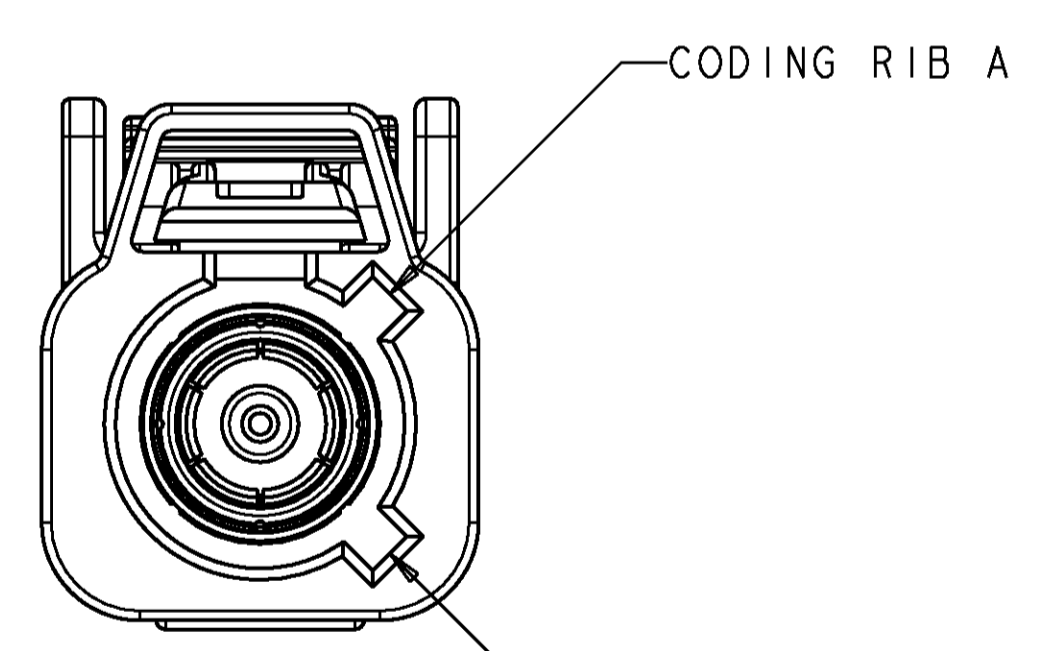
DETAIL A  
SCALE 5:1



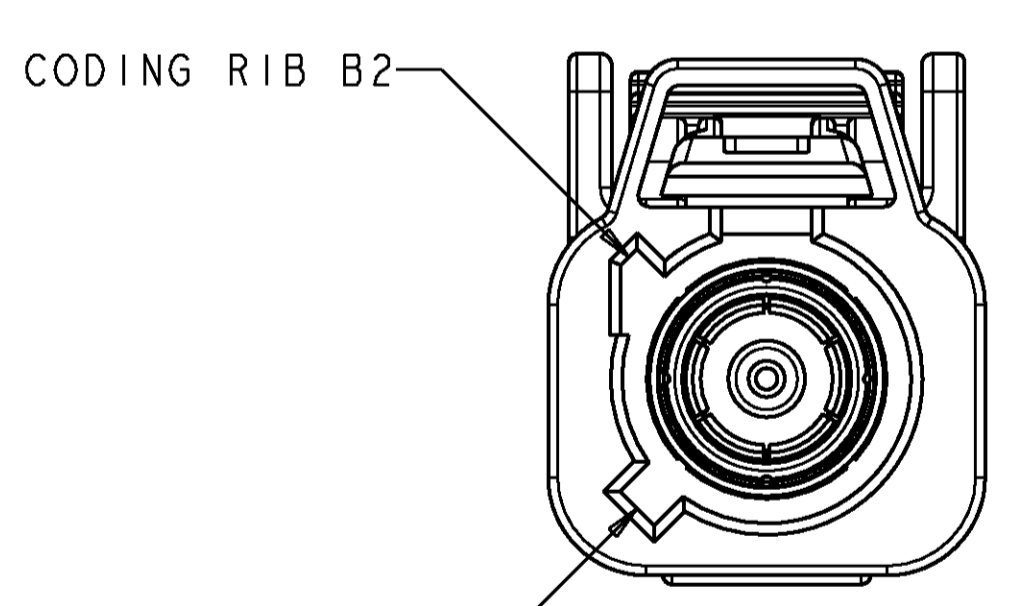
DETAIL B  
SCALE 5:1



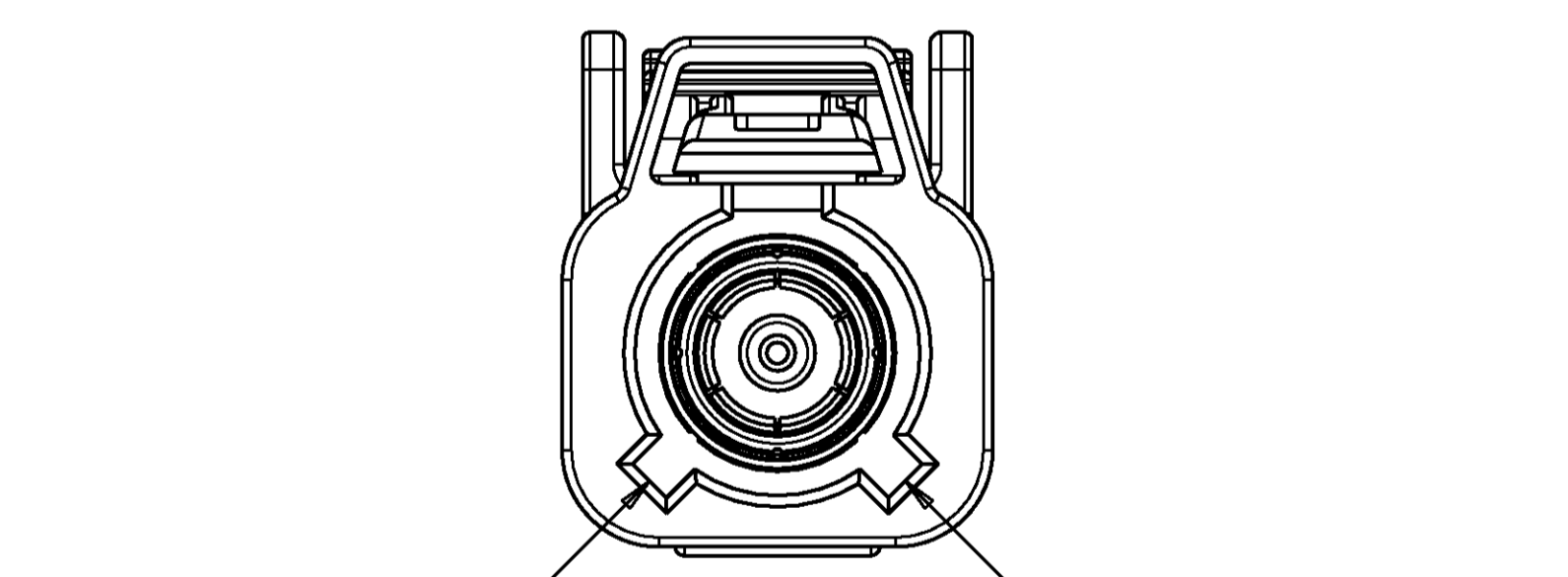
DETAIL C  
SCALE 5:1



DETAIL D  
SCALE 5:1



DETAIL H  
SCALE 5:1



DETAIL K  
SCALE 5:1

|  |  |   |                                     |   |  |
|--|--|---|-------------------------------------|---|--|
| <small>THIS DRAWING IS UNPUBLISHED. RELEASED FOR PUBLICATION BY TYCO ELECTRONICS CORPORATION. ALL RIGHTS RESERVED.</small> |  | DRN: D. J. HARDY<br>CHK: J. W. HALL<br>APVD: J. W. HALL   | 09JUN2005<br>31AUG2005<br>31AUG2005 | Tyco Electronics<br>Harrisburg, PA 17105-3608   |  |
| DIMENSIONS: mm<br>   |  | TOLERANCES UNLESS OTHERWISE SPECIFIED:<br>0 PLC ±<br>1 PLC ±<br>2 PLC ±0.25<br>3 PLC ±<br>4 PLC ±<br>ANGLES ±<br>FINISH |                                     | NAME: PLUG KIT, UNASSEMBLED, 1 POSITION, RG-71U/M, 180 DEGREE, FAKRA, SMB<br>PRODUCT SPEC<br>APPLICATION SPEC | SIZE: A<br>CAGE CODE: 00779<br>DRAWING NO: 1438958<br>RESTRICTED TO: |
| MATERIAL:  |  | WEIGHT:   |                                     | CUSTOMER DRAWING<br>SCALE: 4:1<br>SHEET: 2 OF 2<br>REV: C   |  |