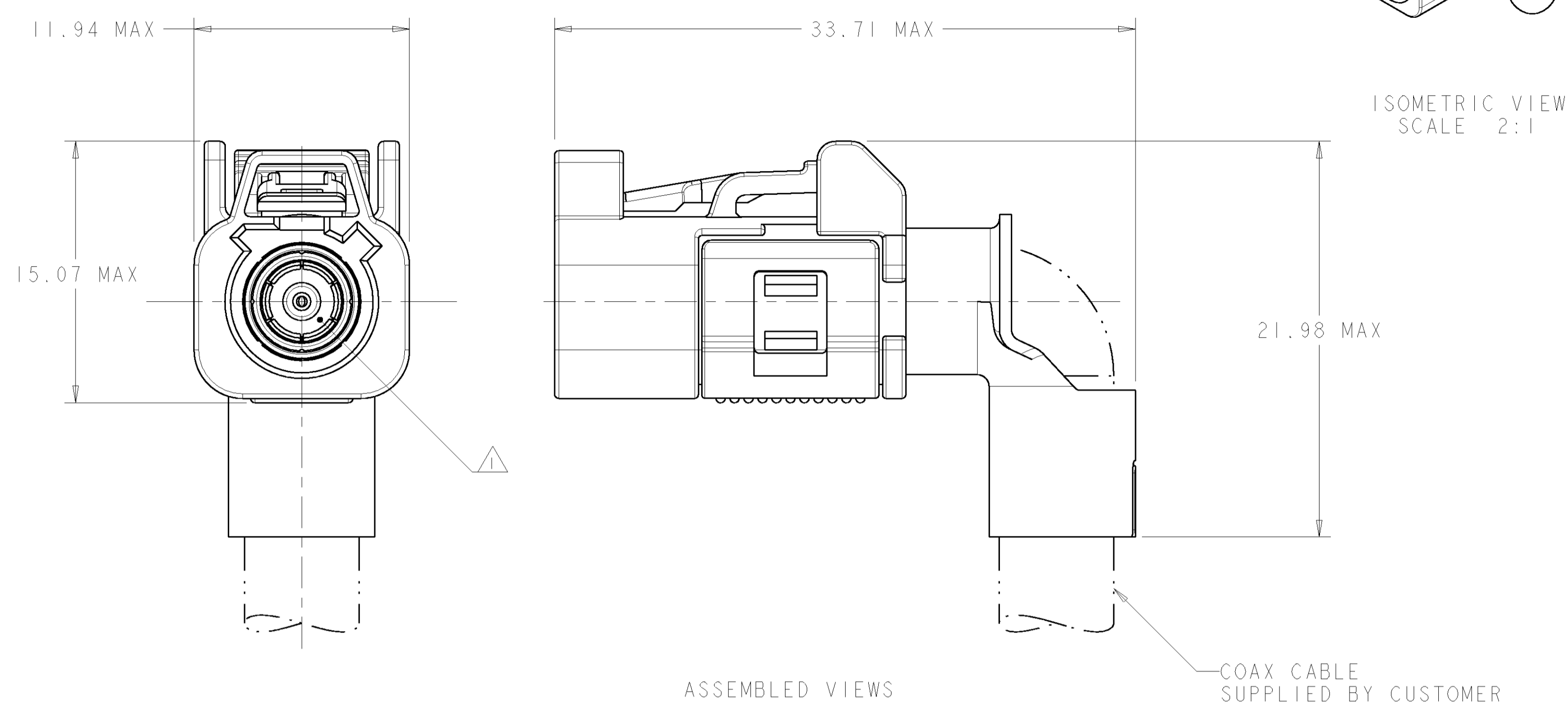
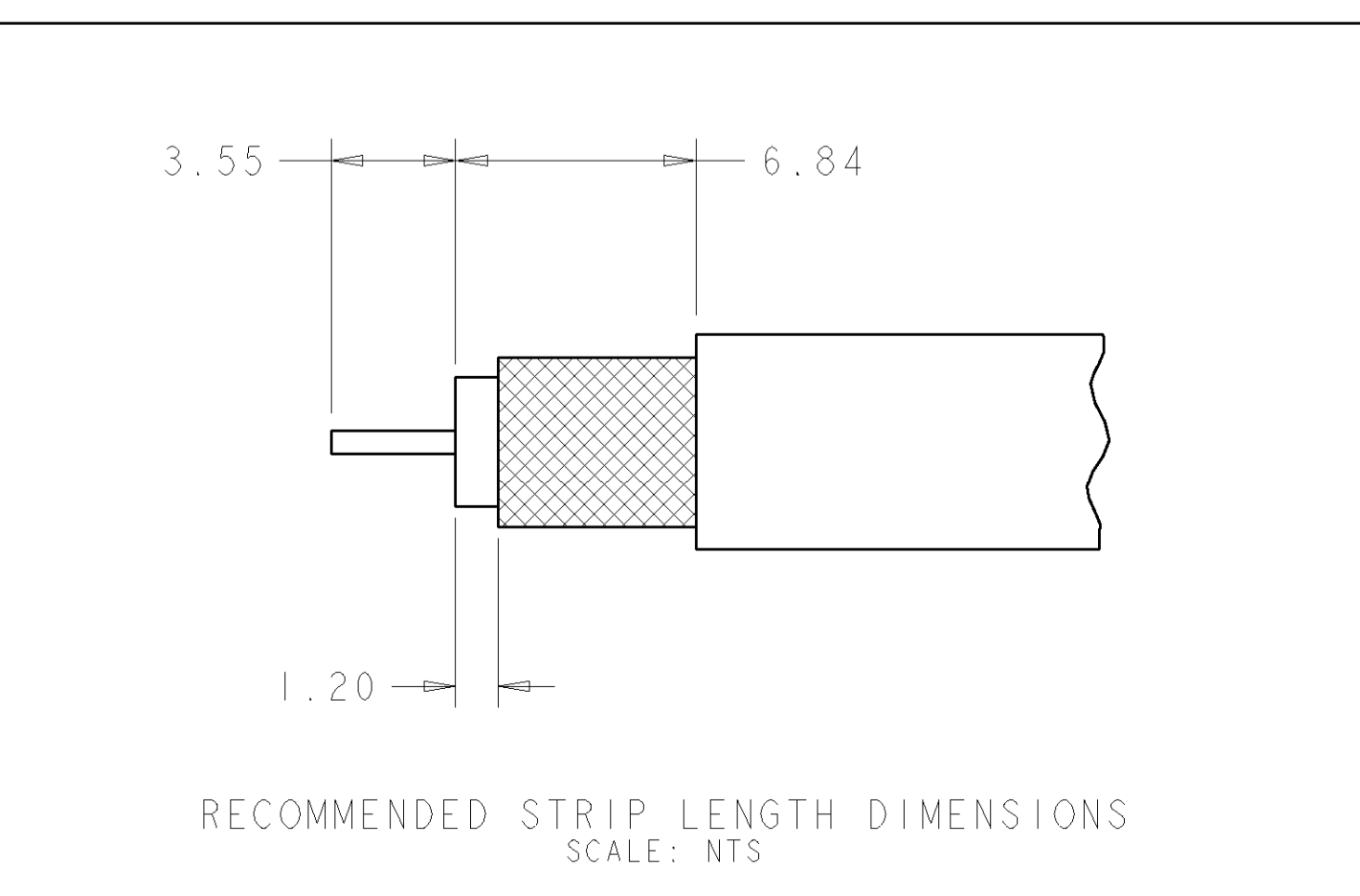
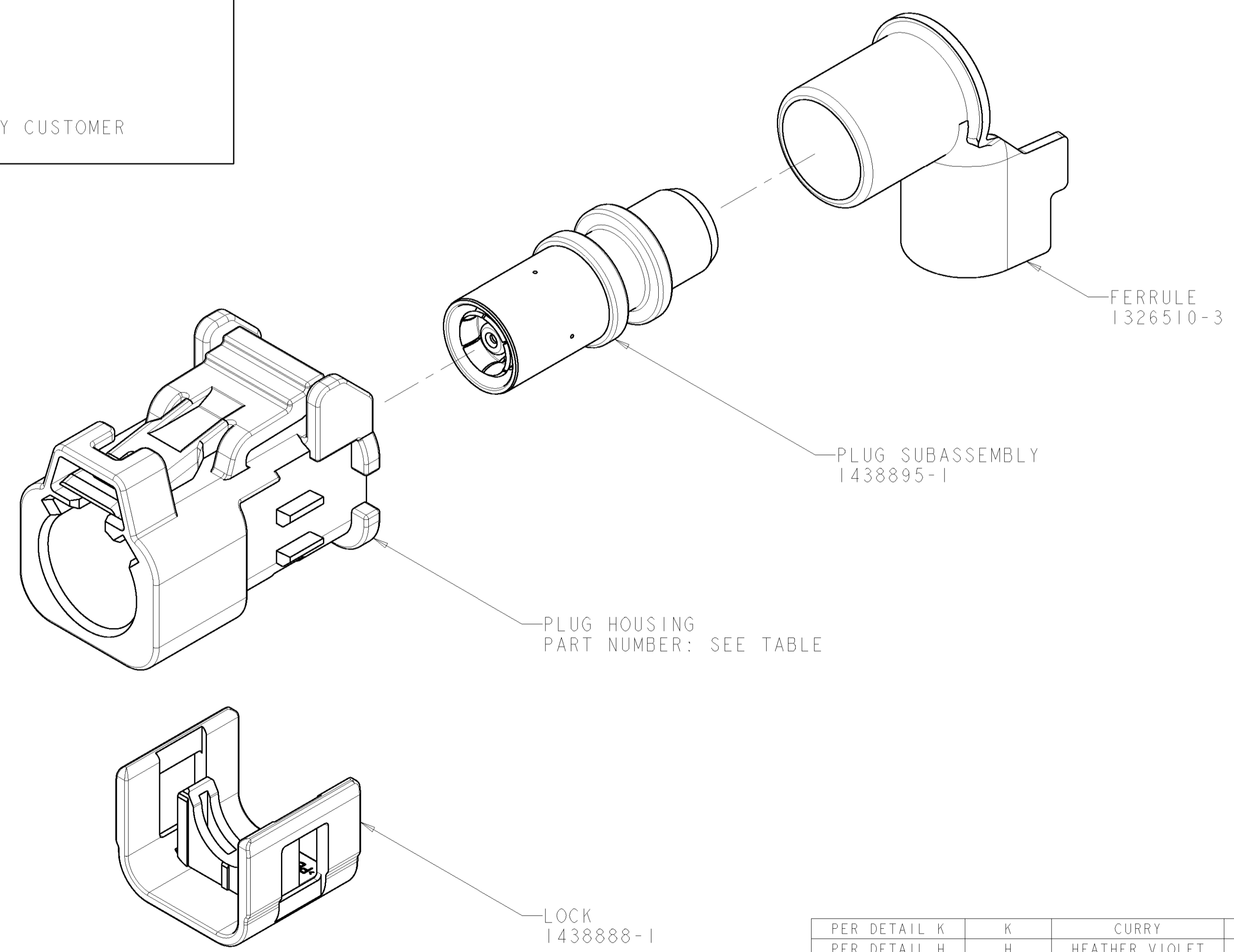


LOC		DIST		REVISIONS			
P	LTR	DESCRIPTION	DATE	DWN	APVD		
A		INITIAL RELEASE	01SEP2005	DJH	JMR		
B		REVISED PER ECO-06-4485	14MAR2006	DJH	JMR		



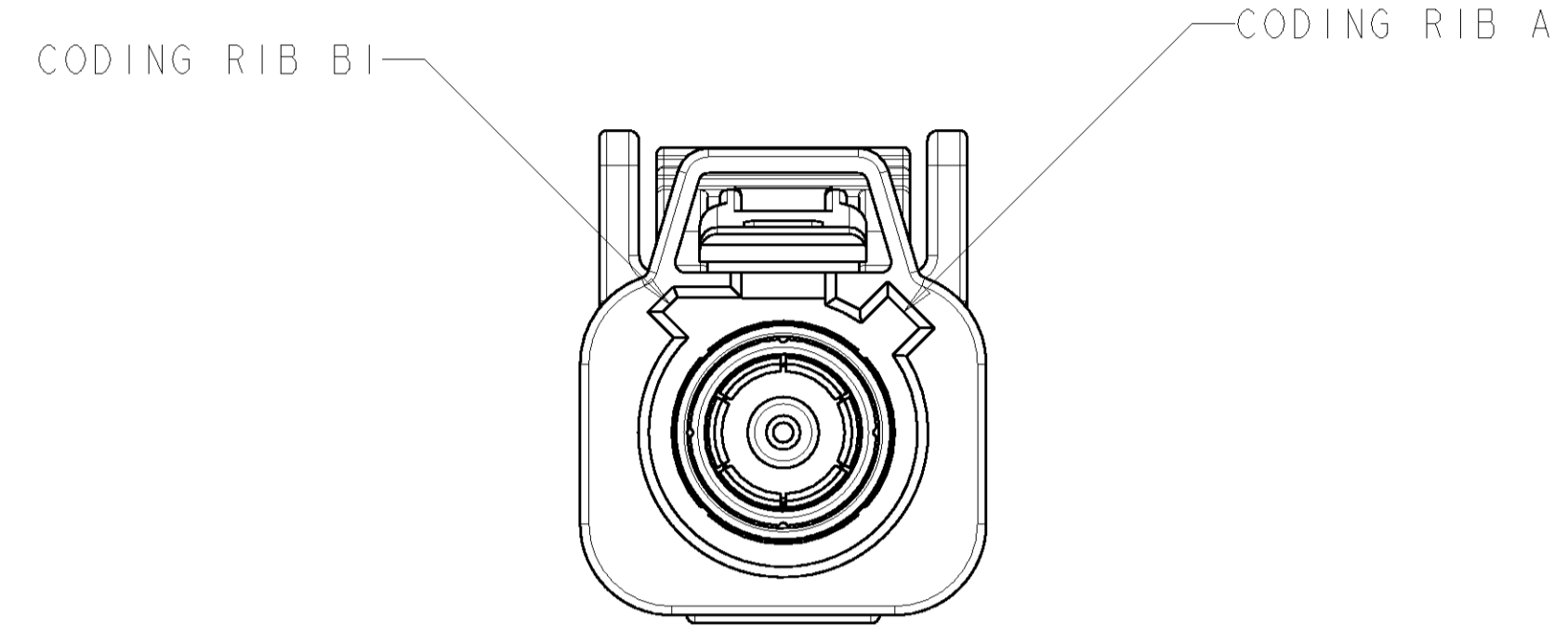
1. PLUG ACCEPTS JACKS MEETING DIN 72594-1, ROAD VEHICLES - RADIO FREQUENCY INTERFACE - DIMENSIONS AND ELECTRICAL REQUIREMENTS.
2. PLUG SUBASSEMBLY WILL ACCEPT RG-71U/M COAXIAL CABLE.
3. SEE INSTRUCTION SHEET 408-10028.
4. SPACER 1274233-1 MUST BE PURCHASED SEPERATELY.
5. SOCKET CONTACT 1438896-6 MUST BE PURCHASED SEPERATELY.



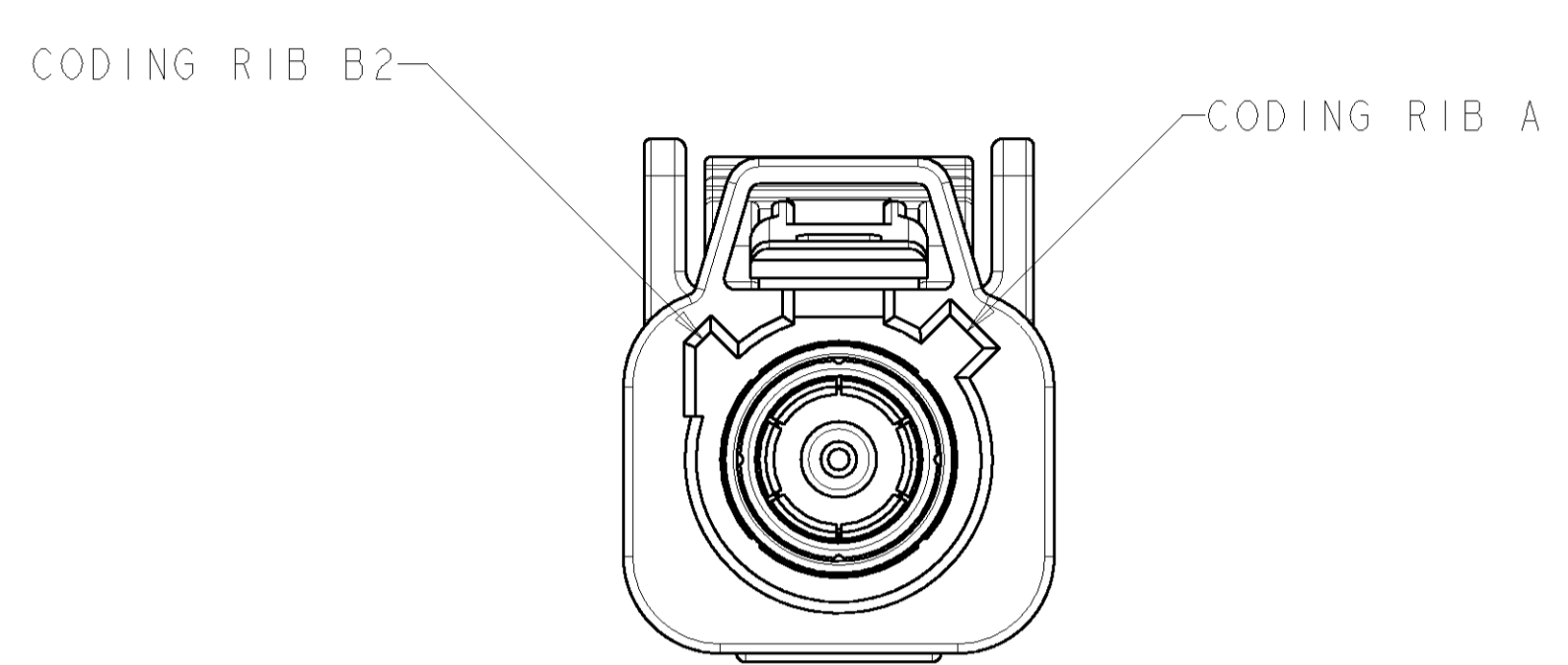
PER DETAIL	KEYING	KEY CODING	HOUSING COLOR	PLUG HOUSING PART NUMBER	PART NUMBER
PER DETAIL K	K	CURRY	1-1438893-0	1-1438959-0	
PER DETAIL H	H	HEATHER VIOLET	1438893-8	1438959-8	
PER DETAIL D	D	CLARET VIOLET	1438893-4	1438959-4	
PER DETAIL C	C	SIGNAL BLUE	1438893-3	1438959-3	
PER DETAIL B	B	SIGNAL WHITE	1438893-2	1438959-2	
PER DETAIL A	A	JET BLACK	1438893-1	1438959-1	

DIMENSIONS: mm TOLERANCES UNLESS OTHERWISE SPECIFIED: 0 PLC ± 1 PLC ±0.25 2 PLC ± 3 PLC ± 4 PLC ± ANGLES ± FINISH		DWN: D.J. HARDY 03JUN2005 ENR: J.W. HALL 01SEP2005 APVD: J.W. HALL 01SEP2005	Tyco Electronics Harrisburg, PA 17105-3608
MATERIAL: - FINISH: -		NAME: PLUG KIT, UNASSEMBLED, 1 POSITION, RG-71U/M, 90 DEGREE, FAKRA, SMB APPLICATION SPEC: - SIZE: 114-13157 WEIGHT: -	CUSTOMER DRAWING SCALE: 5:1 SHEET 1 OF 2 REV B

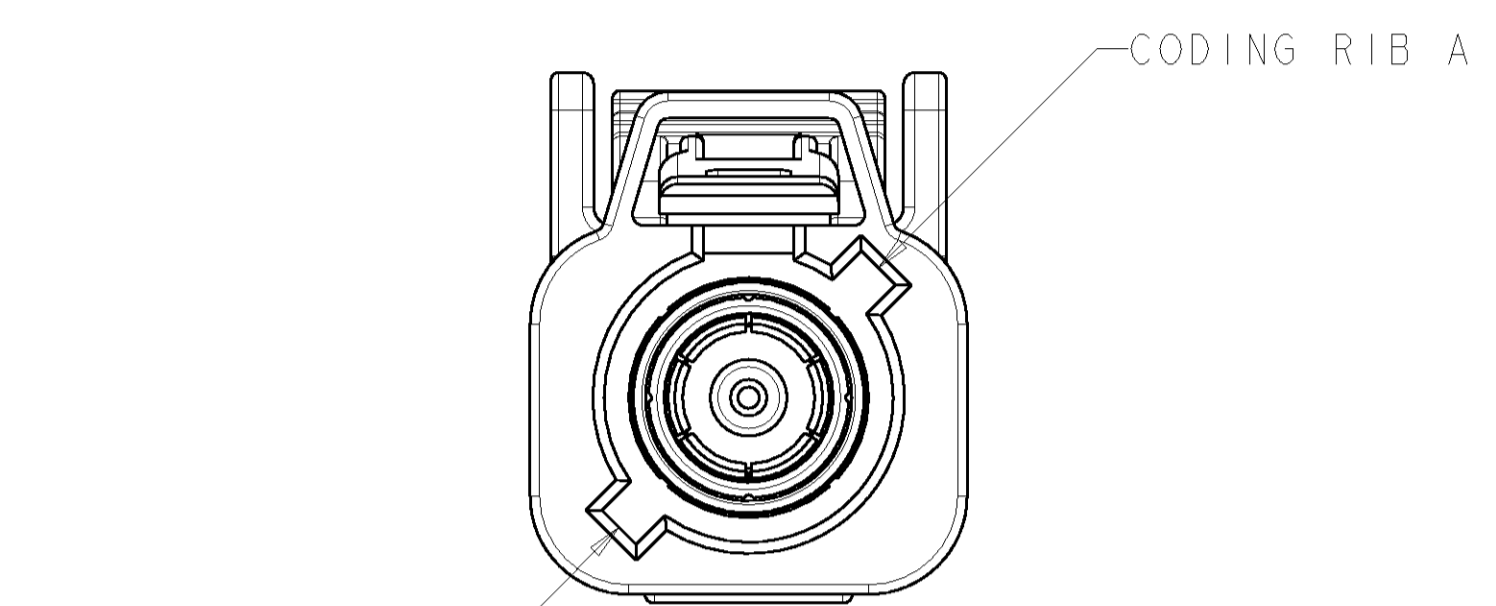
LOC		DIST		REVISIONS			
P	LTR	DESCRIPTION	DATE	DWN	APVD		
-	-	SEE SHEET 1	-	-	-		



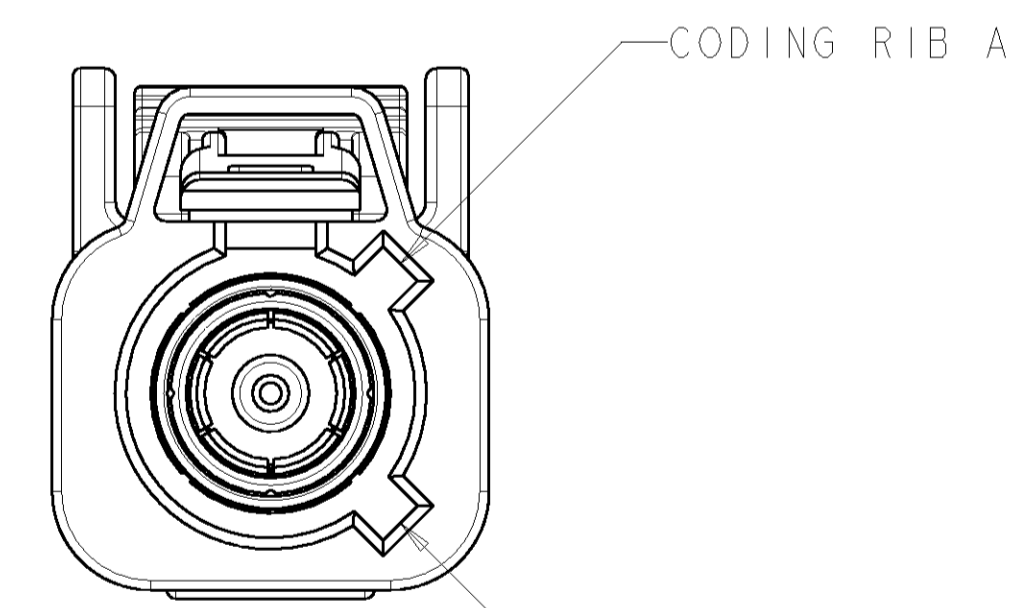
DETAIL A



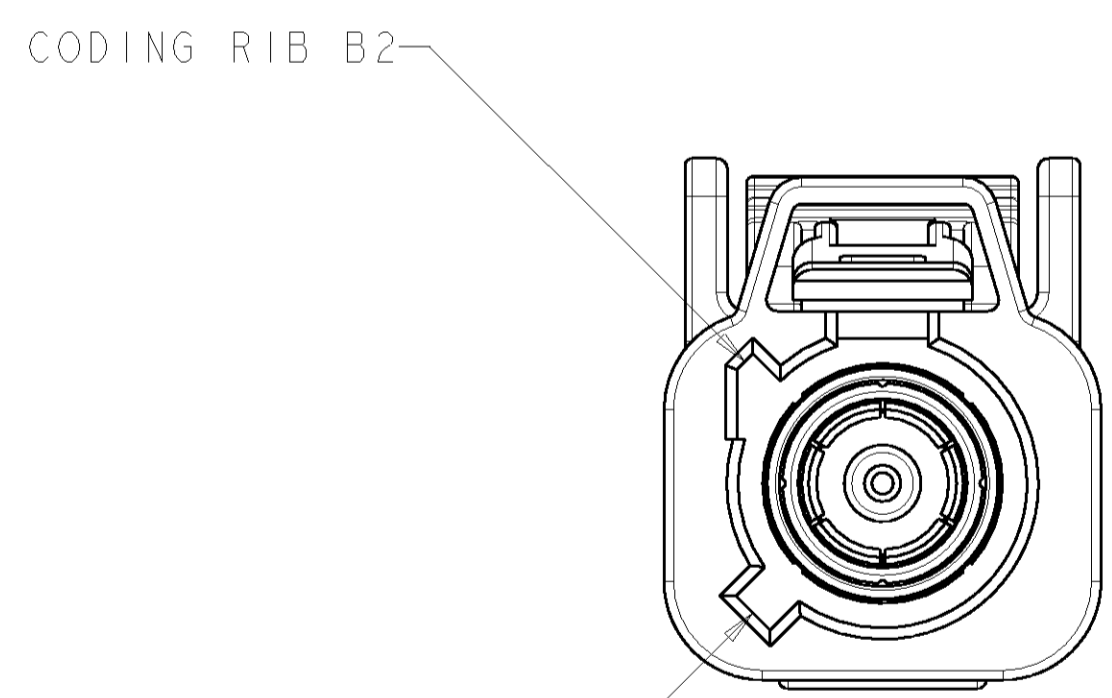
DETAIL B



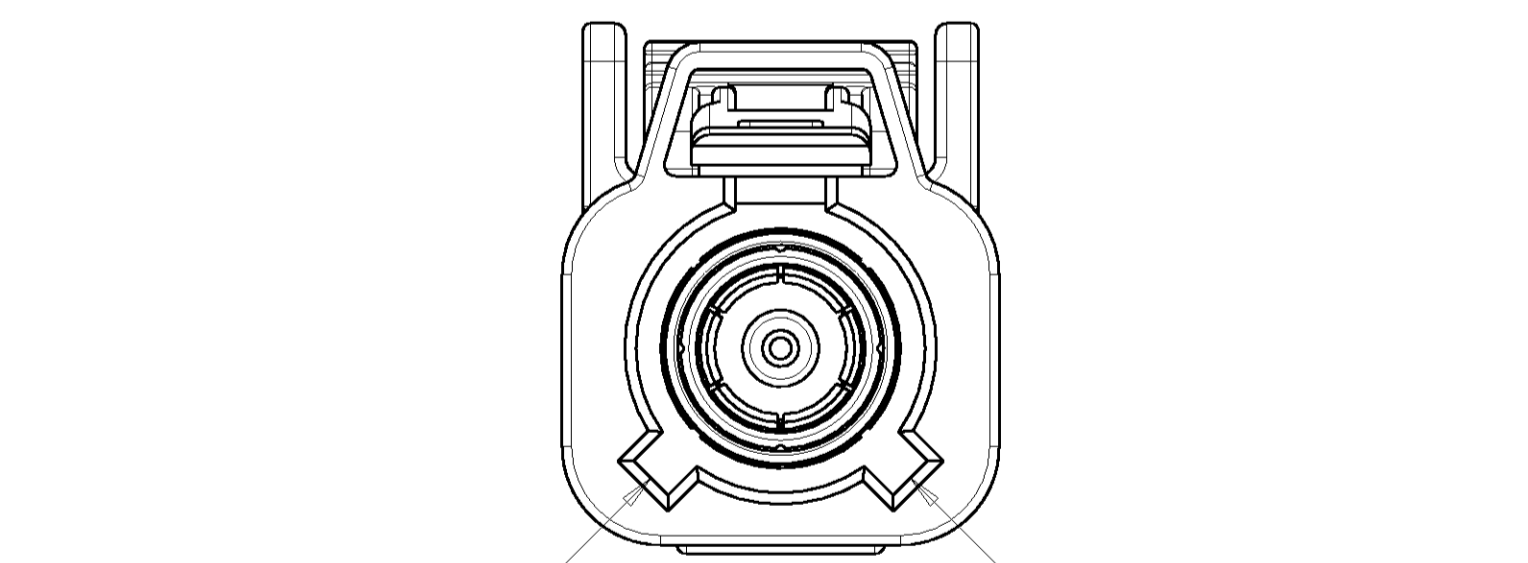
DETAIL C



DETAIL D



DETAIL H



DETAIL K

<small>THE INFORMATION CONTAINED HEREIN IS UNCLASSIFIED EXCEPT WHERE SHOWN OTHERWISE. IT IS THE PROPERTY OF TYCO ELECTRONICS CORPORATION AND IS TO BE CONTAINED AND CONTROLLED BY THE USER'S ORGANIZATION UNLESS SO INDICATED BY THE USER'S ORGANIZATION.</small>		DWN D. J. HARDY 03JUN2005 CHK J. W. HALL 01SEP2005 APVD J. W. HALL 01SEP2005	tyco Electronics Tyco Electronics Harrisburg, PA 17105-3608
DIMENSIONS: mm 	TOLERANCES UNLESS OTHERWISE SPECIFIED: 0 PLC ± 1 PLC ± 2 PLC ±0.25 3 PLC ± 4 PLC ± ANGLES ± FINISH -	NAME PLUG KIT, UNASSEMBLED, 1 POSITION, RG-71U/M, 90 DEGREE, FAKRA, SMB PRODUCT SPEC - APPLICATION SPEC - WEIGHT - CUSTOMER DRAWING	SIZE CAGE CODE DRAWING NO RESTRICTED TO A 00779 C-1438959 - SCALE 5:1 SHEET 2 OF 2 REV B