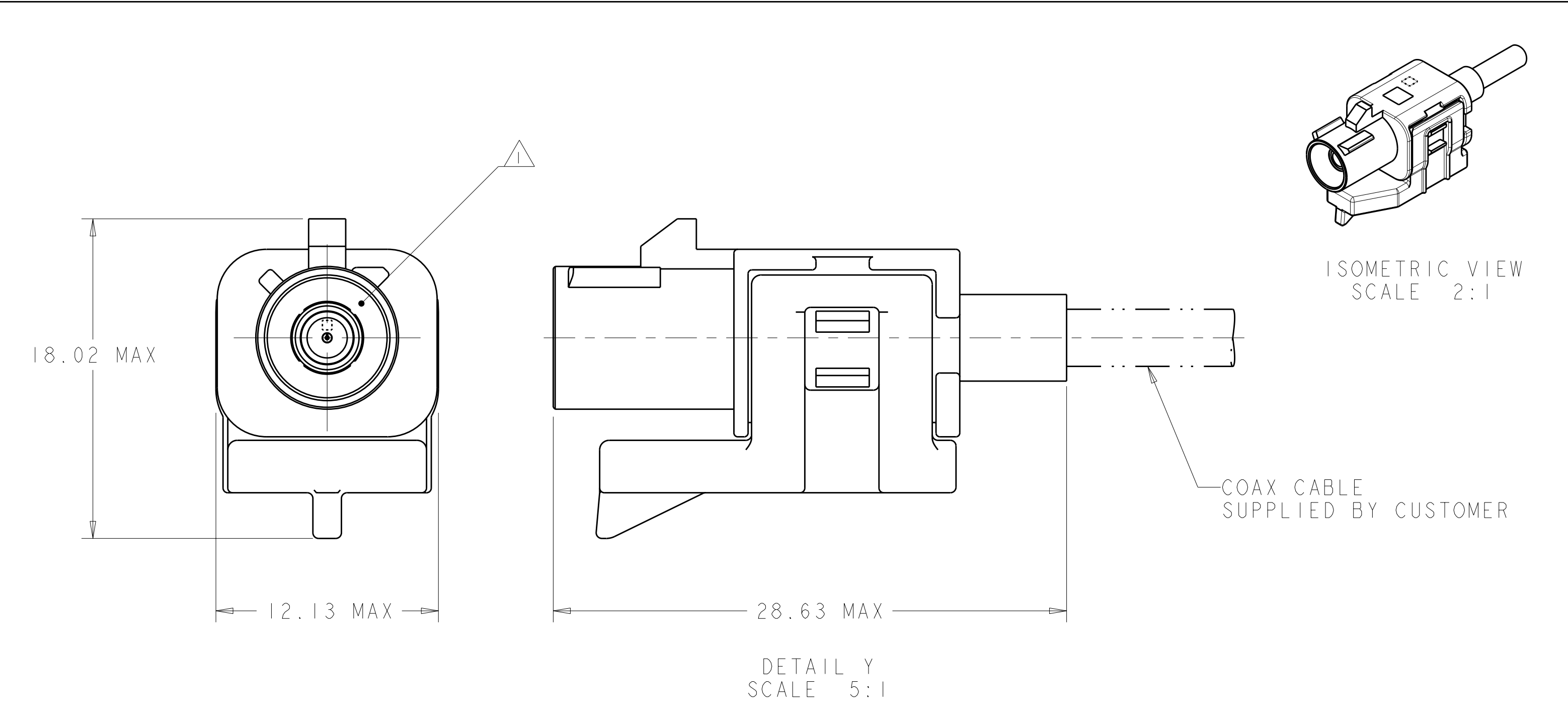
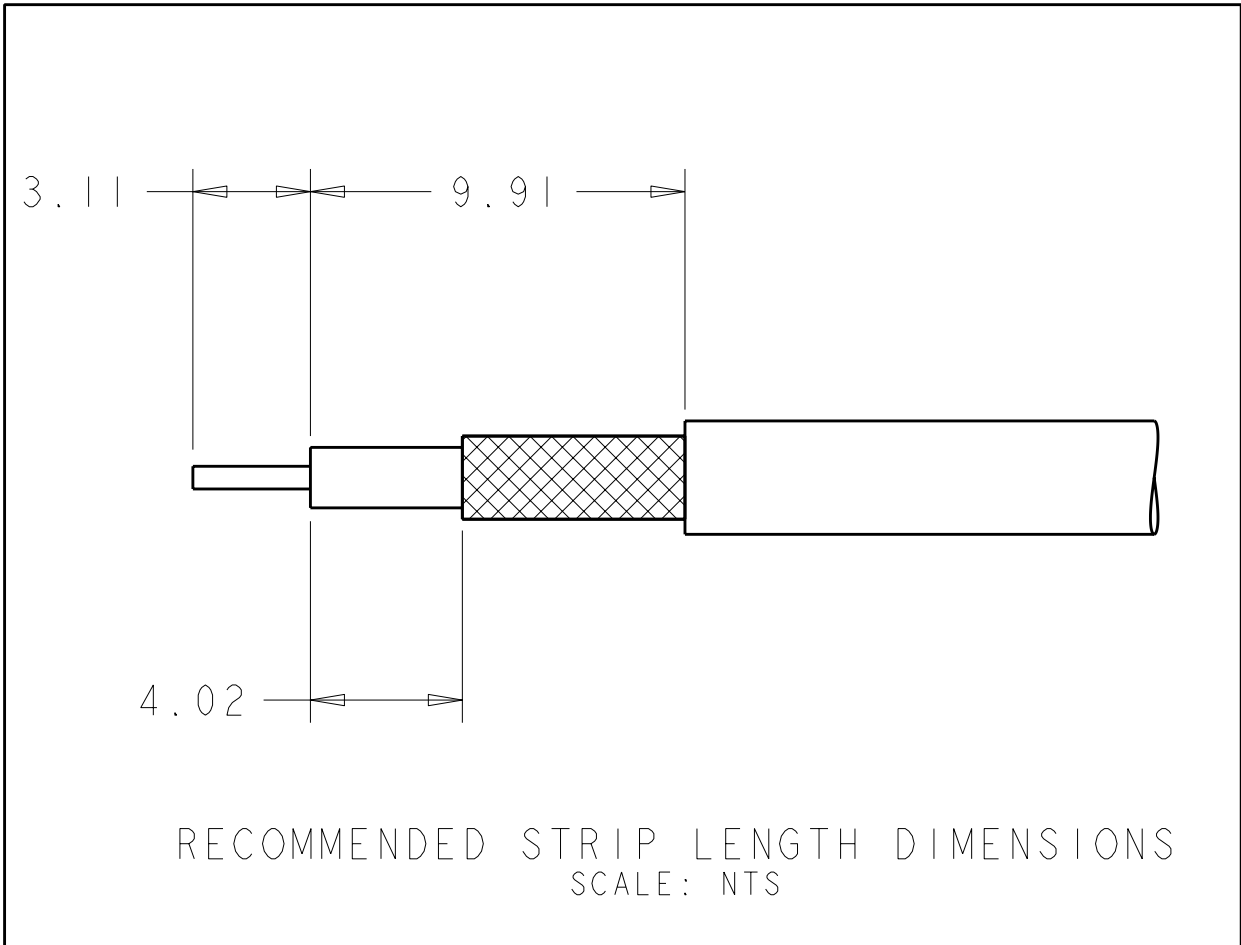


LOC	DIST	REV	DATE	BY	APPD
IN	00				
C1		REVISED PER ECO-013737	30JUN2010	DLD	LLV
C2		ECO-12-004856	29MAR2012	KP	LV



1. JACK INTERFACE PER DIN 72594-1, ROAD VEHICLES - RADIO FREQUENCY INTERFACE - DIMENSIONS AND ELECTRICAL REQUIREMENTS.
2. JACK SUBASSEMBLY WILL ACCEPT 1.5D-2VS OR 1.5C-2V COAXIAL CABLE.
3. SEE INSTRUCTION SHEET 408-10028.
4. PIN CONTACT 1438890-8 MUST BE PURCHASED SEPARATELY FOR 1.5D-2VS CABLE.  
 PIN CONTACT 1438890-9 MUST BE PURCHASED SEPARATELY FOR 1.5C-2V CABLE.
5. THIS PRODUCT HAS NOT COMPLETED VALIDATION TESTING ON 1.5C-2V CABLE.



PER DETAIL Y	PER DETAIL K	K	GRAY	1438894-2	CURRY	1-1438887-0	6-1924133-0
PER DETAIL Y	PER DETAIL H	H	GRAY	1438894-2	HEATHER VIOLET	1438887-8	5-1924133-8
PER DETAIL Y	PER DETAIL F	F	GRAY	1438894-2	NUT BROWN	1438887-6	5-1924133-6
PER DETAIL Y	PER DETAIL E	E	GRAY	1438894-2	LEAF GREEN	1438887-5	5-1924133-5
PER DETAIL Y	PER DETAIL D	D	GRAY	1438894-2	CLARET VIOLET	1438887-4	5-1924133-4
PER DETAIL Y	PER DETAIL C	C	GRAY	1438894-2	SIGNAL BLUE	1438887-3	5-1924133-3
PER DETAIL Y	PER DETAIL B	B	GRAY	1438894-2	SIGNAL WHITE	1438887-2	5-1924133-2
PER DETAIL X	PER DETAIL K	K	RED	1438888-1	CURRY	1-1438887-0	1-1924133-0
PER DETAIL X	PER DETAIL H	H	RED	1438888-1	HEATHER VIOLET	1438887-8	1924133-8
PER DETAIL X	PER DETAIL F	F	RED	1438888-1	NUT BROWN	1438887-6	1924133-6
PER DETAIL X	PER DETAIL E	E	RED	1438888-1	LEAF GREEN	1438887-5	1924133-5
PER DETAIL X	PER DETAIL D	D	RED	1438888-1	CLARET VIOLET	1438887-4	1924133-4
PER DETAIL X	PER DETAIL C	C	RED	1438888-1	SIGNAL BLUE	1438887-3	1924133-3
PER DETAIL X	PER DETAIL B	B	RED	1438888-1	SIGNAL WHITE	1438887-2	1924133-2
ASSEMBLY	KEYING	CODING	LOCK COLOR	LOCK PART NUMBER	HOUSING COLOR	JACK HOUSING PART NUMBER	PART NUMBER

**OBSELETE**

**OBSELETE**

THIS DRAWING IS A CONTROLLED DOCUMENT.

DIMENSIONS: mm  
 TOLERANCES UNLESS OTHERWISE SPECIFIED:  
 9 PLC ±  
 1 PLC ±0.25  
 5 PLC ±  
 4 PLC ±  
 ANGLES ±  
 FINISH

MATERIAL: -  
 FINISH: -

APPROVED: J.W. HALL 17OCT2006  
 NAME: JACK KIT, UNASSEMBLED, 1 POSITION, 1.5D-2VS OR 1.5C-2V, FAKRA  
 APPLICATION SPEC: 114-13157  
 WEIGHT: -  
 CUSTOMER DRAWING

DATE: 09OCT2006  
 CHK: J.W. HALL 17OCT2006  
 APVD: J.W. HALL 17OCT2006

SIZE: A1  
 CAGE CODE: 1100779  
 DRAWING NO: C=1924133  
 RESTRICTED TO: -

SCALE: 4:1 SHEET 1 OF 2 REV: C2

THIS DRAWING IS UNPUBLISHED. RELEASED FOR PUBLICATION 20  
 BY: ALL RIGHTS RESERVED.

LOC	DIST	REVISIONS			
		REV	DATE	DWN	APVD
1N	00	-	SEE SHEET 1	-	-



DETAIL B  
SCALE 5:1



DETAIL C  
SCALE 5:1



DETAIL D  
SCALE 5:1



DETAIL E  
SCALE 5:1



DETAIL F  
SCALE 5:1



DETAIL H  
SCALE 5:1



DETAIL K  
SCALE 5:1

THIS DRAWING IS A CONTROLLED DOCUMENT.		DWN: D. J. HARDY 09OCT2006	TE Connectivity
DIMENSIONS: mm		CHK: J. W. HALL 17OCT2006	
TOLERANCES UNLESS OTHERWISE SPECIFIED: 9 PLC ± 1 PLC ±0.25 5 PLC ± 4 PLC ± ANGLES ± FINISH		APVD: J. W. HALL 17OCT2006	NAME: JACK KIT, UNASSEMBLED, 1 POSITION, 1.5D-2VS OR 1.5C-2V, FAKRA
MATERIAL: -		PRODUCT SPEC: -	SIZE: A100779
FINISH: -		APPLICATION SPEC: 114-13157	DRAWING NO: C=1924133
CUSTOMER DRAWING		WEIGHT: -	RESTRICTED TO: -
		SCALE: 4:1	SHEET 2 OF 2
			REV: C2