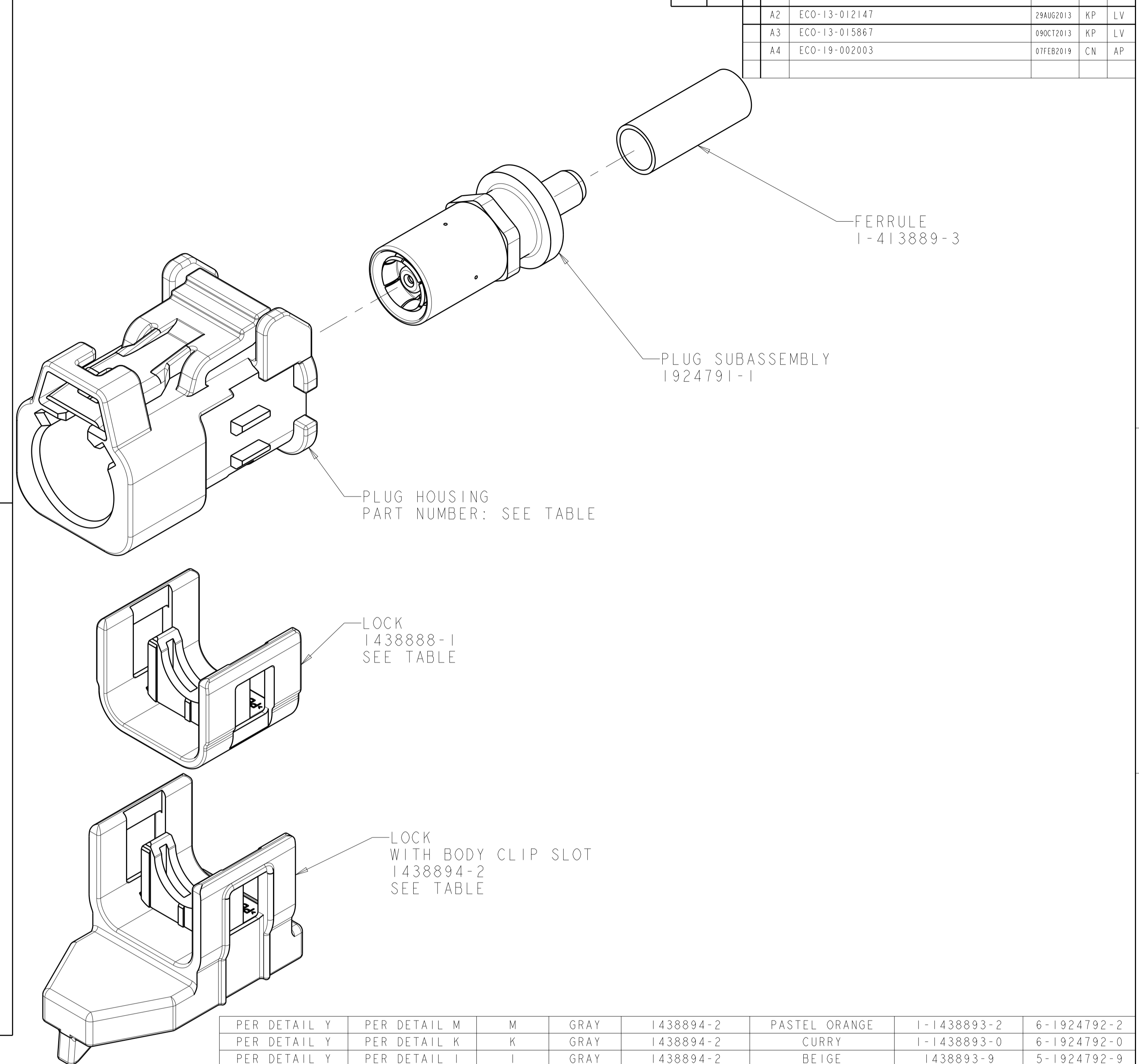
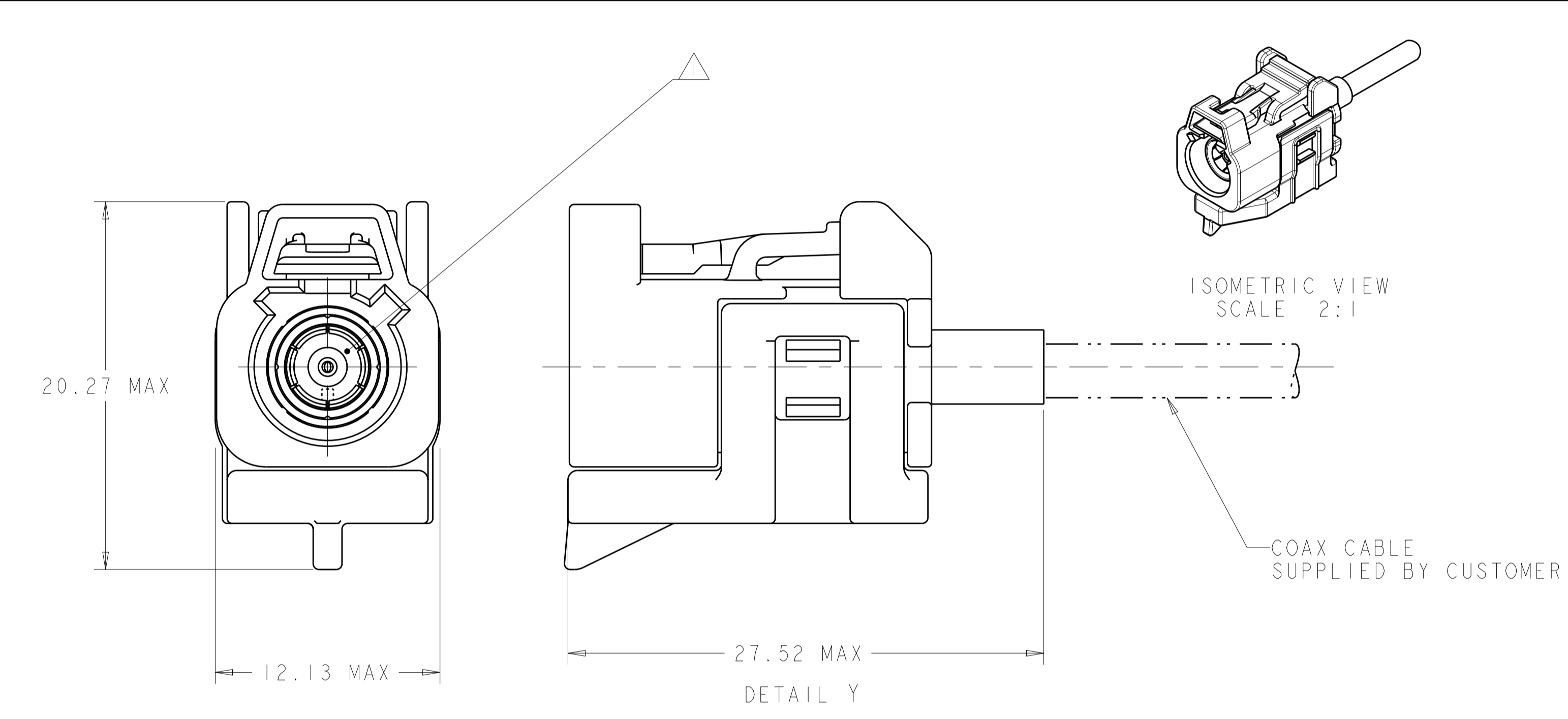
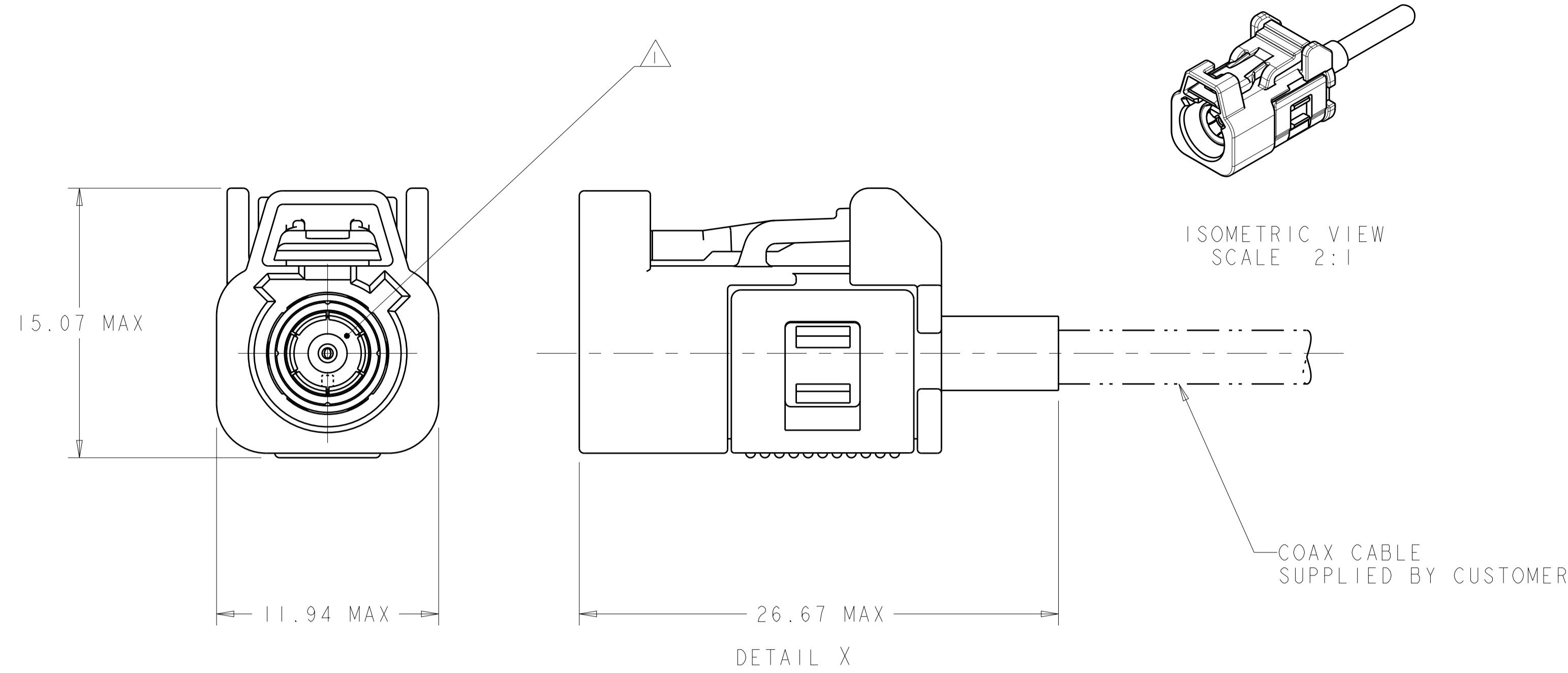
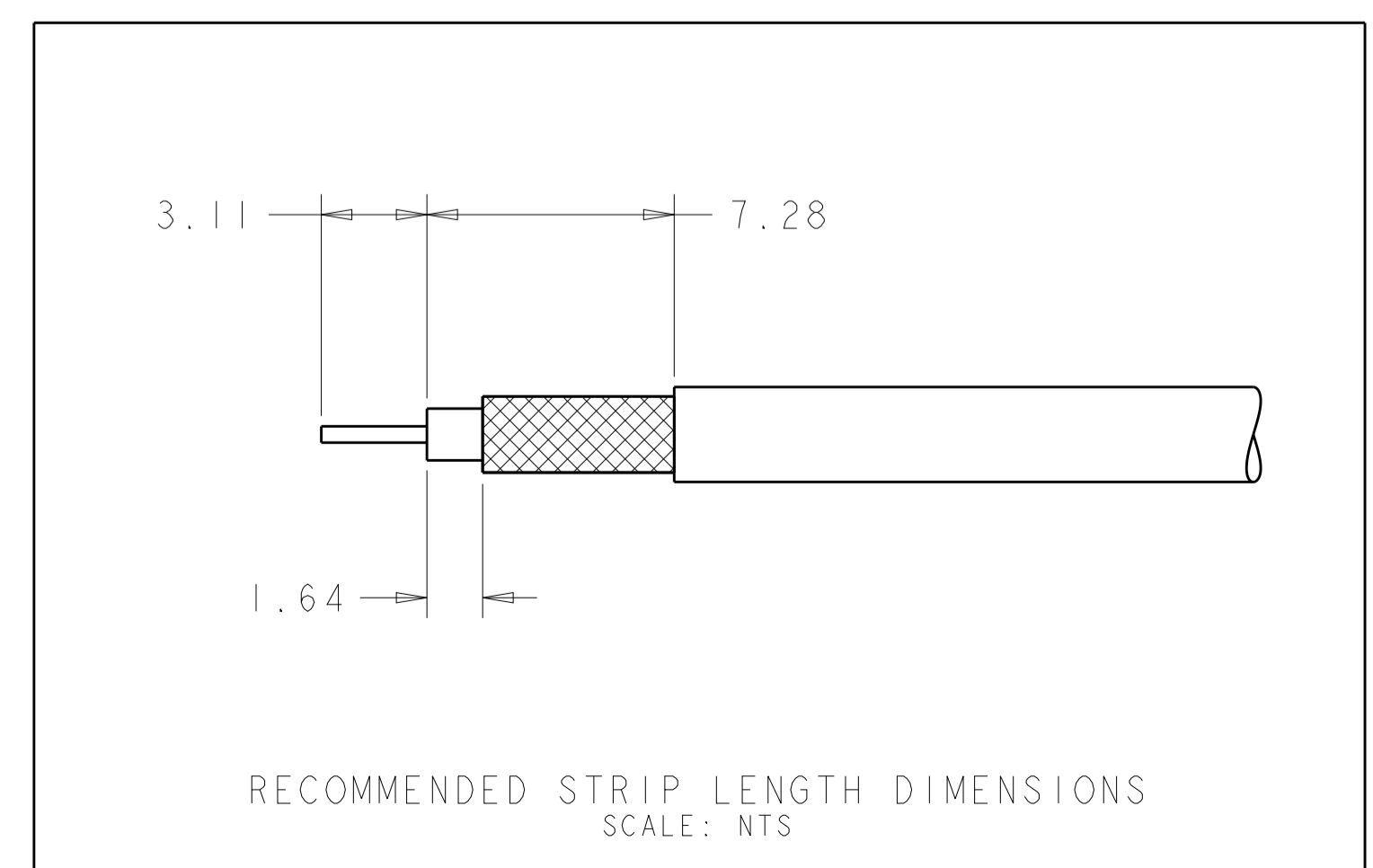


LOC	DIST	REVISIONS			
P	LTN	DESCRIPTION	DATE	DWN	APVD
A2	ECO-13-012147		29AUG2013	KP	LV
A3	ECO-13-015867		09OCT2013	KP	LV
A4	ECO-19-002003		07FEB2019	CN	AP



⚠ PLUG ACCEPTS JACKS MEETING DIN 72594-1, ROAD VEHICLES - RADIO FREQUENCY INTERFACE - DIMENSIONS AND ELECTRICAL REQUIREMENTS.

2. PLUG SUBASSEMBLY WILL ACCEPT RG-316, RG-174 OR RG-174 LOW LOSS COAXIAL CABLE.
3. SEE INSTRUCTION SHEET 408-10028.
4. SOCKET CONTACT 1438896-4 MUST BE PURCHASED SEPERATELY.
5. SUBASSY 1924937-1 (EXTENDED DIELECTRIC) IS ALLOWED AS AN ALTERNATE TO SUBASSY 1924791-1.



PER DETAIL Y	PER DETAIL M	M	GRAY	1438894-2	PASTEL ORANGE	1-1438893-2	6-1924792-2
PER DETAIL Y	PER DETAIL K	K	GRAY	1438894-2	CURRY	1-1438893-0	6-1924792-0
PER DETAIL Y	PER DETAIL I	I	GRAY	1438894-2	BEIGE	1438893-9	5-1924792-9
PER DETAIL Y	PER DETAIL H	H	GRAY	1438894-2	HEATHER VIOLET	1438893-8	5-1924792-8
PER DETAIL Y	PER DETAIL G	G	GRAY	1438894-2	BLUE GREY	1438893-7	5-1924792-7
PER DETAIL Y	PER DETAIL F	F	GRAY	1438894-2	NUT BROWN	1438893-6	5-1924792-6
PER DETAIL Y	PER DETAIL E	E	GRAY	1438894-2	LEAF GREEN	1438893-5	5-1924792-5
PER DETAIL Y	PER DETAIL D	D	GRAY	1438894-2	CLARET VIOLET	1438893-4	5-1924792-4
PER DETAIL Y	PER DETAIL C	C	GRAY	1438894-2	SIGNAL BLUE	1438893-3	5-1924792-3
PER DETAIL Y	PER DETAIL B	B	GRAY	1438894-2	SIGNAL WHITE	1438893-2	5-1924792-2
PER DETAIL Y	PER DETAIL A	A	GRAY	1438894-2	JET BLACK	1438893-1	5-1924792-1
PER DETAIL X	PER DETAIL M	M	RED	1438888-1	PASTEL ORANGE	1-1438893-2	1-1924792-2
PER DETAIL X	PER DETAIL K	K	RED	1438888-1	CURRY	1-1438893-0	1-1924792-0
PER DETAIL X	PER DETAIL I	I	RED	1438888-1	BEIGE	1438893-9	1924792-9
PER DETAIL X	PER DETAIL H	H	RED	1438888-1	HEATHER VIOLET	1438893-8	1924792-8
PER DETAIL X	PER DETAIL G	G	RED	1438888-1	BLUE GREY	1438893-7	1924792-7
PER DETAIL X	PER DETAIL F	F	RED	1438888-1	NUT BROWN	1438893-6	1924792-6
PER DETAIL X	PER DETAIL E	E	RED	1438888-1	LEAF GREEN	1438893-5	1924792-5
PER DETAIL X	PER DETAIL D	D	RED	1438888-1	CLARET VIOLET	1438893-4	1924792-4
PER DETAIL X	PER DETAIL C	C	RED	1438888-1	SIGNAL BLUE	1438893-3	1924792-3
PER DETAIL X	PER DETAIL B	B	RED	1438888-1	SIGNAL WHITE	1438893-2	1924792-2
PER DETAIL X	PER DETAIL A	A	RED	1438888-1	JET BLACK	1438893-1	1924792-1
ASSEMBLY	KEYING	CODING	LOCK COLOR	LOCK PART NUMBER	HOUSING COLOR	PLUG HOUSING PART NUMBER	PART NUMBER

THIS DRAWING IS A CONTROLLED DOCUMENT.

DIMENSIONS: mm

TOLERANCES UNLESS OTHERWISE SPECIFIED:

0 PLC	±
1 PLC	±0.25
2 PLC	±
3 PLC	±
4 PLC	±
ANGLES	±
FINISH	±

MATERIAL: .

FINISH: .

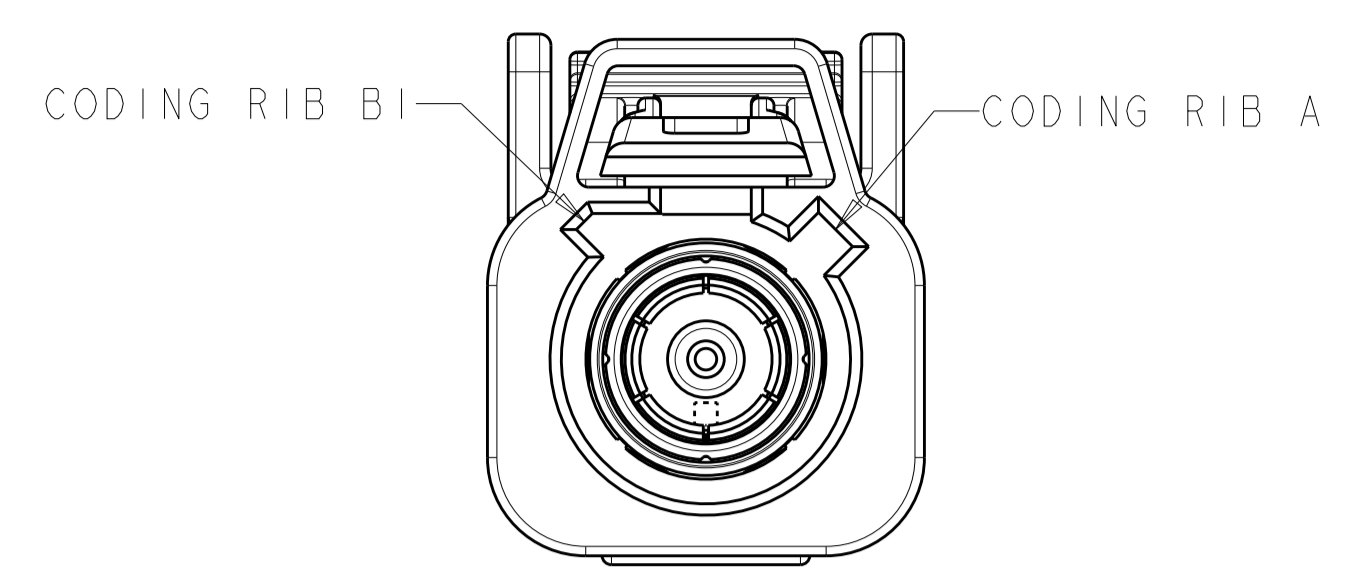
THIS DRAWING IS A CONTROLLED DOCUMENT. DWN: R. PETERSON 01OCT2007, CHK: L. VARSIK 01OCT2007, APVD: L. VARSIK 01OCT2007

NAME: PLUG KIT, UNASSEMBLED, 1 POSITION, RG-316 OR RG-174, 180 DEGREE, FAKRA, SMB

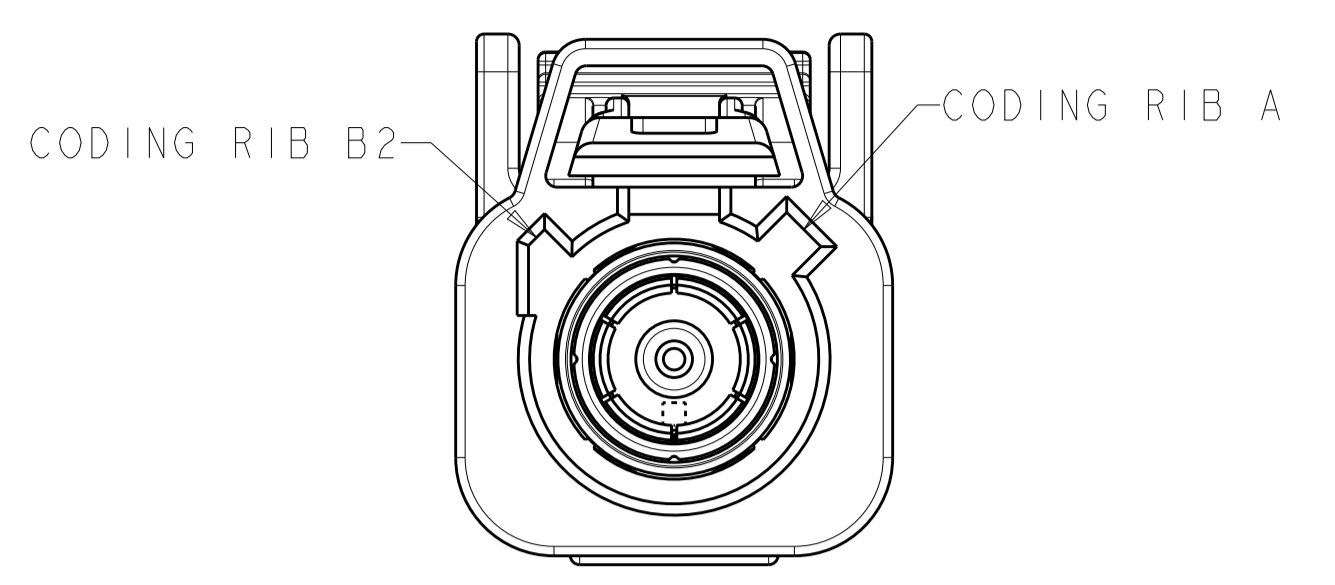
SIZE: 114-13157, WEIGHT: ., CUSTOMER DRAWING

SCALE: 5:1, SHEET 1 OF 2, REV A4

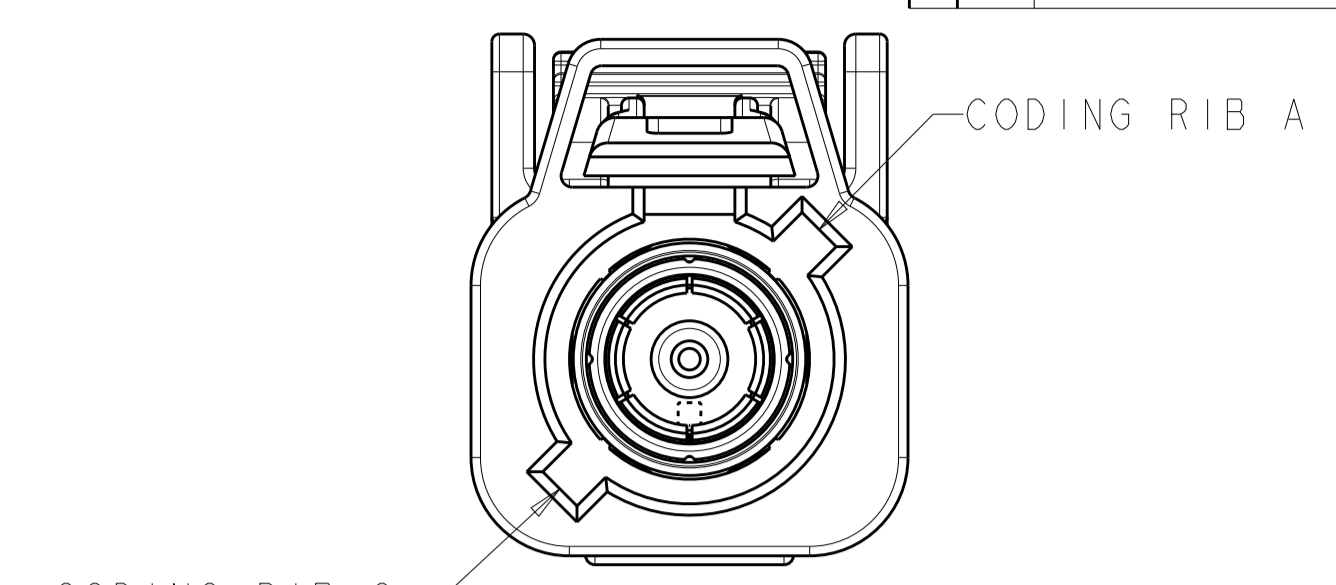
LOC		DIST		REVISIONS			
IN	00	P	LTN	DESCRIPTION	DATE	OWN	APVD
		-		SEE SHEET 1			



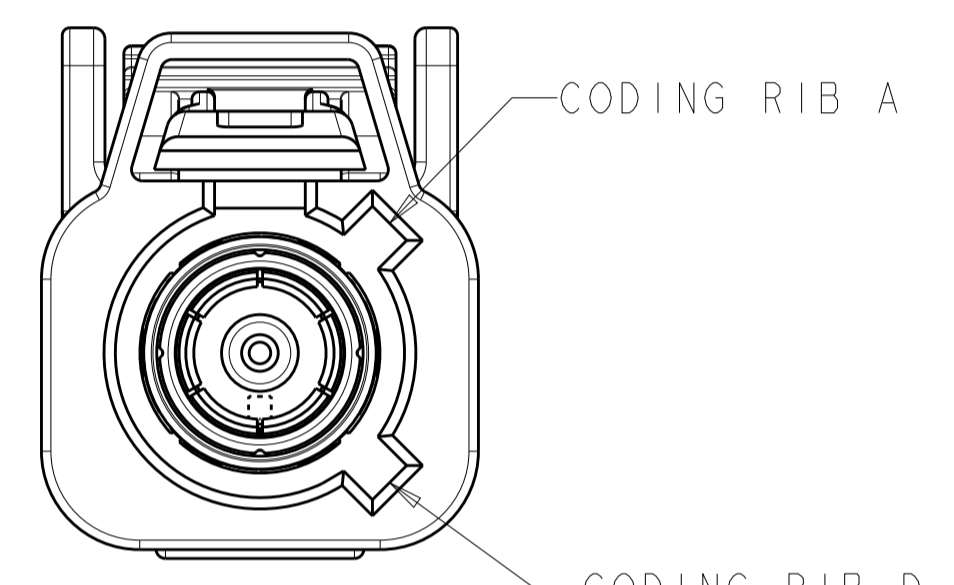
DETAIL A



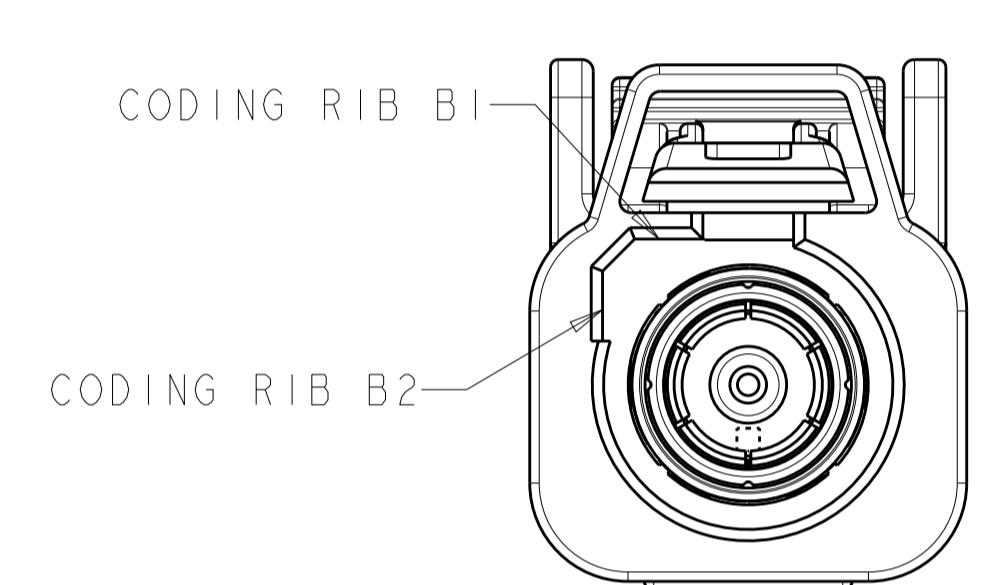
DETAIL B



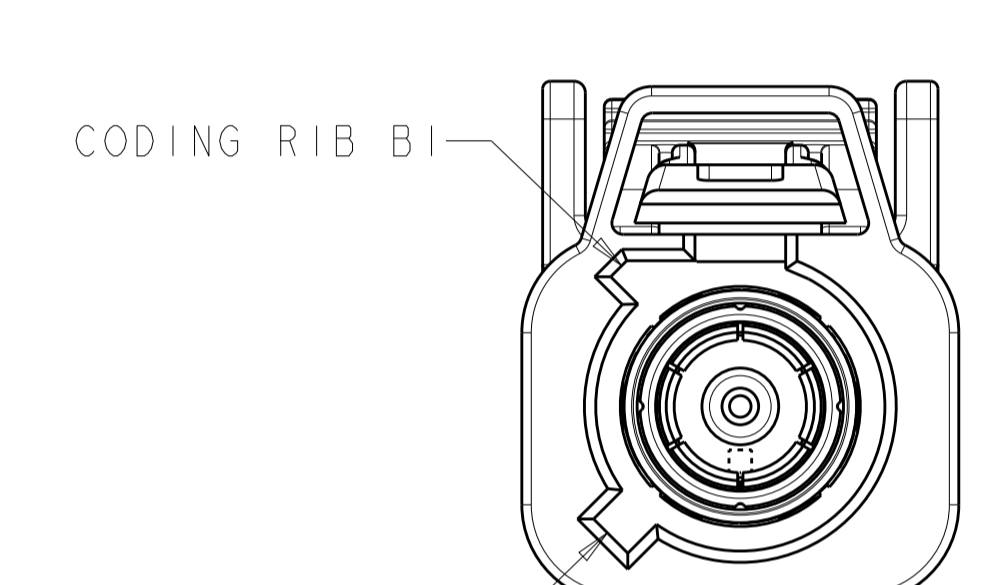
DETAIL C



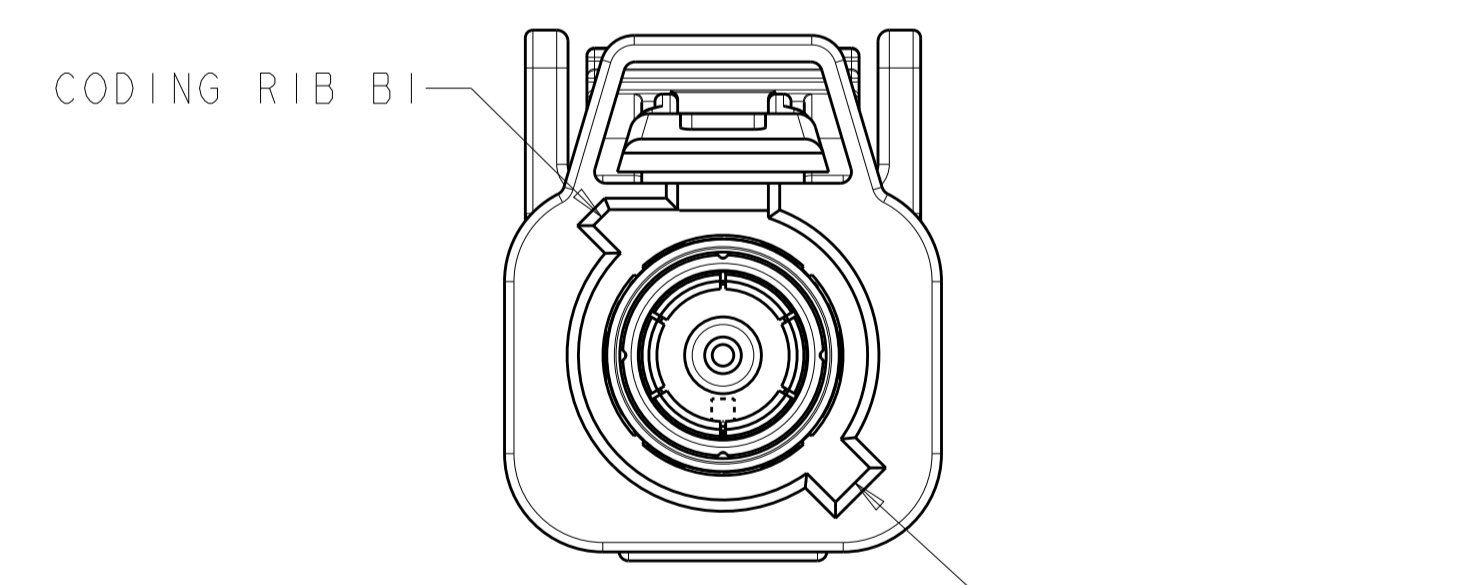
DETAIL D



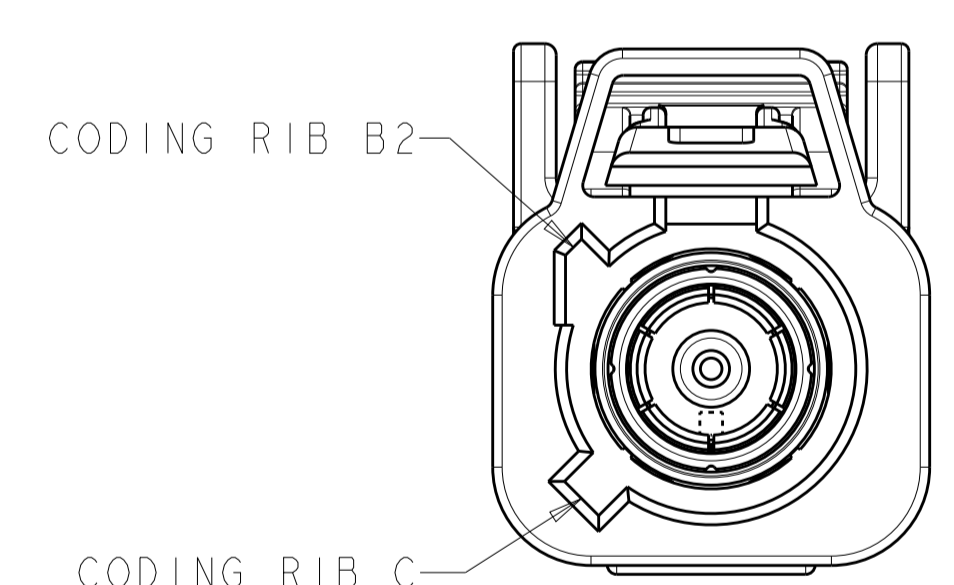
DETAIL E



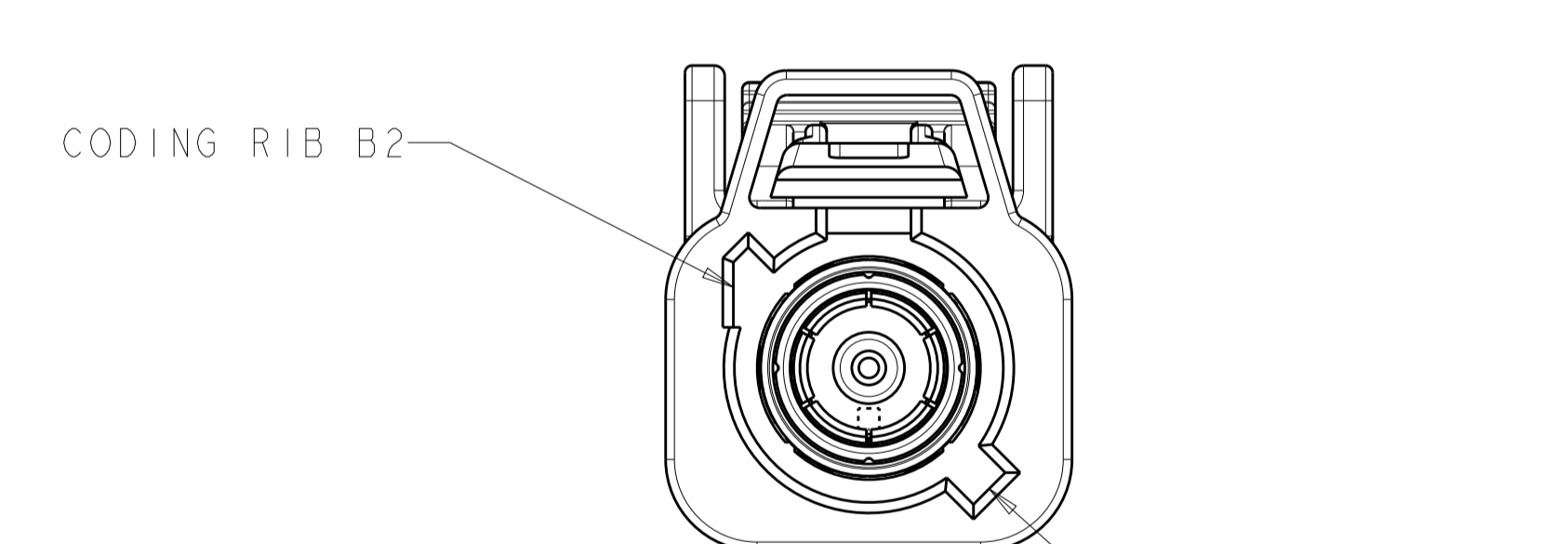
DETAIL F



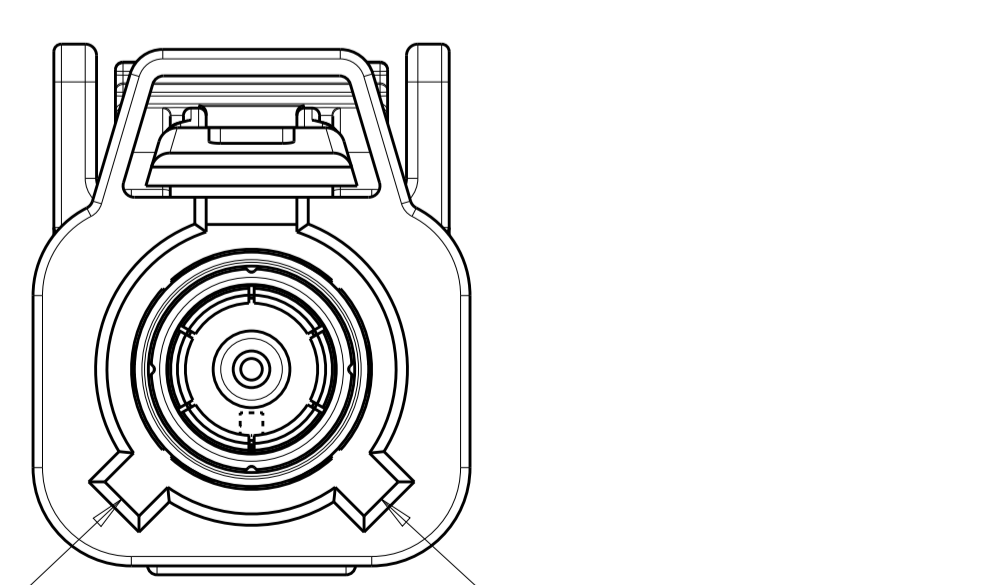
DETAIL G



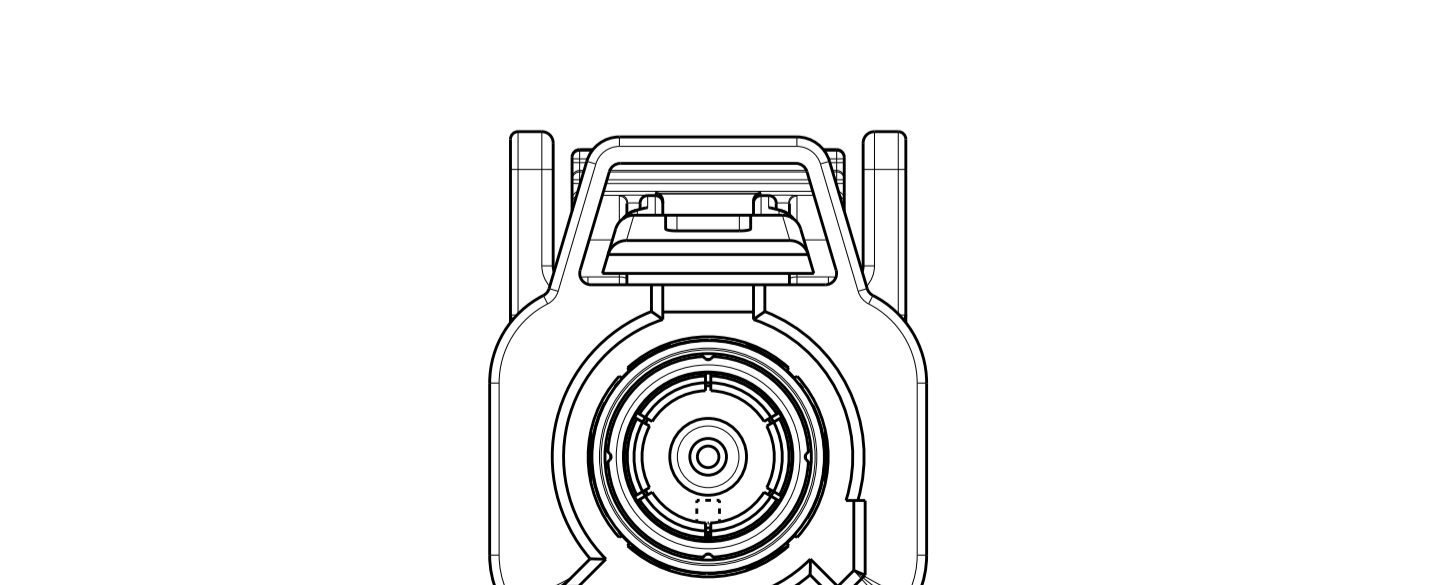
DETAIL H



DETAIL I



DETAIL K



DETAIL M

THIS DRAWING IS A CONTROLLED DOCUMENT.		OWN: R. PETERSON 01OCT2007	TE Connectivity
DIMENSIONS: mm		CHK: L. VARSIK 01OCT2007	
TOLERANCES UNLESS OTHERWISE SPECIFIED: 0 PLC ± 1 PLC ±0.25 2 PLC ± 3 PLC ± 4 PLC ± ANGLES ±		APVD: L. VARSIK 01OCT2007	NAME: PLUG KIT, UNASSEMBLED, 1 POSITION, RG-316 OR RG-174, 180 DEGREE, FAKRA, SMB
MATERIAL: -		FINISH: -	SIZE: A1
CUSTOMER DRAWING		WEIGHT: -	CAGE CODE: 114-13157
SCALE: 5:1		DRAWING NO: 1924792	
SHEET 2 OF 2		REV A4	