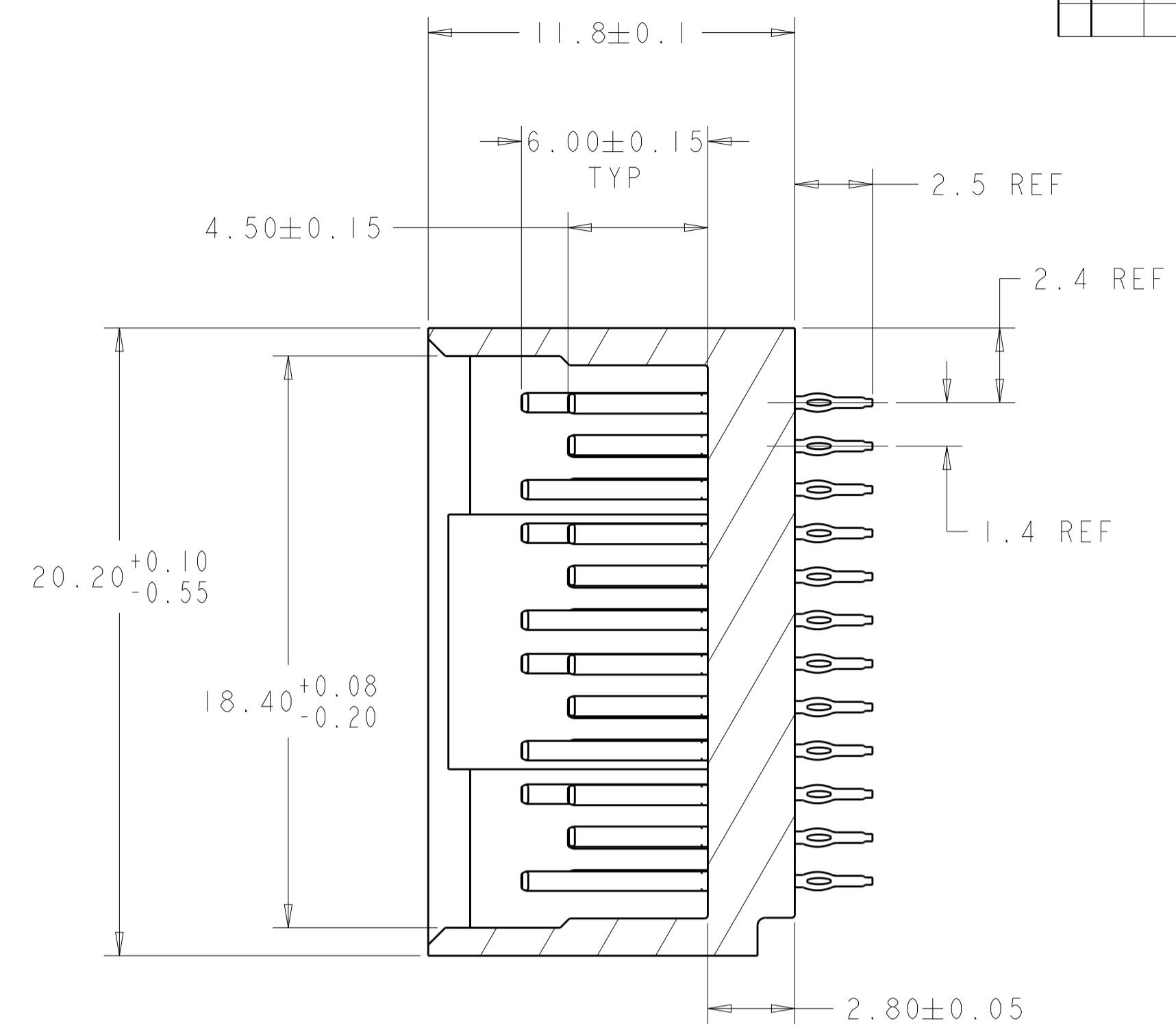
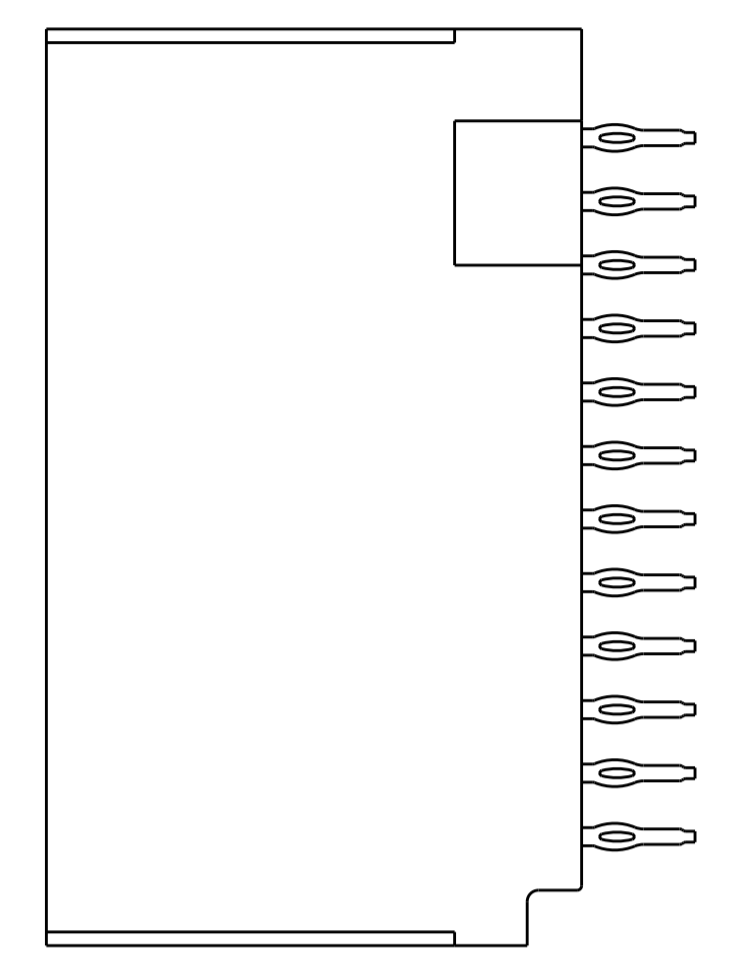
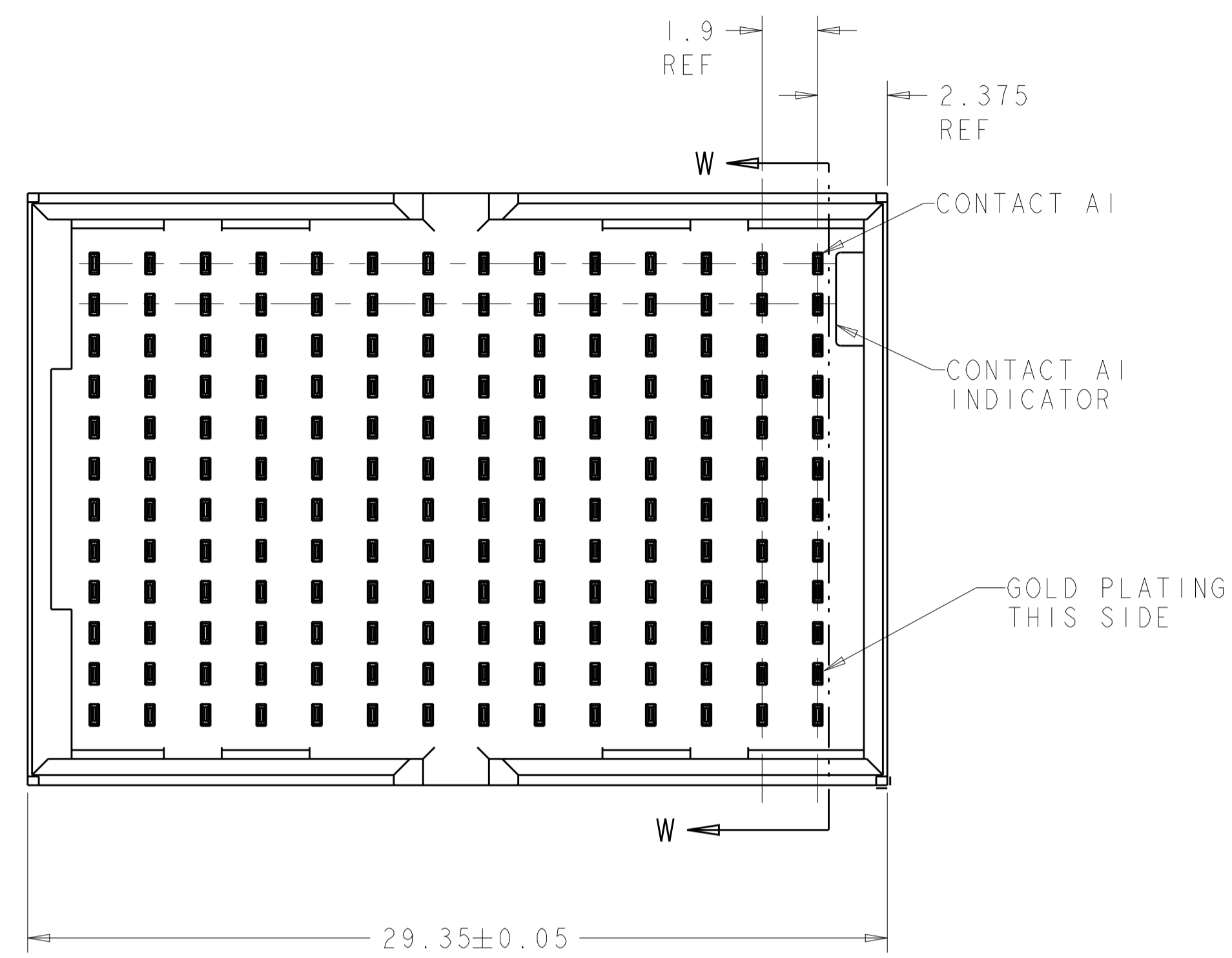
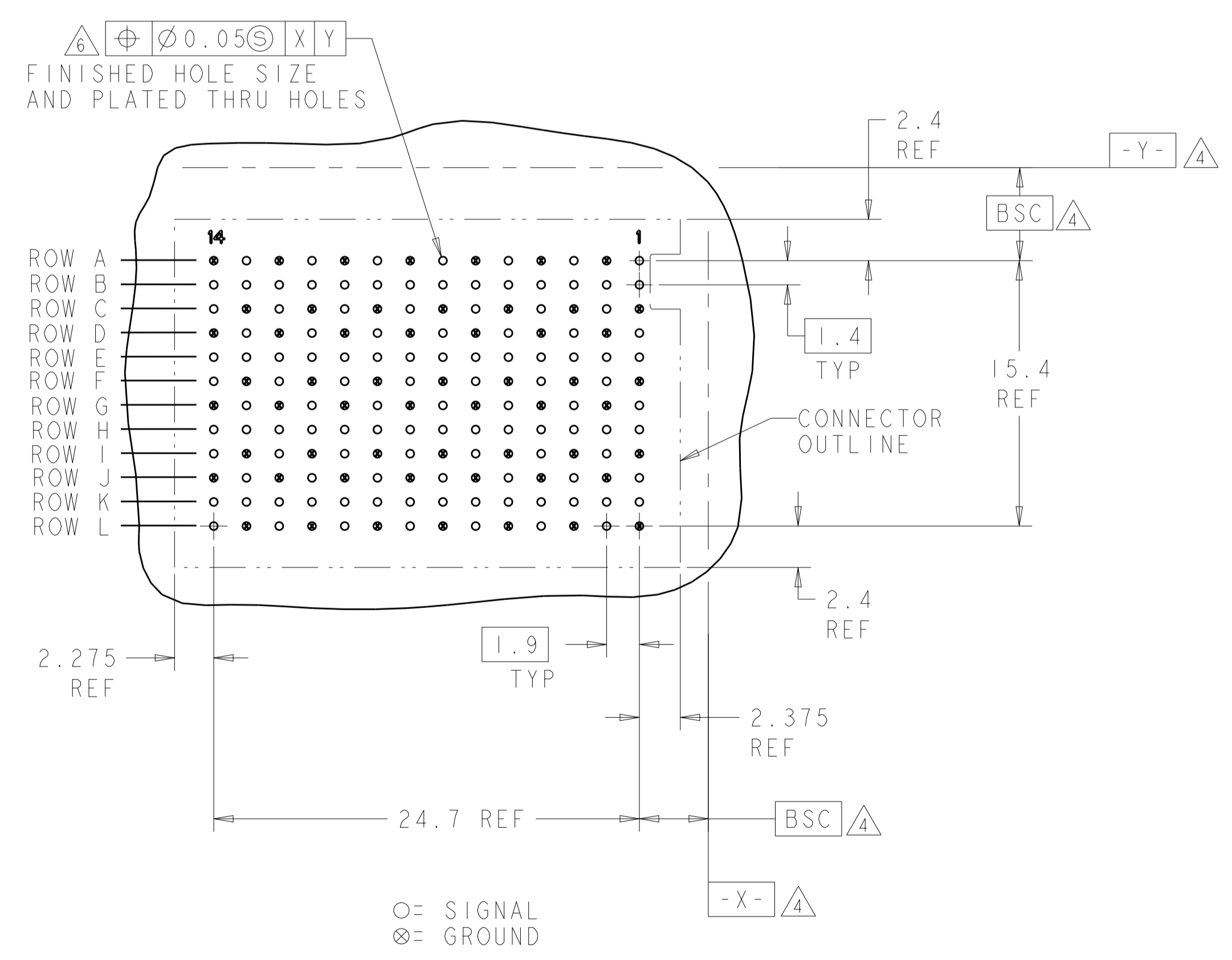
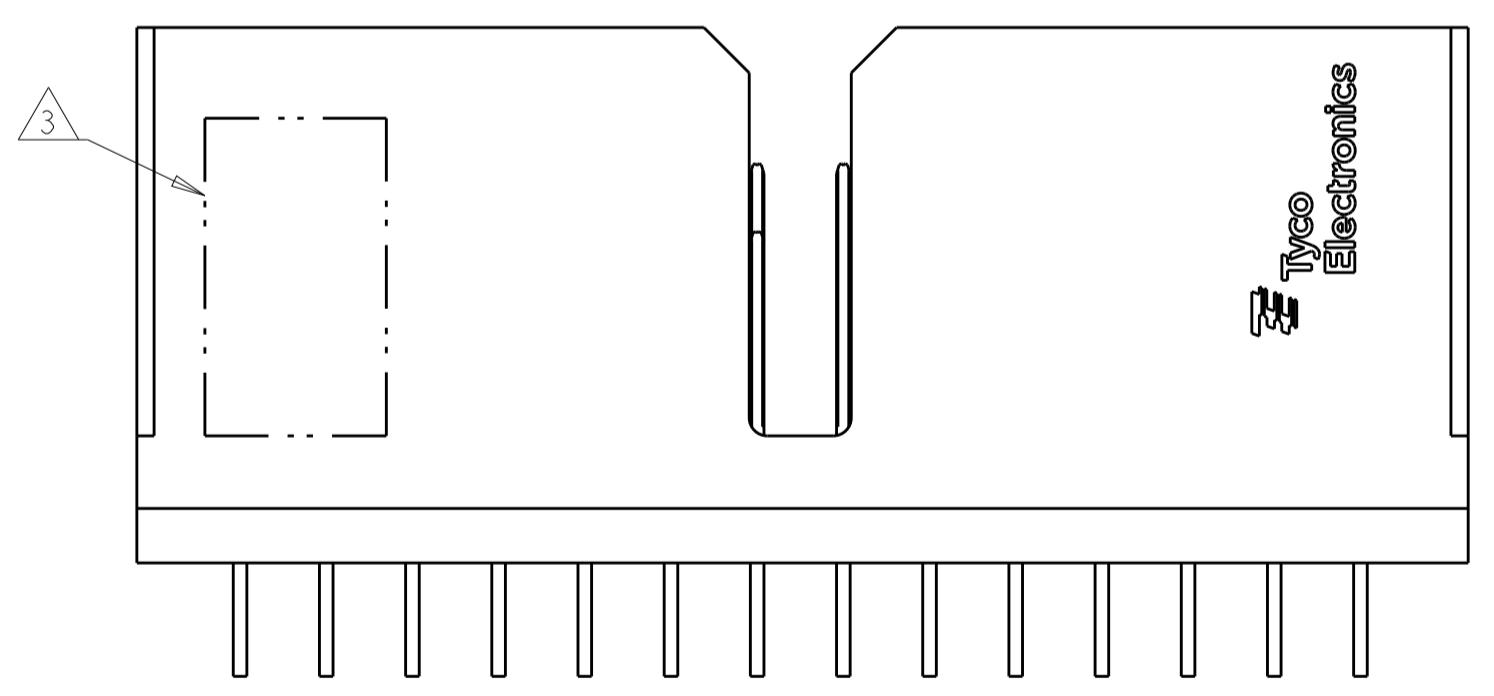


LOC	DIST	REVISIONS			
P	LTN	DESCRIPTION	DATE	DWN	APVD
E		REVISED PER ECO-13-010626	31JUL2013	KH	RP



SECTION W-W

- 1 MATERIAL:
CONTACT - PHOS BRONZE
HOUSING - LCP, UL 94V-0, COLOR - BLACK
- 2 FINISH:
CONTACT AREA FINISH CONFORMS TO THE REQUIREMENTS OF TE PRODUCT SPECIFICATION 108-2303; BASED ON TELCORDIA GR-1217-CORE FOR SYSTEM QUALITY LEVEL III APPLICATIONS IN CONTROLLED ENVIRONMENTS (CENTRAL OFFICE).
COMPLIANT PIN AREA- 0.5µm MIN MATTE TIN OVER 1.27µm MIN NICKEL.
- 3 CONNECTOR MARKED WITH PART NUMBER, DATE CODE AND STANDARD IN APPROXIMATE AREA SHOWN
- 4 DATUMS AND BASIC DIMENSIONS ESTABLISHED BY CUSTOMER.
- 5. CONTACT AREA LUBRICATED WITH BELLCORE APPROVED LUBRICANT. TECHNICAL REFERENCE GR-1217-CORE, ISSUE 1, NOVEMBER 1995.
- 6 REFERENCE APPLICATION SPEC 114-13202 FOR RECOMMENDED PLATED THRU HOLE DIAMETER AND PLATING THICKNESSES.



RECOMMENDED PB BOARD LAYOUT BACKPLANE COMPONENT SIDE SHOWN SCALE 4:1

1934290-1
PART NUMBER

THIS DRAWING IS A CONTROLLED DOCUMENT.		DWN B MCMASTER 18MAY07	TE Connectivity
DIMENSIONS: mm		CHK W DAVIS 18MAY07	
TOLERANCES UNLESS OTHERWISE SPECIFIED:		APVD W DAVIS 18MAY07	NAME HEADER ASSEMBLY, DOUBLE WALL, 4 PAIR 14 COLUMN TinMan
0 PLC ±	1 PLC ±	PRODUCT SPEC	SIZE CAGE CODE DRAWING NO RESTRICTED TO
2 PLC ±	3 PLC ±	APPLICATION SPEC	A1 00779 C=1934290
4 PLC ±	ANGLES ±	FINISH	WEIGHT
MATERIAL	FINISH	APPROVALS	SCALE 6:1 SHEET 1 OF 1 REV E
CUSTOMER DRAWING			