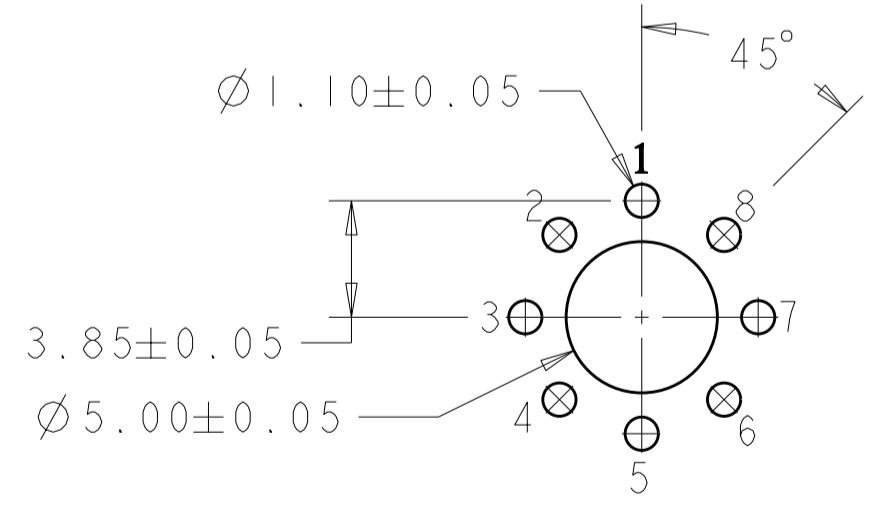
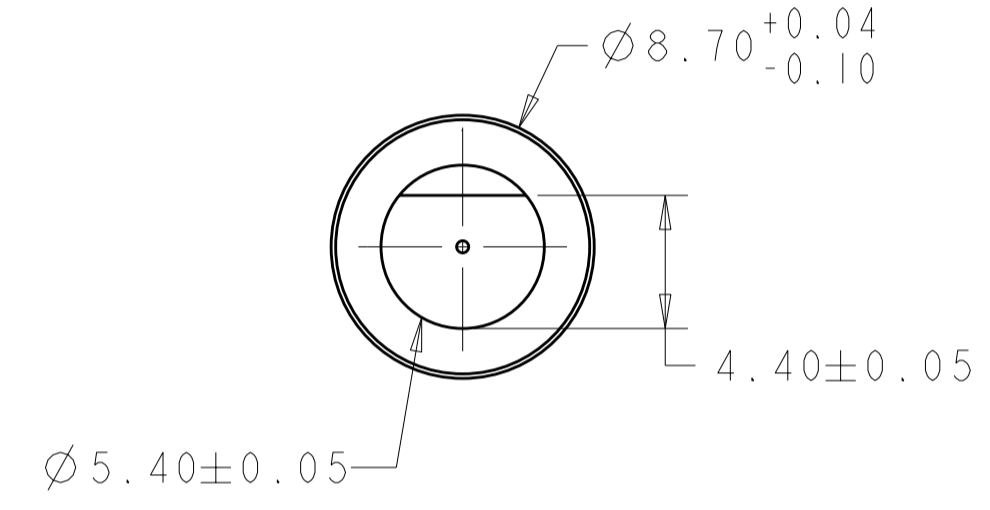
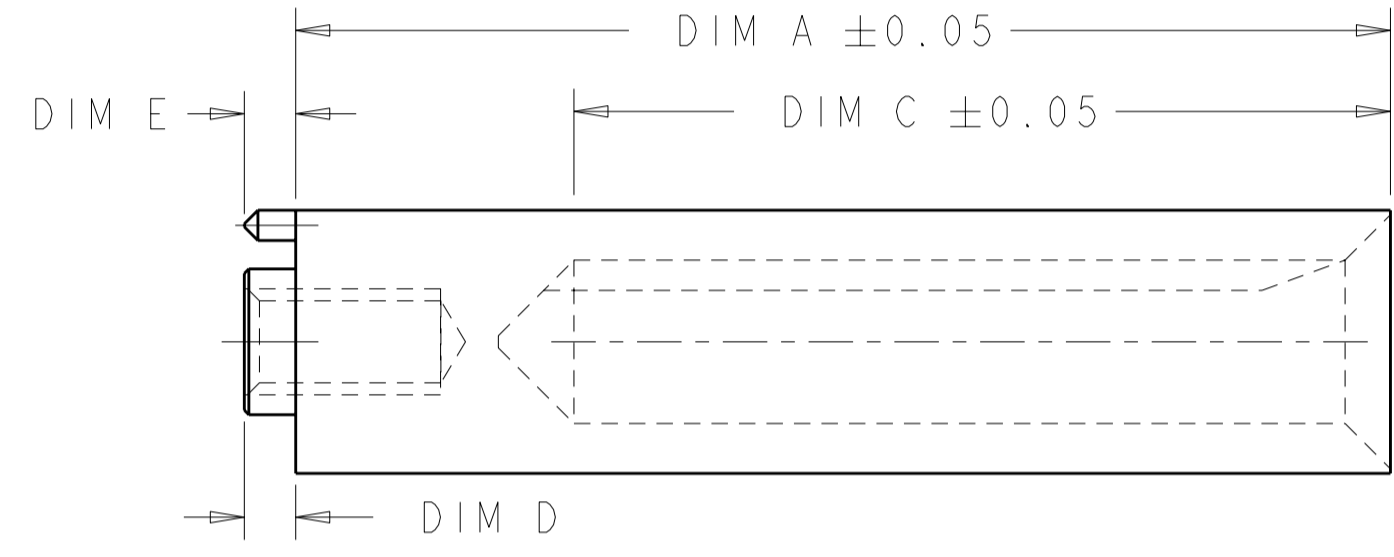
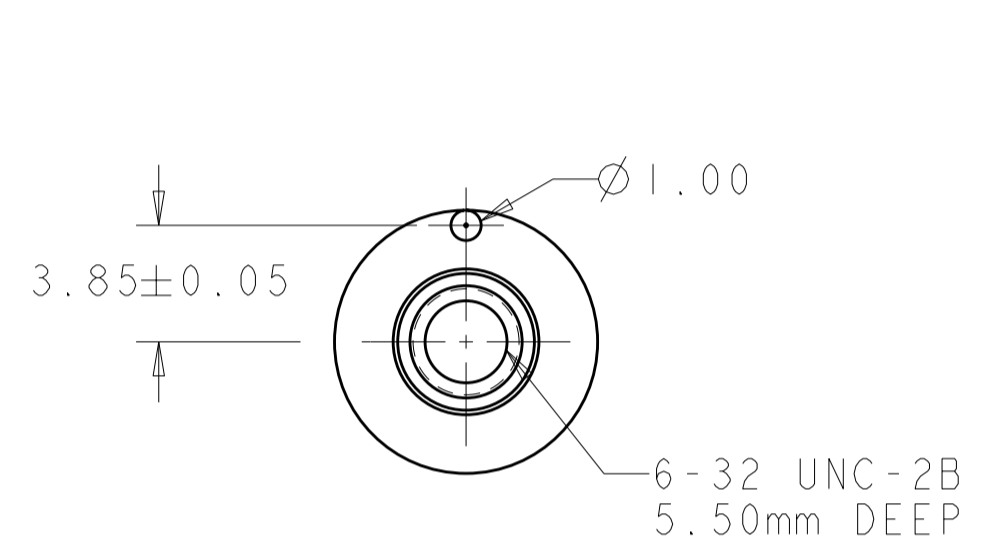


THIS DRAWING IS UNPUBLISHED. RELEASED FOR PUBLICATION 20
 © COPYRIGHT 20 BY TYCO ELECTRONICS CORPORATION. ALL RIGHTS RESERVED.

LOC	DIST	REVISIONS			
P	LTR	DESCRIPTION	DATE	DWN	APVD
AG	00				
	2	5.50 DP WAS 6.50	12MAY2009	WM	RP
	3	REVISED	17JUN2009	DH	DY
	A	RELEASED	23JUN2009	DH	DY

SCALE 4:1

1 MATERIAL: ZINC ALLOY DIE CASTING.
 2 FINISH: CHROMATE CONVERSION COATING.
 (ROHS COMPATIBLE).



RECOMMENDED P.C. BOARD LAYOUT
 SHOWN IN KEYING POSITION 1 (CAN BE ROTATED IN 45° INCREMENTS
 WITH RECOMMENDED PIN FOR DIFFERENT KEYING POSITIONS 2 THROUGH 8)

2.20	2.20	27.0	36.2	1934988-6
1.70	1.70	30.0	39.2	1934988-5
1.70	1.70	18.0	27.2	1934988-4
1.70	1.70	6.0	15.2	1934988-3
1.70	1.70	3.0	12.2	1934988-2
1.70	1.70	27.0	36.2	1934988-1
DIM E	DIM D	DIM C	DIM A	Part Number

THIS DRAWING IS A CONTROLLED DOCUMENT FOR TYCO ELECTRONICS CORPORATION IT IS SUBJECT TO CHANGE AND THE CONTROLLING ENGINEERING ORGANIZATION SHOULD BE CONTACTED FOR THE LATEST REVISION.		DWN W. MCGEE 23-Jun-09	Tyco Electronics Harrisburg, PA 17105-3608	
DIMENSIONS: mm		CHK R. PATTERSON 12MAY08	NAME MODULE, VERTICAL FEMALE UNIVERSAL POWER MODULE	
TOLERANCES UNLESS OTHERWISE SPECIFIED: 0 PLC ± 1 PLC ± 2 PLC ± 3 PLC ±0.013 4 PLC ± ANGLES ±30° FINISH		APVD R. PATTERSON 12MAY08	RESTRICTED TO	
MATERIAL		PRODUCT SPEC -	SIZE A200779	CAGE CODE C-1934988
1		APPLICATION SPEC -	DRAWING NO 1934988	
2		WEIGHT -	SCALE 3:1	
CUSTOMER DRAWING		SHEET 1 OF 1		REV A