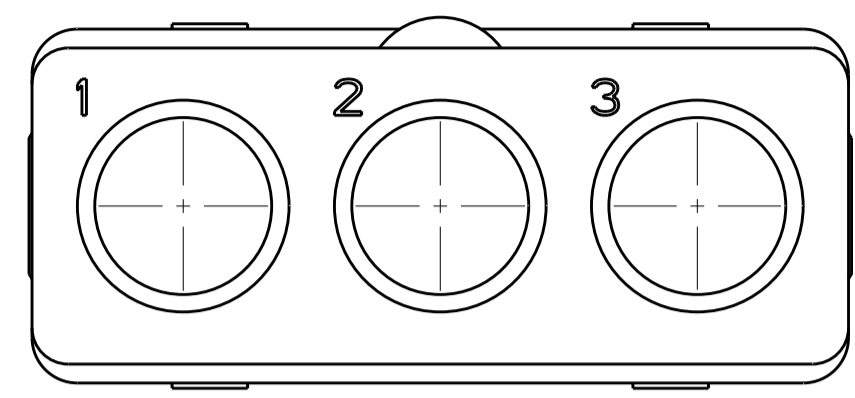
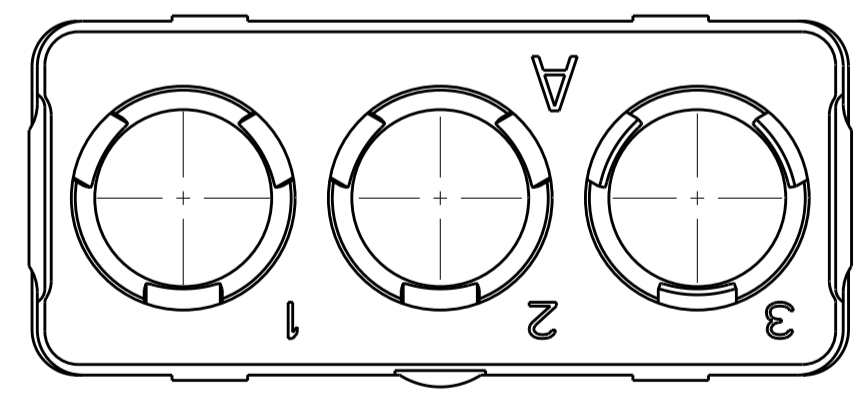
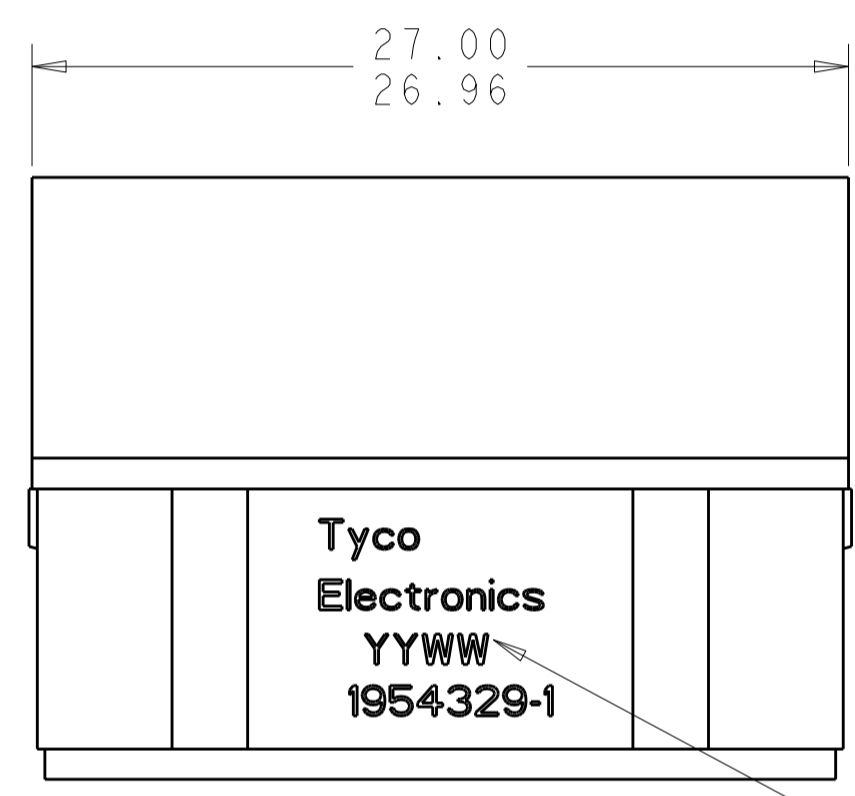
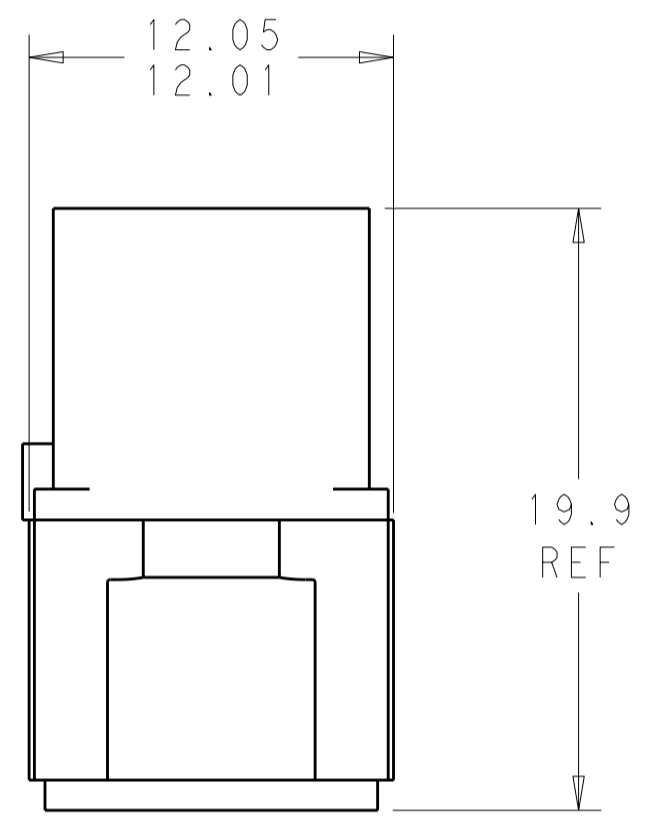


THIS DRAWING IS UNPUBLISHED. RELEASED FOR PUBLICATION 20
 © COPYRIGHT 20 BY TYCO ELECTRONICS CORPORATION. ALL INTERNATIONAL RIGHTS RESERVED.

LOC		DIST		REVISIONS			
P	LTR	DESCRIPTION	DATE	DWN	APVD		
	A	INITIAL RELEASE	20OCT2010	CCT	K.H		



MATING FACE



① FRONT & REAR INSULATOR: HIGH-TEMP THERMOPLASTIC OR THERMOSET EPOXY PER ASTM D5948.
 CONTACT RETENTION CLIPS: STAINLESS STEEL PER AISI 302 OR COPPER ALLOY PER ASTM B194

② DATE CODE: YEAR & WEEK (YY WW)

3. DESCRIPTIVE PART NUMBER GPRBNP3SA
 THIS INSERT CONTAINS: 3 CAVITIES FOR SIZE 5 SOCKET POWER CONTACTS

4. THIS PRODUCT IS SOLD BY TYCO ELECTRONICS UNDER A LICENSE FROM RADIAL SA.

1954329-1
 PART NUMBER

<small>THIS DRAWING IS A CONTROLLED DOCUMENT FOR TYCO ELECTRONICS CORPORATION. IT IS SUBJECT TO CHANGE AND THE CONTROLLING ENGINEERING ORGANIZATION SHOULD BE CONTACTED FOR THE LATEST REVISION.</small>		DWN: CC THOMAS 20OCT2010 CHK: K HOGAN 20OCT2010 APVD: K HOGAN 20OCT2010	Tyco Electronics Tyco Electronics Corporation Harrisburg, PA 17105-3608
DIMENSIONS: mm	TOLERANCES UNLESS OTHERWISE SPECIFIED: 0 PLC ±- 1 PLC ±0.5 2 PLC ±0.13 3 PLC ±0.013 4 PLC ±0.0001 ANGLES ±- FINISH	PRODUCT SPEC APPLICATION SPEC WEIGHT	NAME: INSERT ASSEMBLY, SOCKET, NON-ENVIRONMENTAL ARRANGEMENT P3, KEY A, GPRB SIZE: A2 CAGE CODE: 00779 DRAWING NO: 1954329 RESTRICTED TO: -
MATERIAL: -	CUSTOMER DRAWING	SCALE: 3:1	SHEET 1 OF 1 REV A