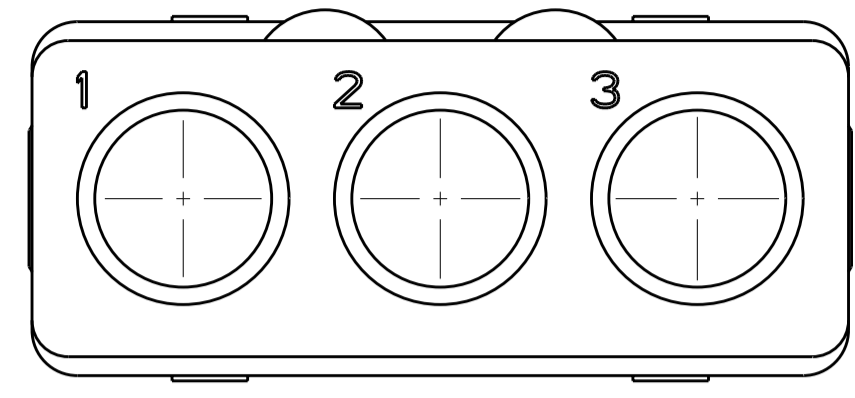
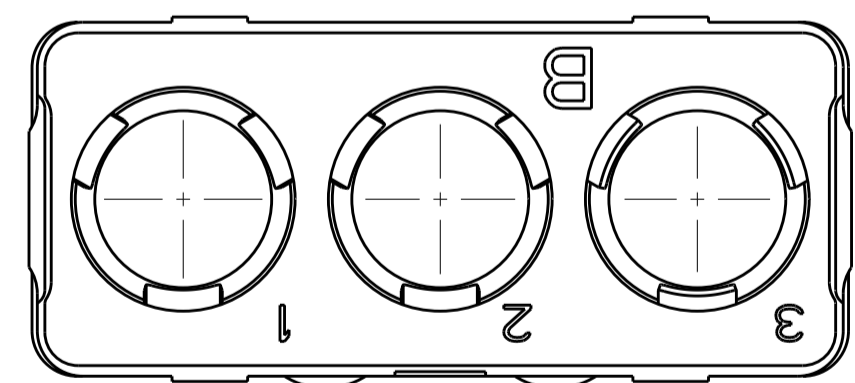
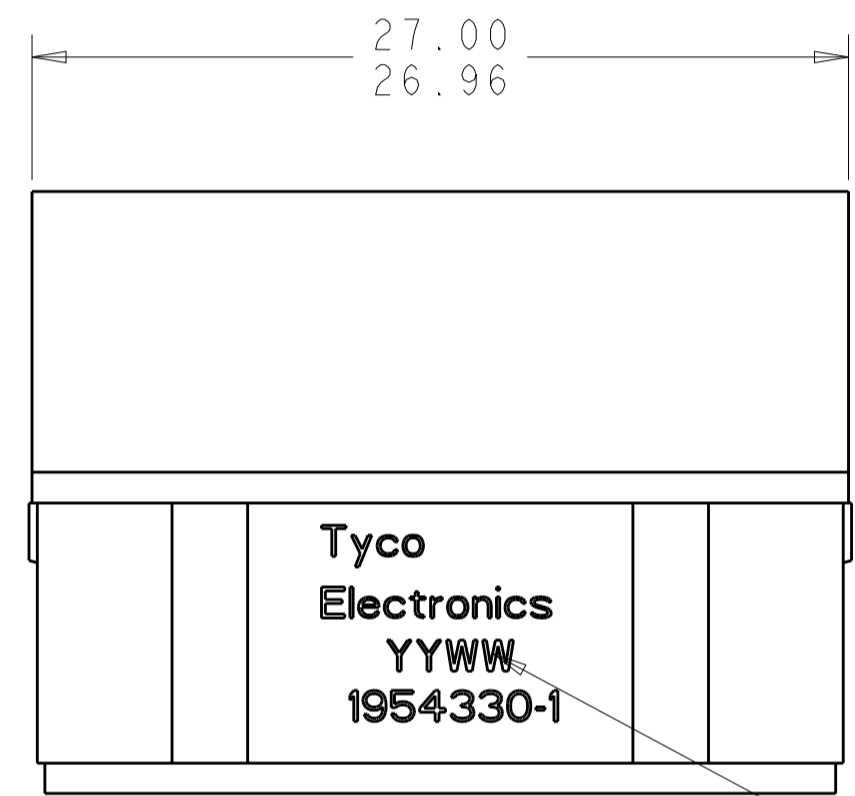
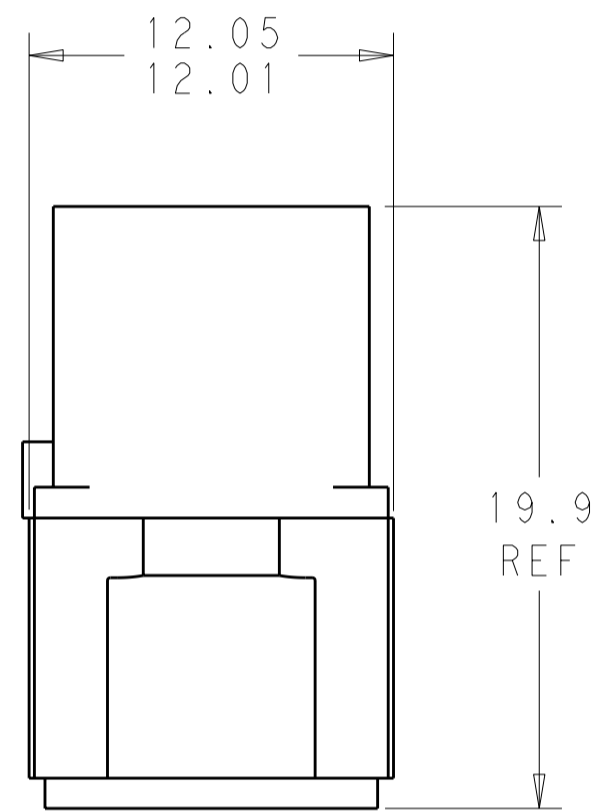


THIS DRAWING IS UNPUBLISHED. RELEASED FOR PUBLICATION 20  
 © COPYRIGHT 20 BY TYCO ELECTRONICS CORPORATION. ALL INTERNATIONAL RIGHTS RESERVED.

LOC		DIST		REVISIONS			
P	LTR	DESCRIPTION	DATE	DWN	APVD		
	A	INITIAL RELEASE	20OCT2010	CCT	K.H		



MATING FACE



① FRONT & REAR INSULATOR: HIGH-TEMP THERMOPLASTIC OR THERMOSET EPOXY PER ASTM D5948.  
 CONTACT RETENTION CLIPS: STAINLESS STEEL PER AISI 302 OR COPPER ALLOY PER ASTM B194

② DATE CODE: YEAR & WEEK (YY WW)

3. DESCRIPTIVE PART NUMBER GPRBNP3SB  
 THIS INSERT CONTAINS: 3 CAVITIES FOR SIZE 5 SOCKET POWER CONTACTS

4. THIS PRODUCT IS SOLD BY TYCO ELECTRONICS UNDER A LICENSE FROM RADIAL SA.

1954330-1  
 PART NUMBER

<small>THIS DRAWING IS A CONTROLLED DOCUMENT FOR TYCO ELECTRONICS CORPORATION. IT IS SUBJECT TO CHANGE AND THE CONTROLLING ENGINEERING ORGANIZATION SHOULD BE CONTACTED FOR THE LATEST REVISION.</small>		DWN CC THOMAS 20OCT2010	Tyco Electronics Corporation Harrisburg, PA 17105-3608	
DIMENSIONS: mm		CHK K HOGAN 20OCT2010	NAME INSERT ASSEMBLY, SOCKET, NON-ENVIRONMENTAL ARRANGEMENT P3, KEY B, GPRB	
		APVD K HOGAN 20OCT2010	SIZE A200779	
TOLERANCES UNLESS OTHERWISE SPECIFIED: 0 PLC ±- 1 PLC ±0.5 2 PLC ±0.13 3 PLC ±0.013 4 PLC ±0.0001 ANGLES ±- FINISH		PRODUCT SPEC - APPLICATION SPEC -	DRAWING NO C-1954330	
MATERIAL -		WEIGHT -	RESTRICTED TO -	
CUSTOMER DRAWING			SCALE 3:1	SHEET 1 OF 1 REV A