

THIS DRAWING IS UNPUBLISHED. RELEASED FOR PUBLICATION 20  
 © COPYRIGHT 20 BY TYCO ELECTRONICS CORPORATION. ALL INTERNATIONAL RIGHTS RESERVED.

LOC		DIST		REVISIONS			
P	LTR	DESCRIPTION	DATE	DWN	APVD		
	A	REV PER ECO 10-023337	11-16-10	CT	KH		

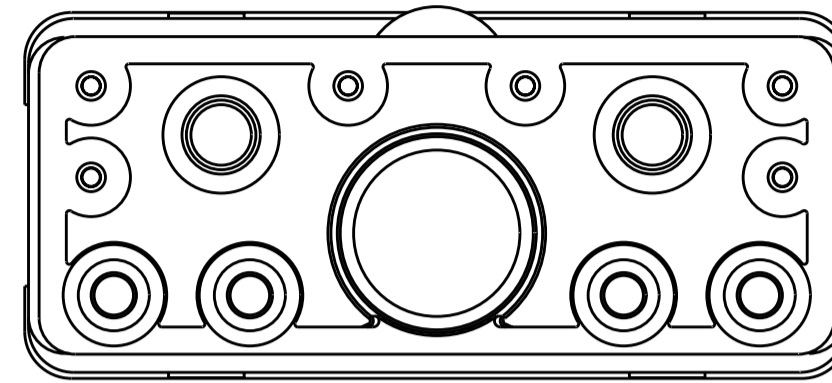
1 FRONT & REAR INSULATORS: HIGH-TEMP THERMOPLASTIC OR THERMOSET EPOXY PER ASTM D5948.  
 CONTACT RETENTION CLIPS: STAINLESS STEEL PER AISI 302 OR COPPER ALLOY PER ASTM B194  
 REAR GROMMET & INTERFACIAL SEAL : FLUROSILICONE ELASTOMER PER MIL-R-25988 B EXCEPT 4.6.6.1

2 DATE CODE: YEAR & WEEK (YY WW)

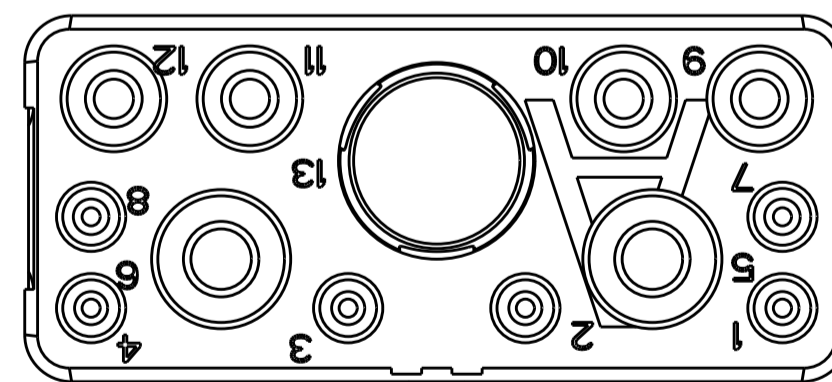
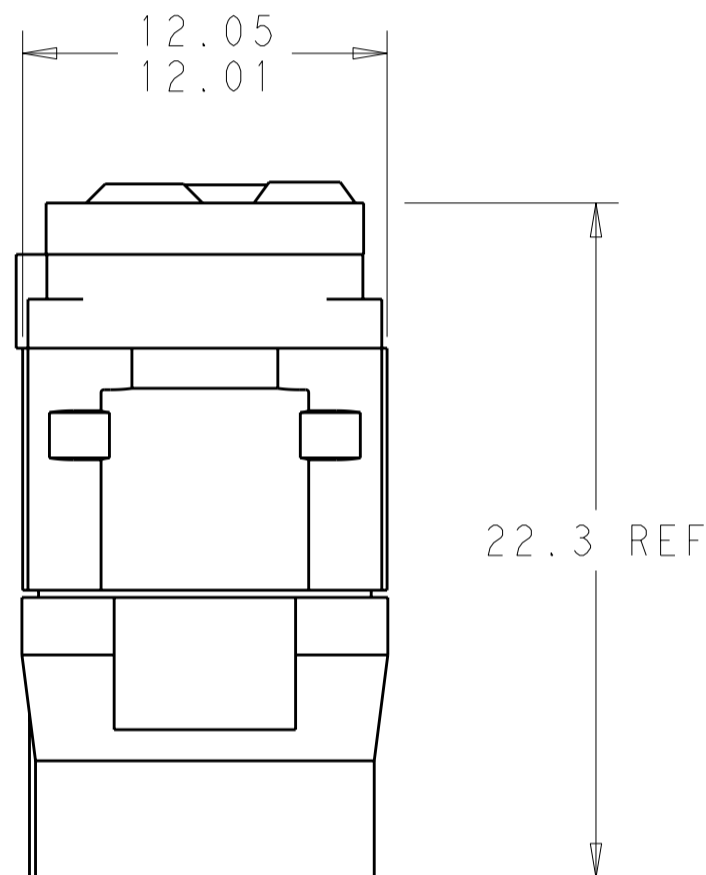
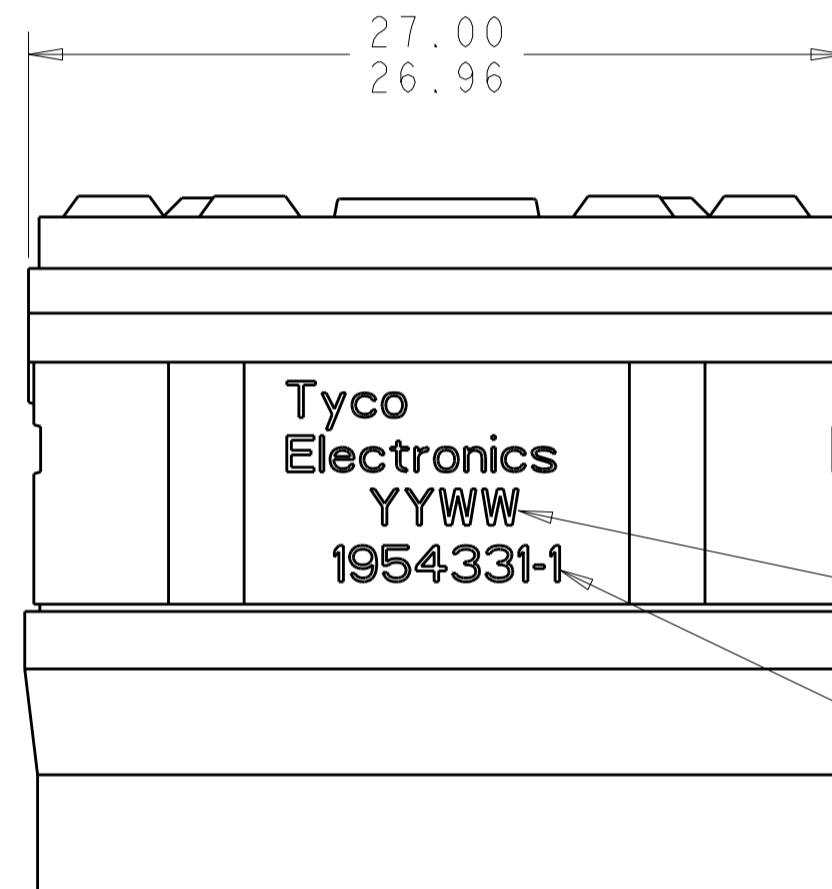
3 THE PART NUMBER MAY BE MARKED EITHER ON THE REAR INSULATOR OR GROMMET.

4. DESCRIPTIVE PART NUMBER: GPRBE13PIPA  
 THIS INSERT CONTAINS:  
 2 CAVITIES FOR SIZE 12 PIN CONTACTS, 1738017-1  
 4 CAVITIES FOR SIZE 16 PIN CONTACTS, 1738013-1  
 6 CAVITIES FOR SIZE 20 PIN CONTACTS, 1738011-1  
 1 CAVITY FOR SIZE 5 POWER PIN CONTACT, 1738019-1

5. THIS PRODUCT IS SOLD BY TYCO ELECTRONICS UNDER  
 A LICENSE FROM RADIALL SA.



MATING FACE



REAR FACE

1954331-1  
PART NUMBER

THIS DRAWING IS A CONTROLLED DOCUMENT FOR TYCO ELECTRONICS CORPORATION IT IS SUBJECT TO CHANGE AND THE CONTROLLING ENGINEERING ORGANIZATION SHOULD BE CONTACTED FOR THE LATEST REVISION.		DWN BH 18 JUN 2010	Tyco Electronics Corporation Harrisburg, PA 17105-3608	
DIMENSIONS: mm		CHK JPM 18 JUN 2010	NAME INSERT ASSEMBLY, PIN, ENVIRONMENTAL ARRANGEMENT 13P1, KEY A, GPRB	
TOLERANCES UNLESS OTHERWISE SPECIFIED: 0 PLC ±- 1 PLC ±0.5 2 PLC ±0.13 3 PLC ±0.013 4 PLC ±0.0001 ANGLES ±- FINISH		APVD JPM 18 JUN 2010	RESTRICTED TO	
MATERIAL		PRODUCT SPEC -	APPLICATION SPEC -	SIZE A200779
		WEIGHT -	CAGE CODE C-1954331	DRAWING NO 1954331
		CUSTOMER DRAWING	SCALE 3:1	SHEET 1 OF 1
			REV A	