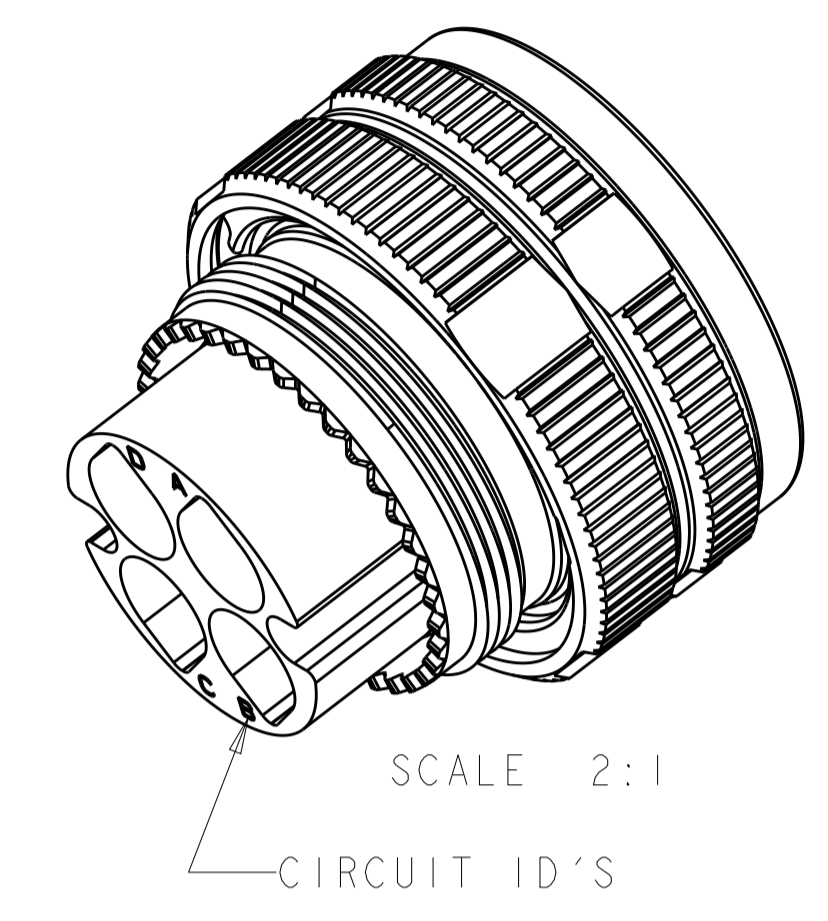
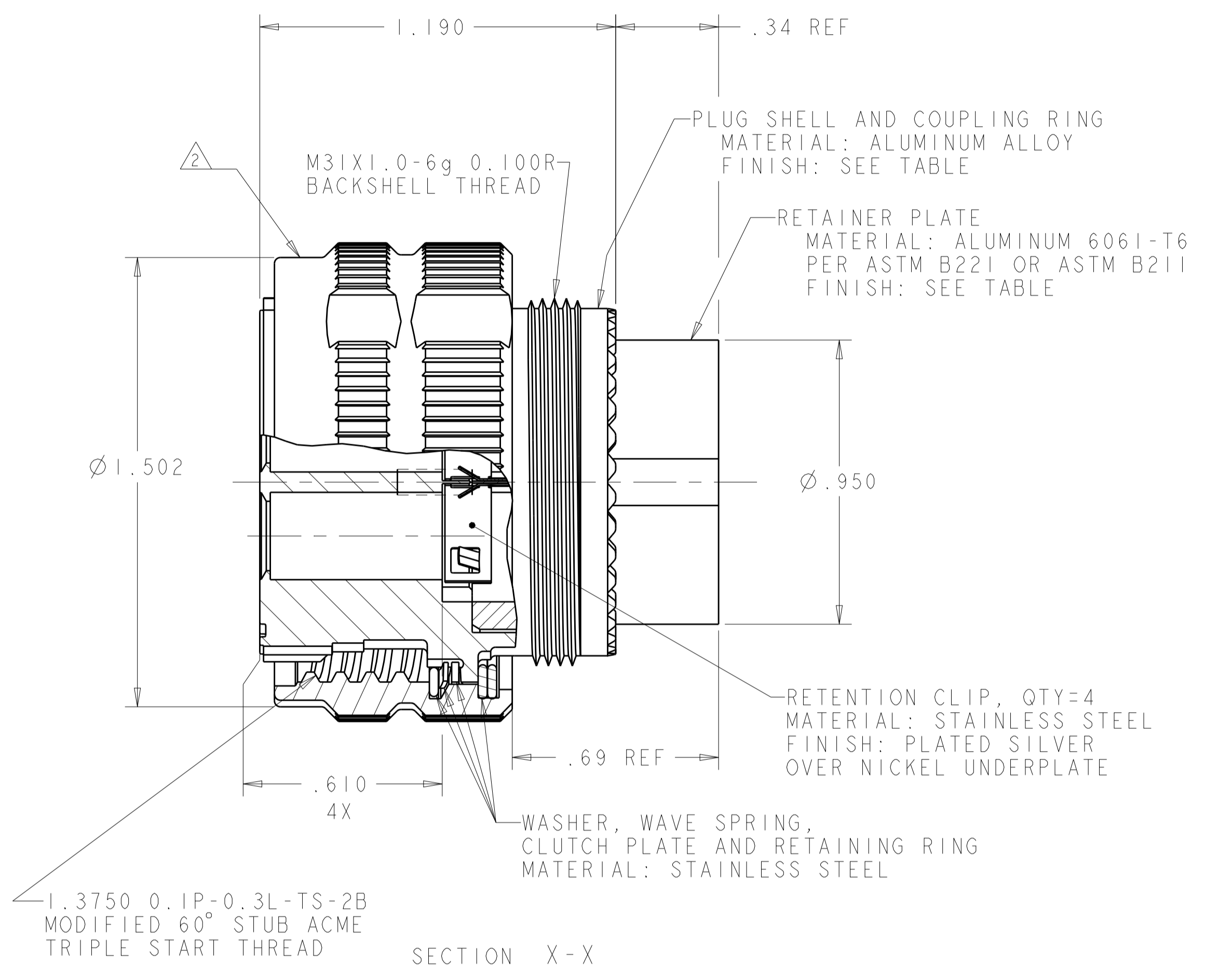
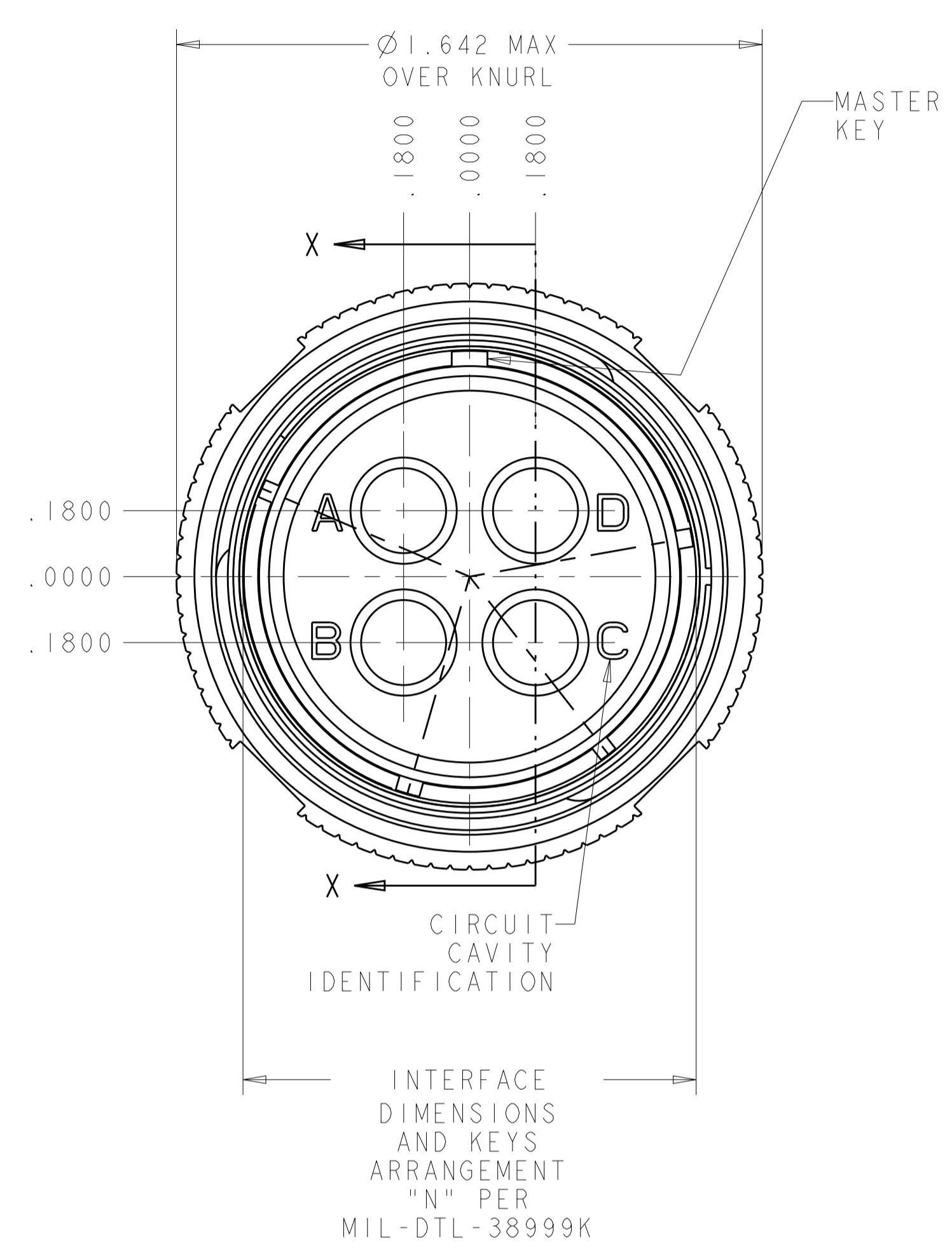


REVISIONS				
P.	LTM	DESCRIPTION	DATE	OWN APVD
C		REV PER ECO 18-008517	8-13-18	CT DM



- THIS CONNECTOR ACCEPTS TYCO ELECTRONICS QUADRAX SOCKET ASSEMBLY; PART NUMBER 1445693-3 OR 1877040-2.
- PART IS MARKED WITH TYCO ELECTRONICS PART NO. (SEE TABLE), TYCO ELECTRONICS LOGO OR TE, TYCO ELECTRONICS CAGE CODE, AND DATE CODE.
- OPERATING TEMPERATURE RANGE: -65°C TO +125°C (-85°F TO +257°F).
- THE CONNECTOR QUALIFICATION WAS COMPLETED PER TYCO ELECTRONICS 108-2199. THE QUADRAX CONTACTS ARE QUALIFIED PER TYCO ELECTRONICS 108-2131. THE REFERENCE TEST REPORTS ARE TYCO ELECTRONICS 501-660 FOR THE CONNECTOR AND 501-574 FOR THE CONTACTS WHICH ARE SAME AS ARINC 600-13, DRAFT 2 OF SUPPLEMENT 14 (AIR TRANSPORT AVIONICS EQUIPMENT INTERFACES).
- 1 THRU -6 AND -10 THRU -12 MEET PERFORMANCE REQUIREMENTS OF TE CONNECTIVITY PRODUCT SPECIFICATION 108-2199; QUALIFICATION TEST REPORT 501-660.
- 7 THRU -9 AND -13 THRU -15 MEET PERFORMANCE REQUIREMENTS OF TE CONNECTIVITY PRODUCT SPECIFICATION 108-2199; QUALIFICATION TEST REPORT 501-660 EXCEPT SHELLS SUBJECTED TO 5% SALT CONCENTRATION FOR 96 HRS.
- FINISH: ELECTROLESS NICKEL PER AMS2404.
- FINISH: OLIVE DRAB CADMIUM OVER NICKEL PLATE PER SAE AMS-QQ-P-416.

6	8	--	B	1-1954354-5
6	8	--	A	1-1954354-4
6	8	--	N	1-1954354-3
5	7	1877040-2	B	1-1954354-2
5	7	1877040-2	A	1-1954354-1
5	7	1877040-2	N	1-1954354-0
6	8	1445693-3	B	1954354-9
6	8	1445693-3	A	1954354-8
6	8	1445693-3	N	1954354-7
5	7	-	B	1954354-6
5	7	-	A	1954354-5
5	7	-	N	1954354-4
5	7	1445693-3	B	1954354-3
5	7	1445693-3	A	1954354-2
5	7	1445693-3	N	1954354-1
REMARKS	SHELL FINISH	QUADRAX CONTACT QTY=4	SHELL KEYING ARRANGEMENT	PART NUMBER

THIS DRAWING IS A CONTROLLED DOCUMENT. DWG: R FLAIG 31AUG2006. CHK: L OH 31AUG2006. APVD: L OH 31AUG2006.

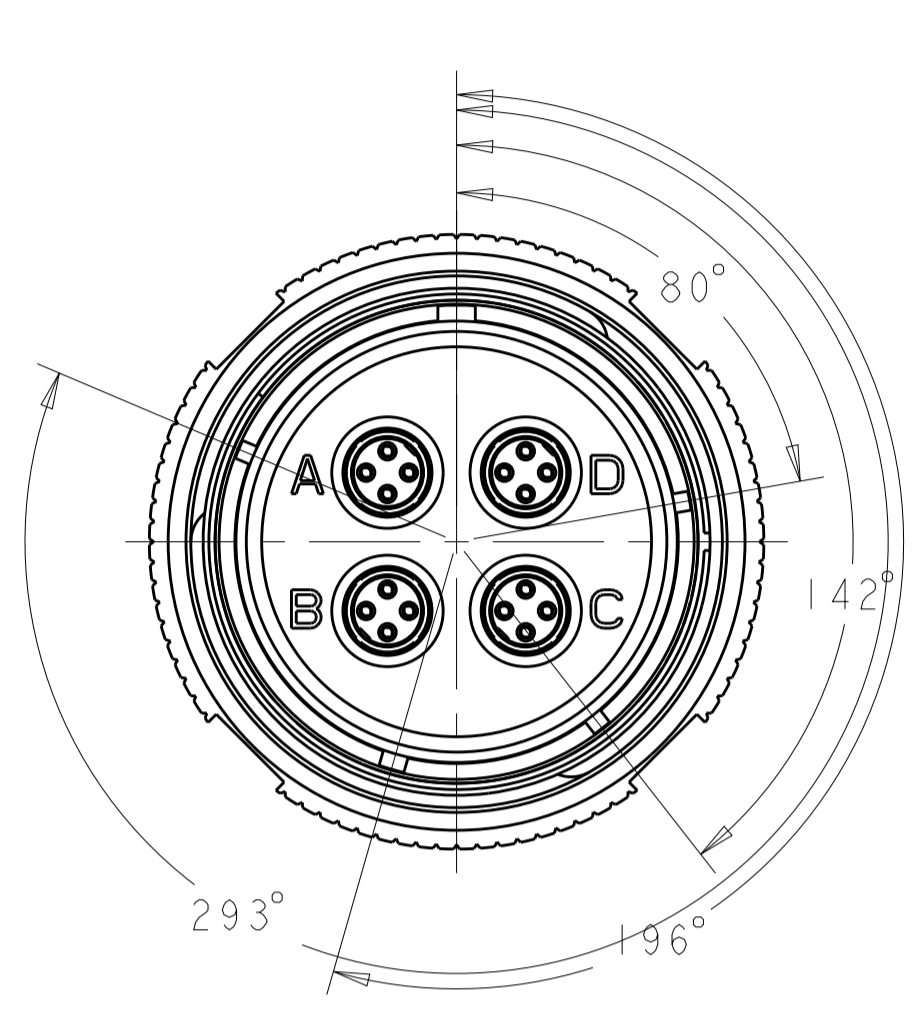
STE TE Connectivity

NAME: ASSY, PLUG, SIZE 21, 404, M38999 STYLE

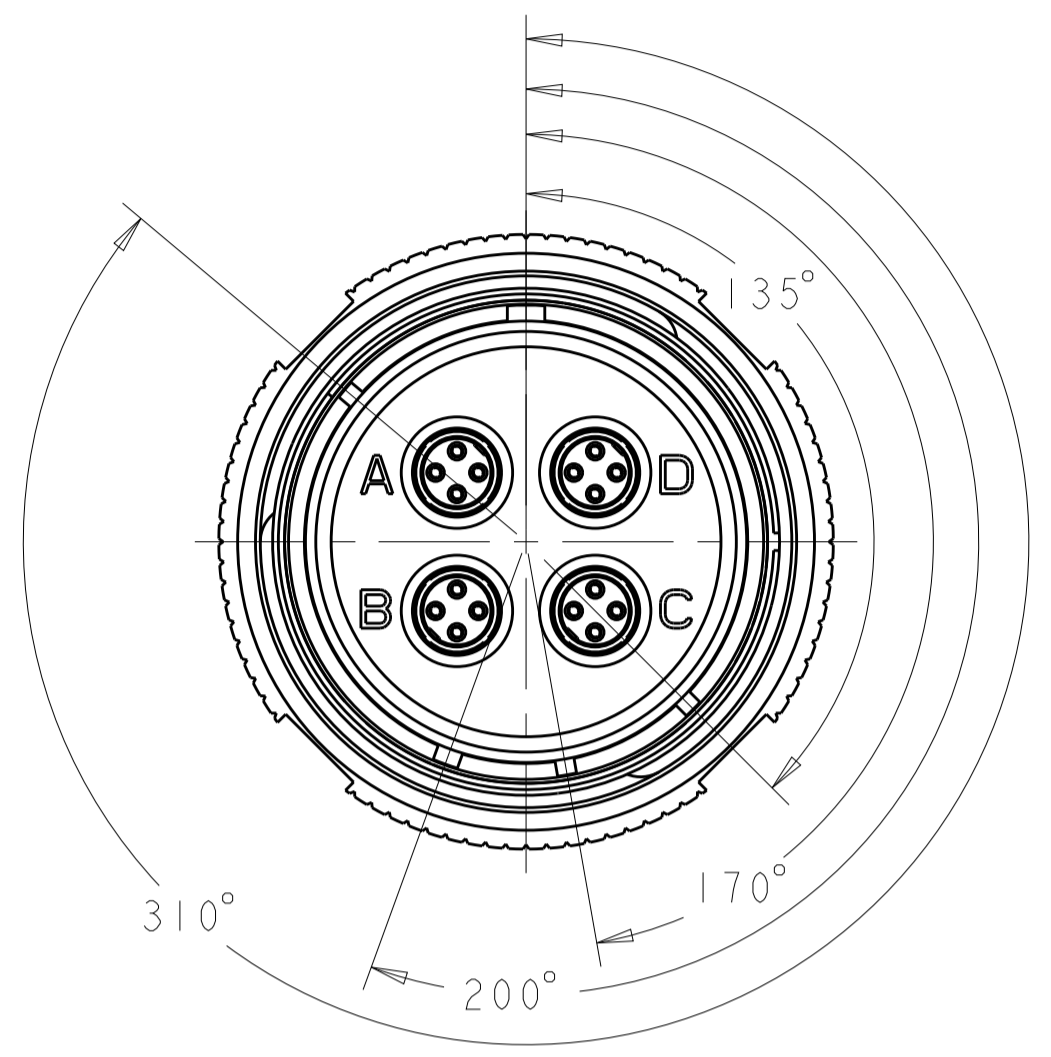
SIZE: A1 CAGE CODE: 1954354 DRAWING NO: 100779

RESTRICTED TO: CUSTOMER DRAWING. SCALE: 3:1. SHEET 1 OF 2. REV C.

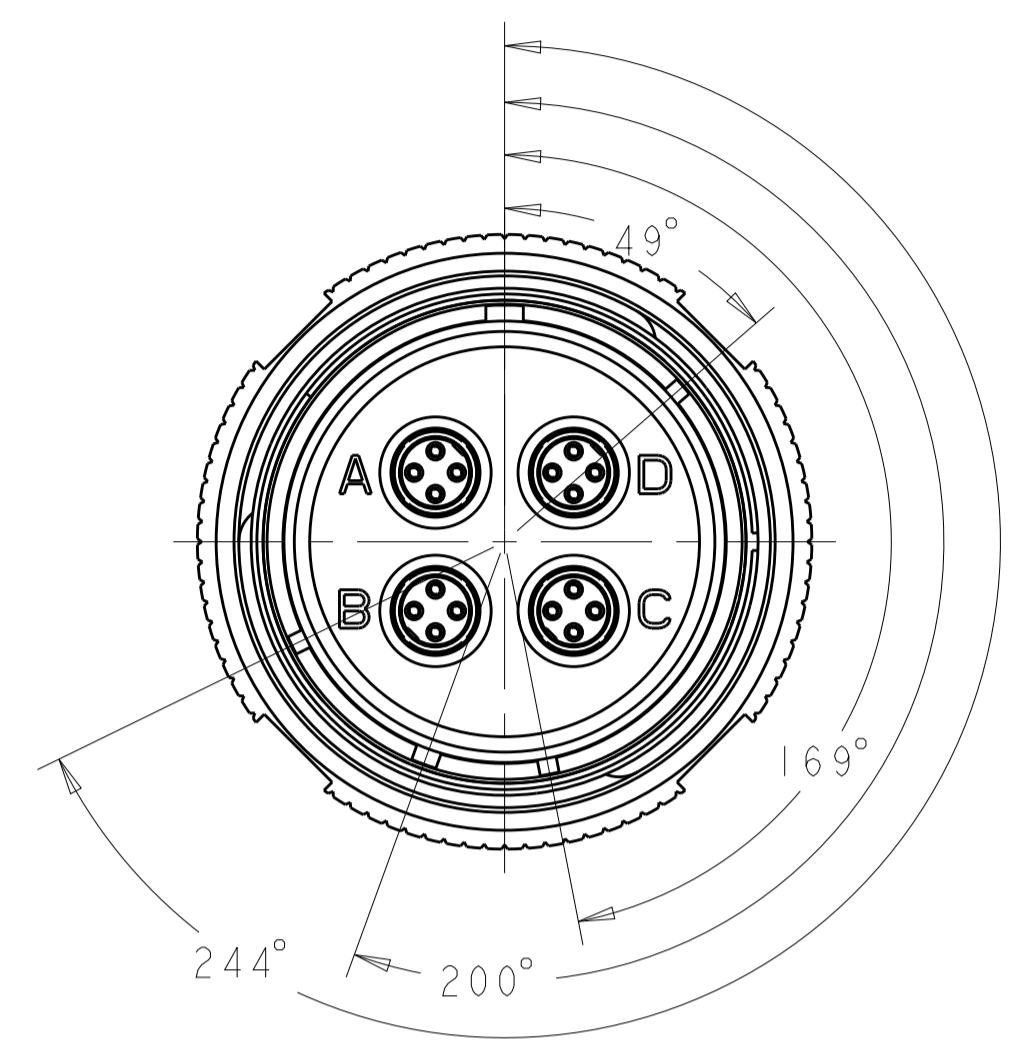
REVISIONS				
P.	LTN	DESCRIPTION	DATE	APVD
-	-	SEE SHEET 1	-	-



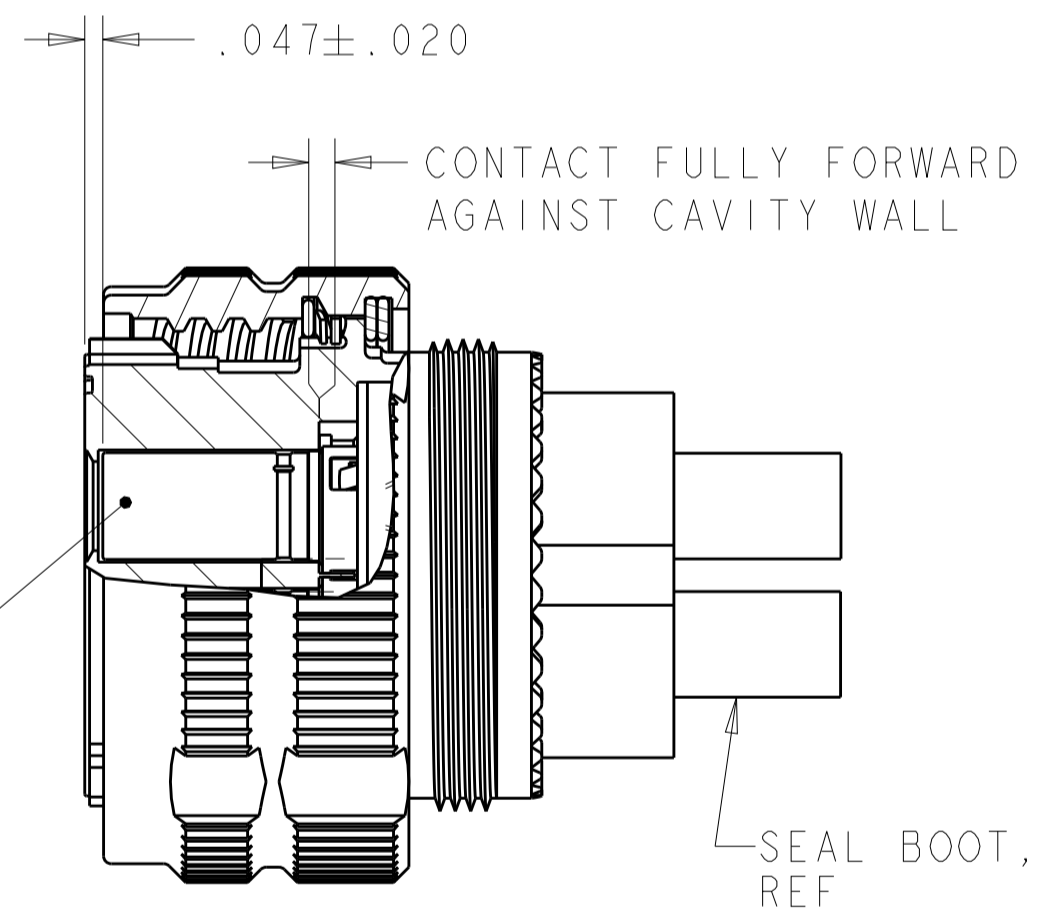
1811599-1
"N" KEY POLARIZATION



1811599-2
"A" KEY POLARIZATION

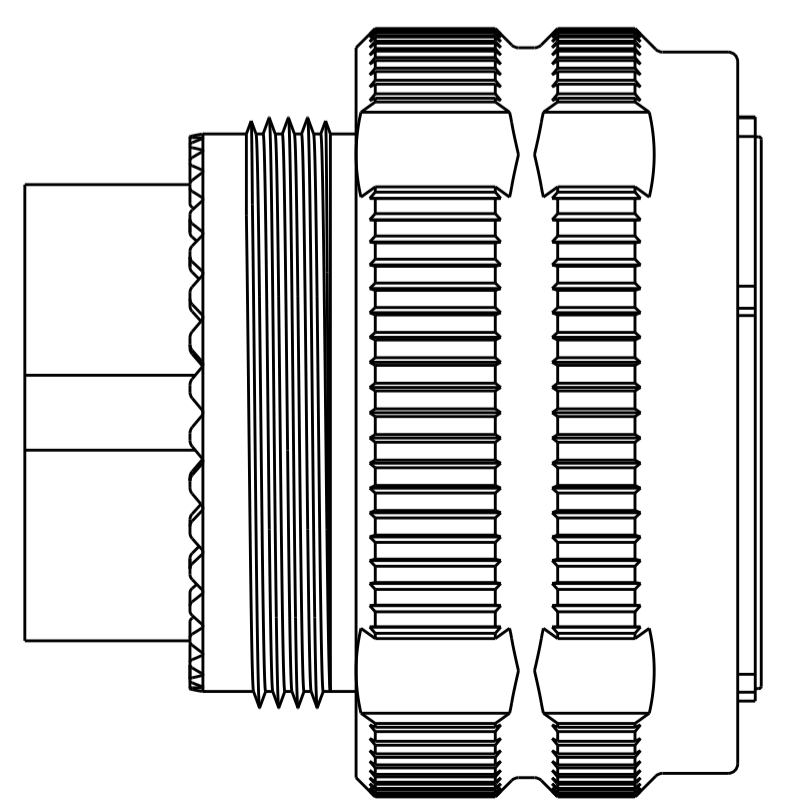
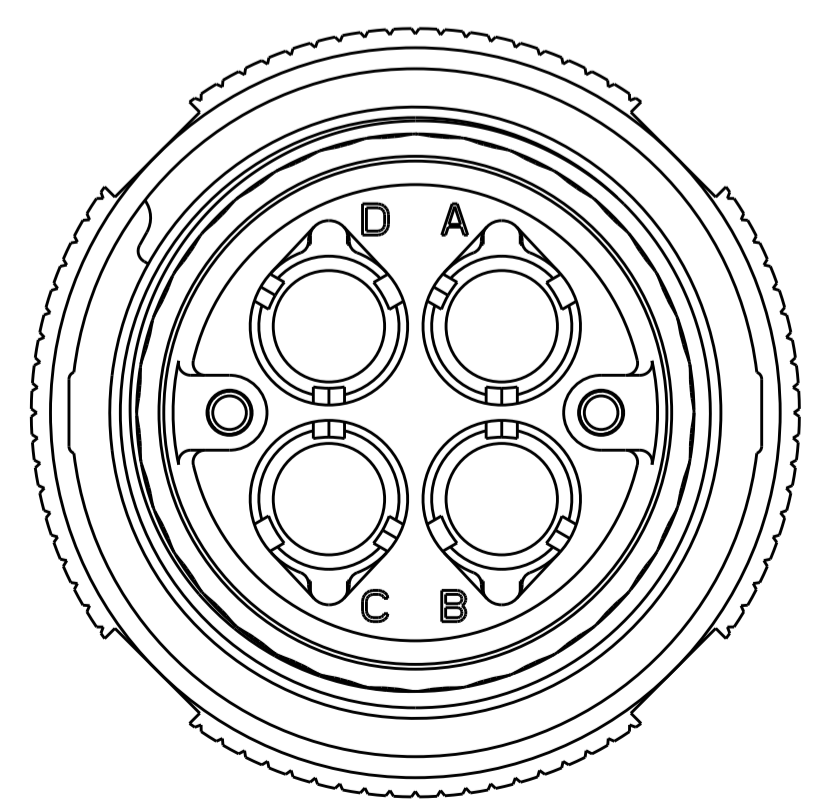


1811599-3
"B" KEY POLARIZATION



QUADRAX SOCKET ASSY, SHOWN FOR REF ONLY
CONTACT PROVIDED UN-ASSEMBLED ON
SELECT PART NUMBERS (SEE TABLE ON SHEET #1)

SECTION X-X
SCALE 2:1



THIS DRAWING IS A CONTROLLED DOCUMENT.		OWN: R FLAIG 02AUG2005	TE Connectivity
DIMENSIONS: INCHES		CHK: 02AUG2005	
		APVD: 02AUG2005	
TOLERANCES UNLESS OTHERWISE SPECIFIED: 0 PLC ±. 1 PLC ±.1 2 PLC ±.01 3 PLC ±.005 4 PLC ±.0020 ANGLES ±1°		NAME: ASSY, PLUG, SIZE 21, 404, M38999 STYLE PRODUCT SPEC: - APPLICATION SPEC: - SIZE: CAGE CODE: DRAWING NO: A100779 ©=1954354 WEIGHT: - MATERIAL: material_2 FINISH: finish_spec_2	
CUSTOMER DRAWING		SCALE: 3:1	RESTRICTED TO: C