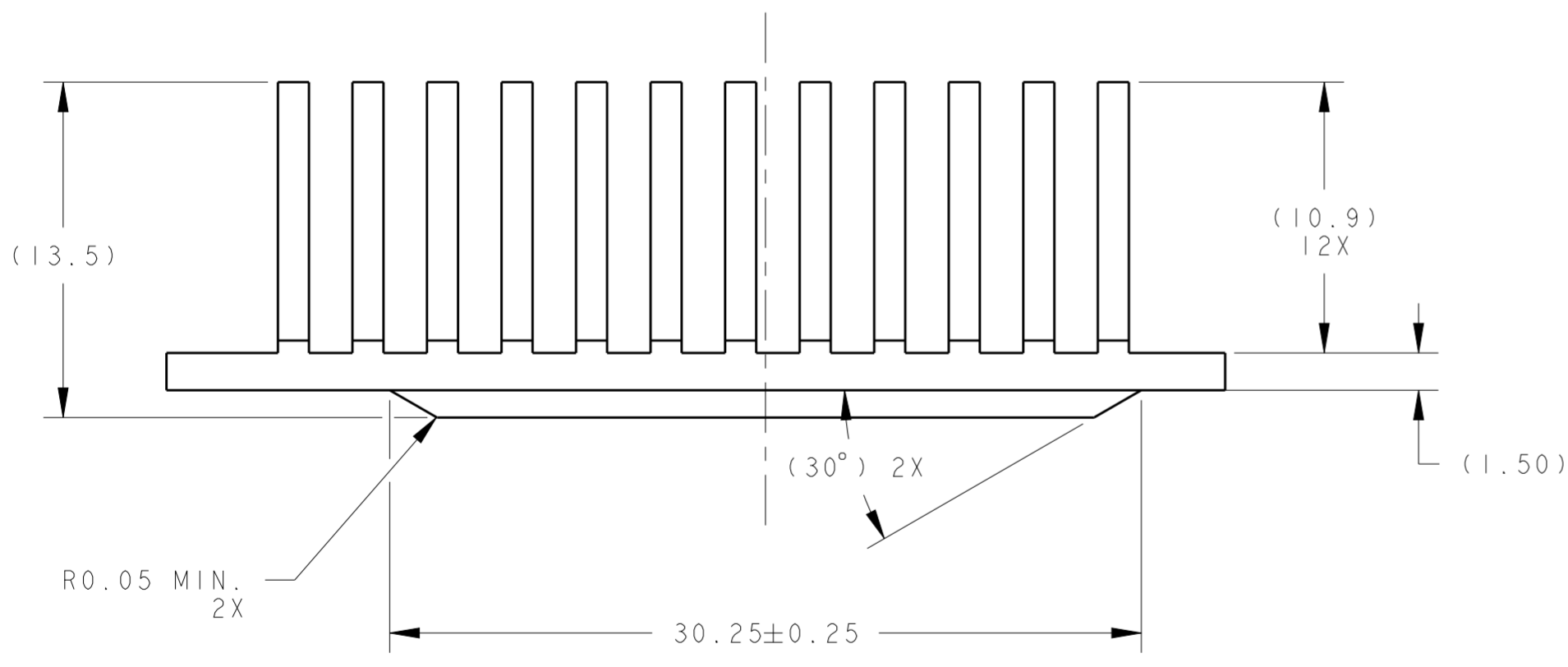
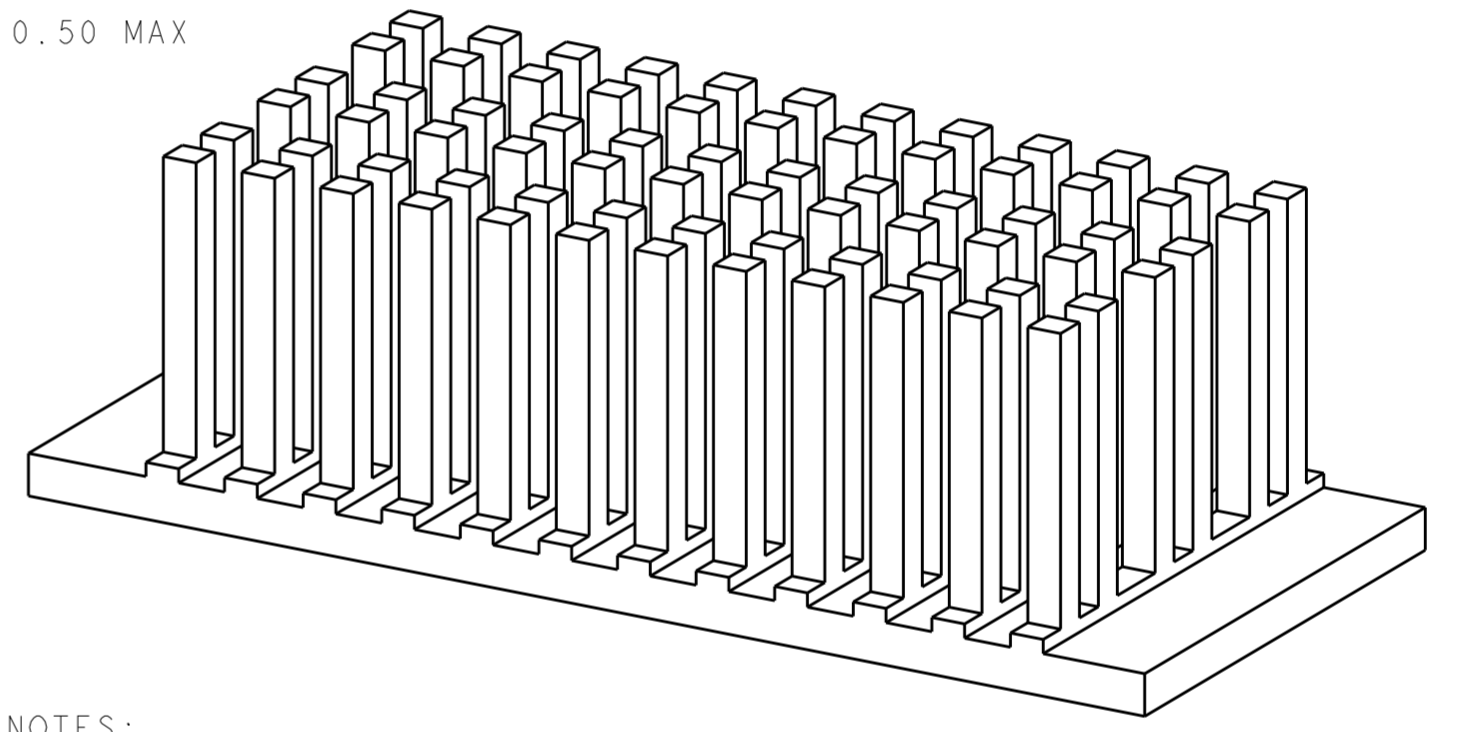
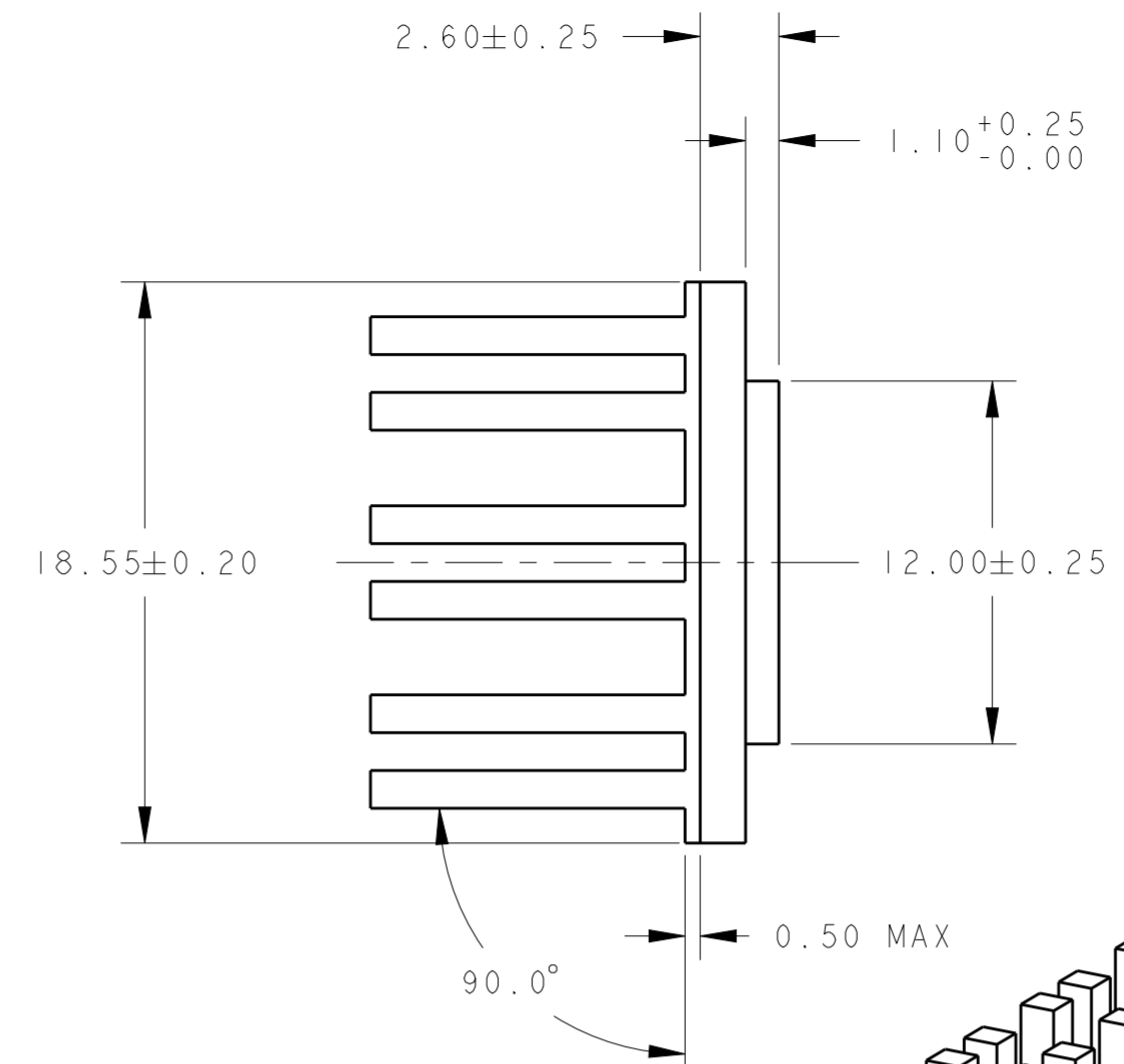
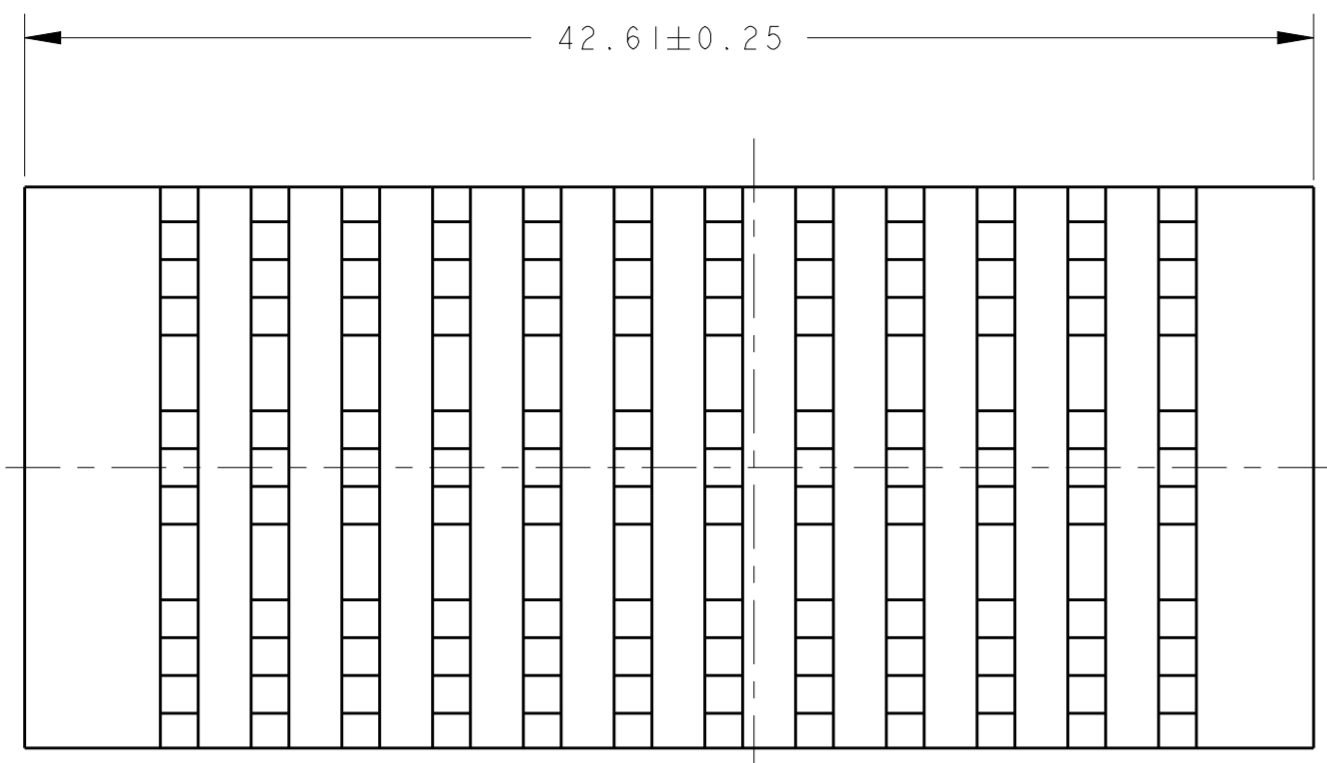


THIS DRAWING IS UNPUBLISHED. RELEASED FOR PUBLICATION 20
 © COPYRIGHT 20 BY - ALL RIGHTS RESERVED.

LOC	DIST	REVISIONS			
P	LTR	DESCRIPTION	DATE	DWN	APVD
AD	00				
	A1	REVISED PER ECO-10-001873	19FEB2010	DH	JE
	B	REVISED PER ECO-12-005533	23MAR2012	JY	AC
	C	REVISED PER ECO-13-001969	31MAY2013	RG	AC



NOTES:

- UNLESS OTHERWISE SPECIFIED
- 1. INTERPRET DRAWING PER ASME Y14.5M - 1994.
- 2. 0,2mm MAX BURR.
- 3. VARIATION IN PLATING COLOR IS NORMAL AND ALLOWED.
- 4. RoHS COMPLIANT AND CERTIFIED.

BLACK ANODIZED	ALUMIMUM	1963840-4
NICKEL PLATED	ALUMIMUM	1963840-2
FINISH	MATERIAL	PART NUMBER

THIS DRAWING IS A CONTROLLED DOCUMENT.		DWN E. TAO 6-17-08	TE Connectivity	
		CHK B. PETROCELLI 6-23-08		
DIMENSIONS: mm		APVD -		NAME
TOLERANCES UNLESS OTHERWISE SPECIFIED:		PRODUCT SPEC -		GANGED QFSP LAN EXTRUSION HEATSINK 13.5mm TALL
0 PLC ±-		APPLICATION SPEC -		SIZE
1 PLC ±0.5		WEIGHT -		CAGE CODE
2 PLC ±0.25		CUSTOMER DRAWING		DRAWING NO
3 PLC ±-		SCALE 4:1		RESTRICTED TO
4 PLC ±-		SHEET 1 OF 1		
ANGLES ±8°		REV C		
FINISH				
SEE TABLE	SEE TABLE			